

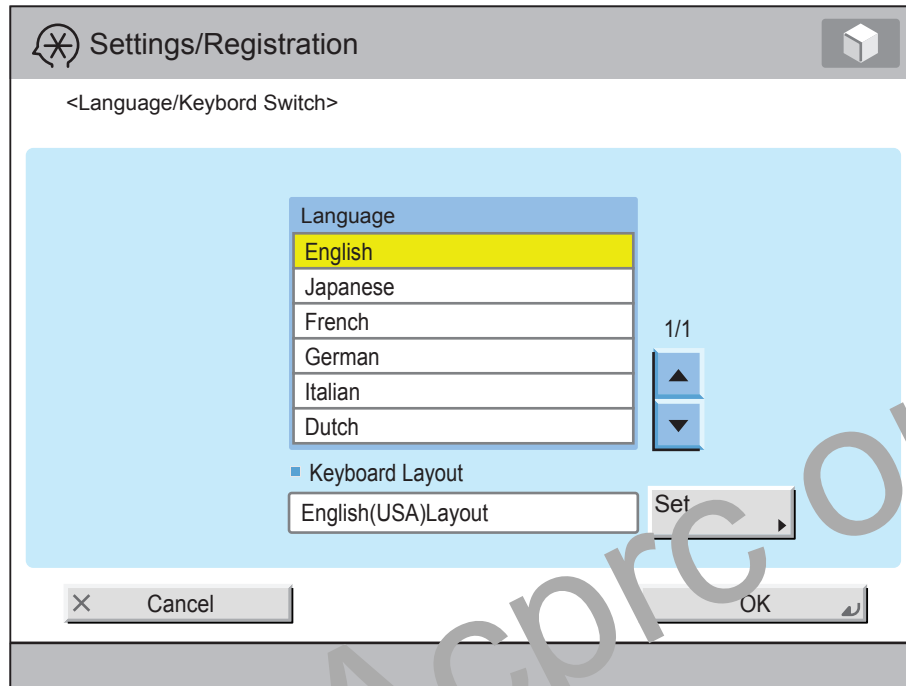
Language switch

The language of the explanatory text displayed in the Service Mode can be switched by performing the below language switch operation in User Mode

The explanatory text can be displayed by installing the Service Mode Content (SCMNT) in HDD.

Service Mode Content (SCMNT) can be installed and upgraded on SST.

Additional Functions > Common Settings > Language Switch



F-8-9

NOTE :

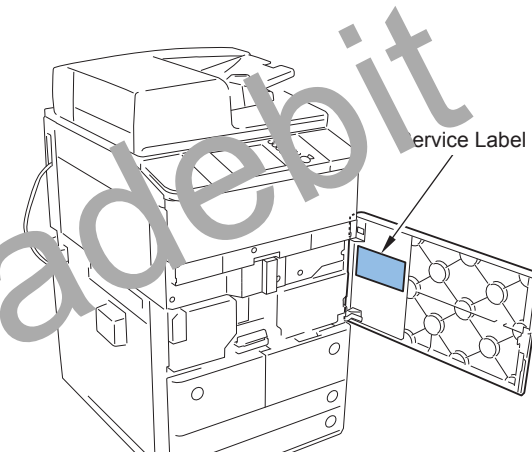
If the Service Mode Content (SCMNT) of the concerned language is not installed, English explanatory text will be displayed.

If English-language Service Mode Content (SMCNT) is not installed either, explanatory text can't be displayed.

Back-up of service mode

In factory setting, adjustments are made for each machine, and adjustment values are written in the service label.

When you replaced the DC controller PCB, or executed the RAM clear function, adjustment values for ADJUST or OPTION return to default. Therefore, when you made adjustments and changed values of the Service Mode in the field, be sure to write down the changed values in the service label. When there is no relevant field in the service label, write down the values in a blank field.

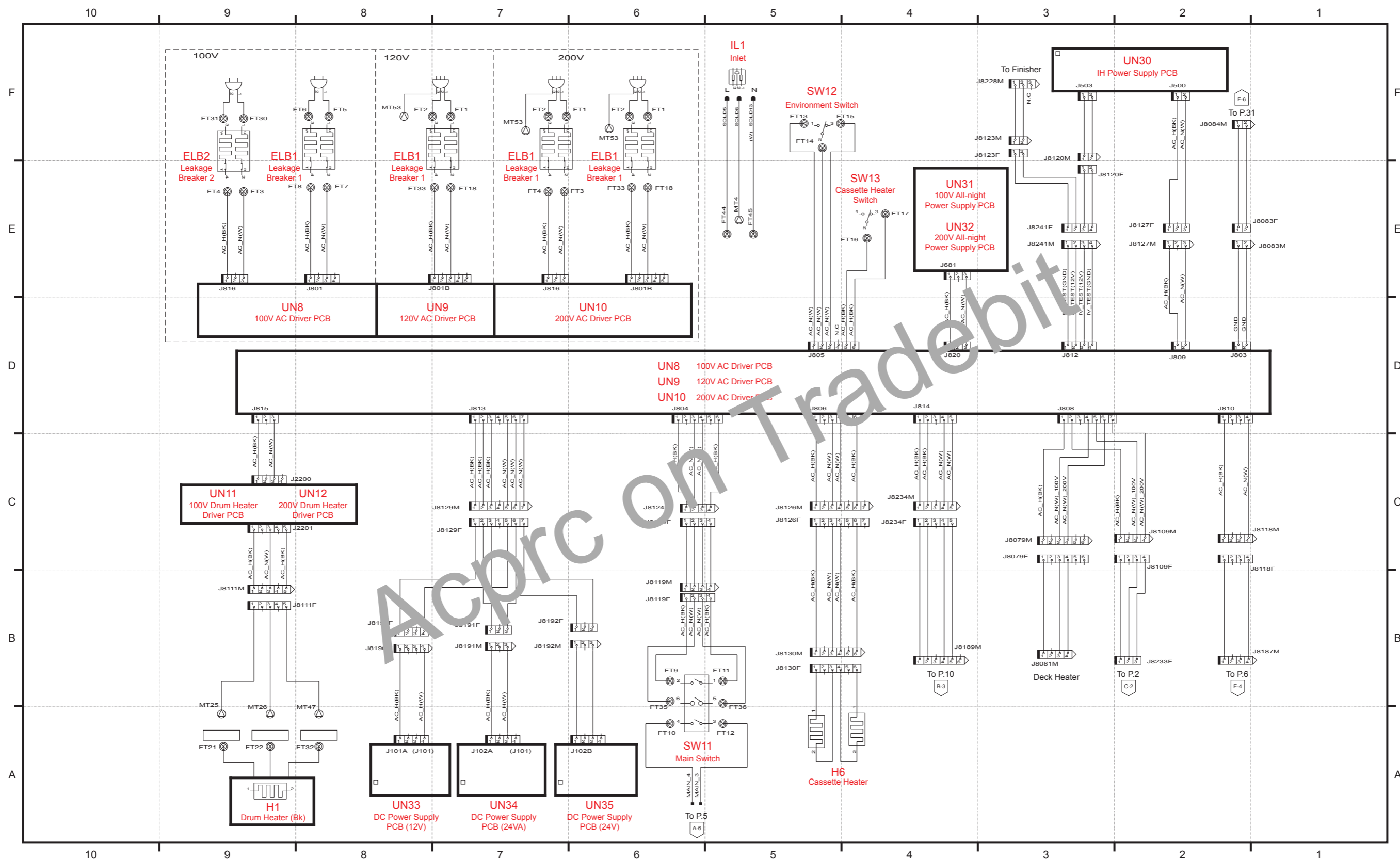


F-8-10

This is an example of the quality of the manual you will get

General Circuit Diagram

General Circuit Diagram (1/31)



P.1

Appendix > General Circuit Diagram > General Circuit Diagram (1/31)

Appendix > General Circuit Diagram > General Circuit Diagram (1/31)

Cleaning the Patch Sensor Unit

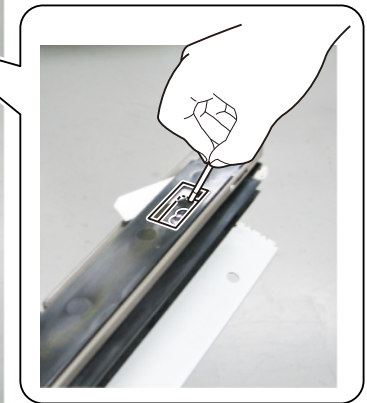
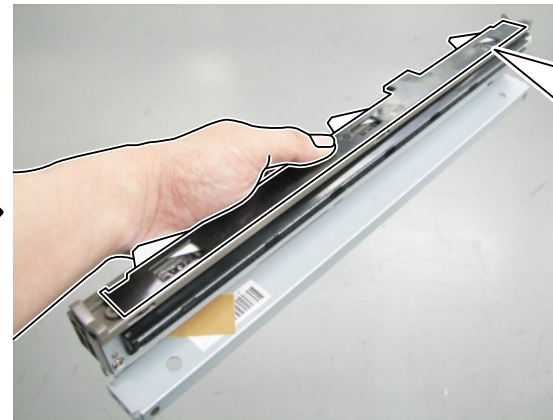
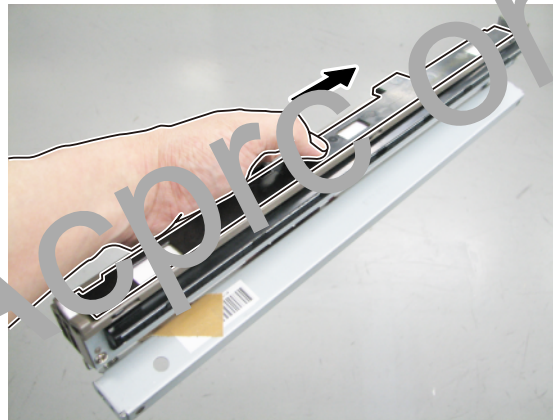
<Advance Preparation>

1. Open the Front Cover.
2. Remove the ITB Unit.
(Refer to page 4-188)
3. Open the Process Unit Inner Cover.
(Refer to "Removing the Developing Assembly (Y) / (M) / (C) and the Drum Unit (Y) / (M) / (C)")
4. Remove the Primary Charging Assembly.
(Refer to page 4-143)
5. Remove the Pre-transfer Charging Assembly.
(Refer to page 4-162)
6. Note when handling the Photosensitive Drum Unit
(Refer to page 4-170)
7. Remove the Drum Unit (Bk).
(Refer to page 4-171)
8. Remove the Patch Sensor Unit.
(Refer to page 4-229)

- 1) Open the Shutter and wipe the surface of the Patch Sensor with a cotton swab (moistened with water and then squeeze tightly) in one direction to clean. After cleaning, check that no toner soil is found on the surface of the sensor.

Caution:

- Do not use alcohol because the sensor window becomes clouded (due to chemical attack).
- Do not use dry cloth for cleaning because the sensor window is charged which can attract toner.



F-4-328

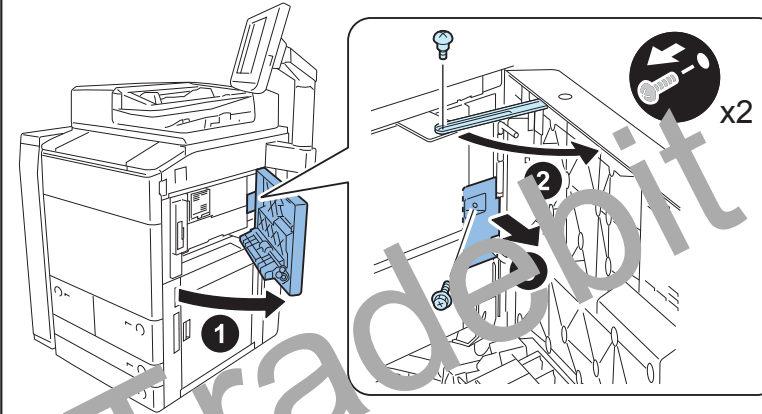
Removing the Drum Thermopile

<Advance Preparation>

1. Open the Front Cover.
2. Remove the ITB Unit.
(Refer to page 4-188)
3. Open the Process Unit Inner Cover.
(Refer to "Removing the Developing Assembly (Y) / (M) / (C) and the Drum Unit (Y) / (M) / (C)")
4. Remove the Primary Charging Assembly.
(Refer to page 4-143)
5. Remove the Pre-transfer Charging Assembly.
(Refer to page 4-162)
6. Note when handling the Photosensitive Drum Unit.
(Refer to page 4-170)
7. Remove the Drum Unit (Bk).
(Refer to page 4-171)
8. Remove the Primary Charging Rail.
(Refer to the advance preparation in this section.)

8. Remove the Primary Charging Rail

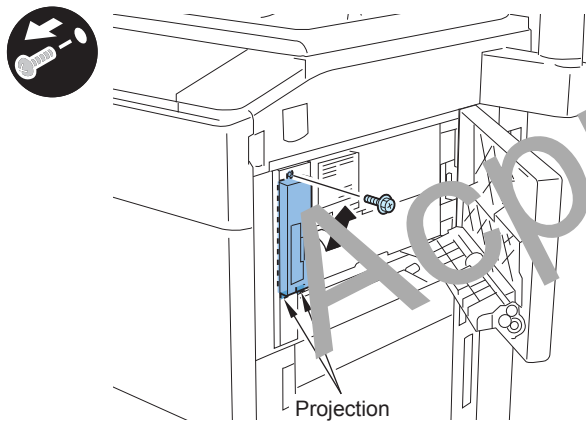
- 8-1) Open the Multi-purpose Tray Cover and remove the Connector Cover.
- 1 screw



F-4-343

8-2) Remove the Multi Door Switch Cover.

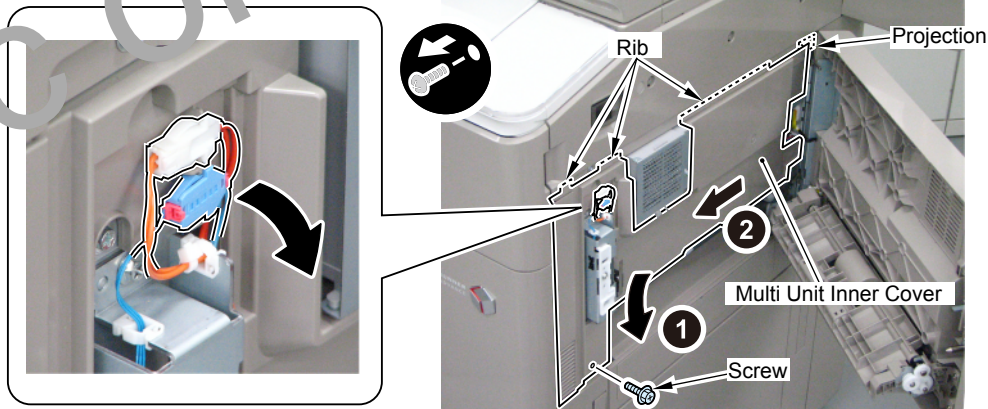
- 1 screw
- 2 projections



F-4-344

8-3) Remove the Multi Unit Inner Cover.

- 2 relay connectors
- 1 screw
- 1 projection



F-4-345

Cleaning and lubrication in the Pressure Belt Unit replacement

<Advance preparation>

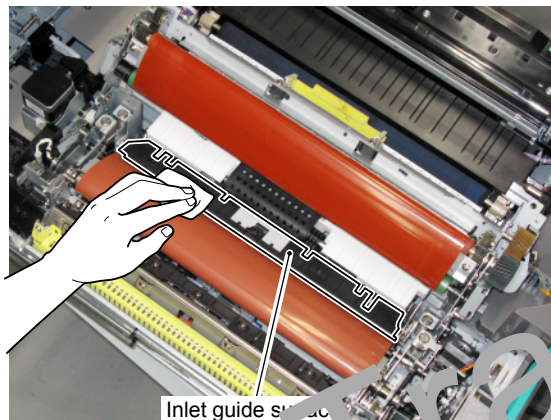
1. Open the Front Cover.
2. Pull out the Fixing Feed Unit.
(Refer to "Removing the Fixing Belt Unit")
3. Remove the Fixing Feed Unit Inner Cover (Left).
(Refer to "Removing the Fixing Belt Unit")
4. Remove the Fixing Upper Cover.
(Refer to "Removing the Fixing Belt Unit")
5. Remove the IH Unit.
(Refer to "Removing the Fixing Belt Unit")
6. Remove the Fixing Belt Displacement Control Motor Unit.
(Refer to "Removing the Fixing Belt Unit")
7. Open the Fixing Belt Unit.
(Refer to "Removing the Pressure Belt Unit")
8. Remove the Fixing Lower Unit.
(Refer to "Removing the Pressure Belt Unit")
9. Remove the Pressure Belt Displacement Control Motor Unit.
(Refer to "Removing the Pressure Belt Unit")
10. Remove the Pressure Belt Unit.
(Refer to page 4-312)

Caution:

When replacing the Pressure Belt Unit, perform the cleaning and the lubrication for the following parts.

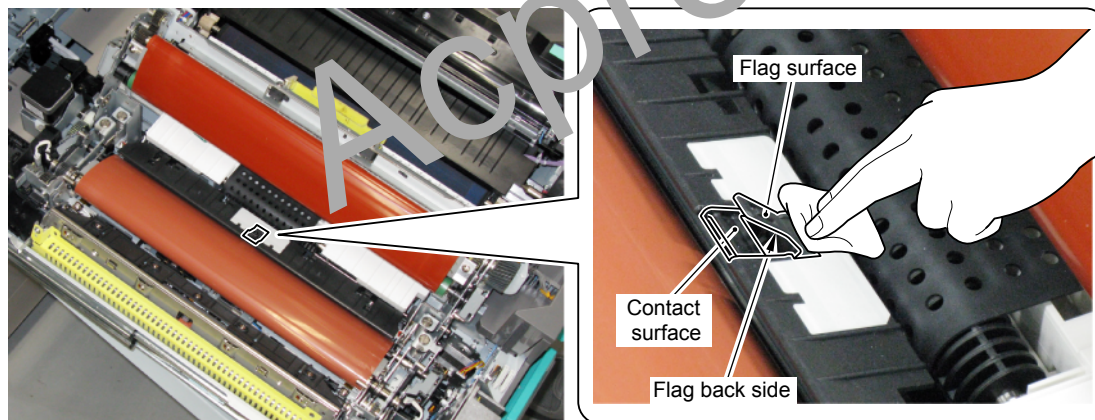
<Procedure>

- 1) Clean the surface of the Fixing Inlet Guide with an alcohol-soaked lint-free paper.



F-4-538

- 2) Clean the contact surface between the surface of the sensor flag and the Fixing Inlet Guide with an alcohol-soaked lint-free paper.



F-4-539