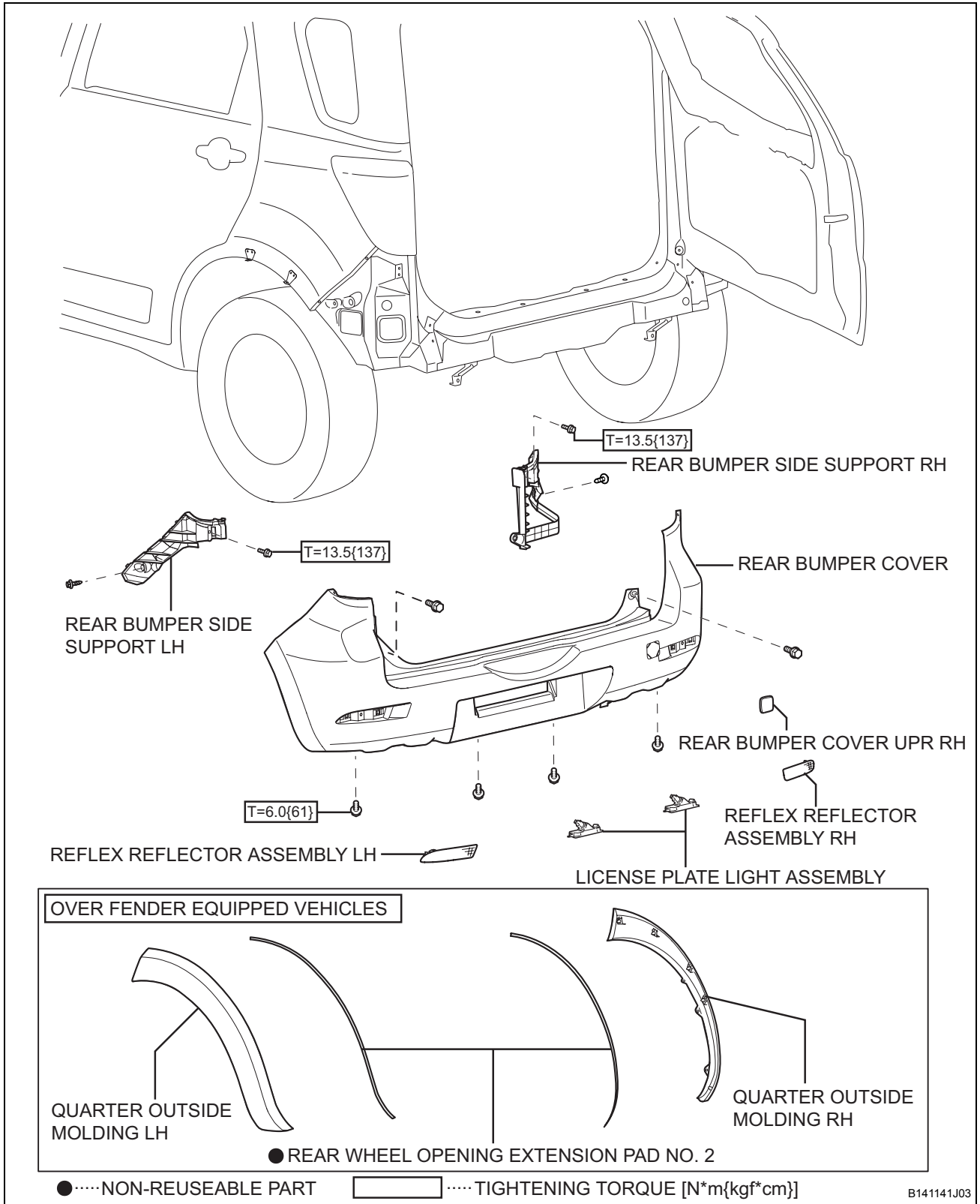


REAR BUMPER COMPONENTS

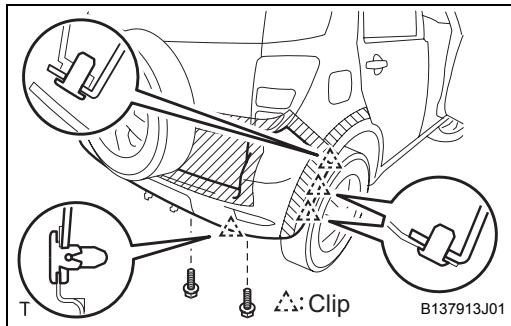
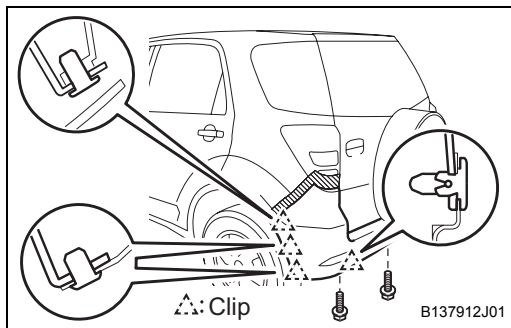


ET

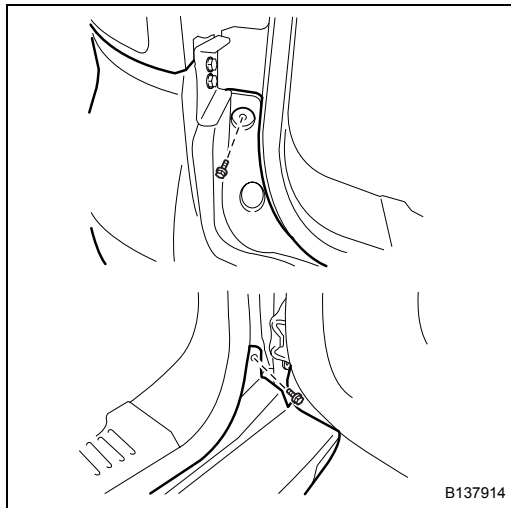


REMOVAL

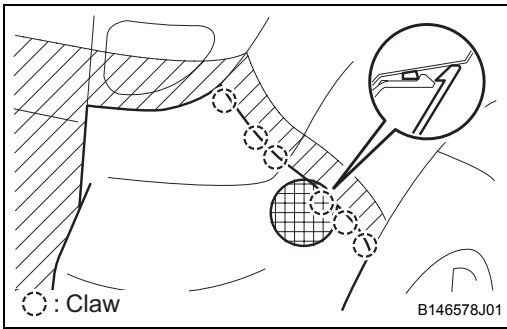
1. REMOVE LICENSE PLATE LIGHT ASSEMBLY
2. REMOVE QUARTER OUTSIDE MOULDING LH (VEHICLES WITH OVER FENDER) (See page ET-30)
3. REMOVE QUARTER OUTSIDE MOULDING RH (VEHICLES WITH OVER FENDER)
4. REMOVE OUTSIDE MOULDING CLIP NO. 4 (VEHICLES WITH OVER FENDER) (See page ET-30)
5. REMOVE REAR WHEEL OPENING EXTENSION PAD NO. 2 (VEHICLES WITH OVER FENDER) (See page ET-30)
6. REMOVE LICENSE PLATE BRACKET BASE
 - (a) Remove the 2 bolts and the license plate bracket base.
7. REMOVE REAR BUMPER COVER
 - (a) Apply protective tape as shown in the illustration.



- (b) Remove the 4 clips and the 2 bolts on the right and left side.



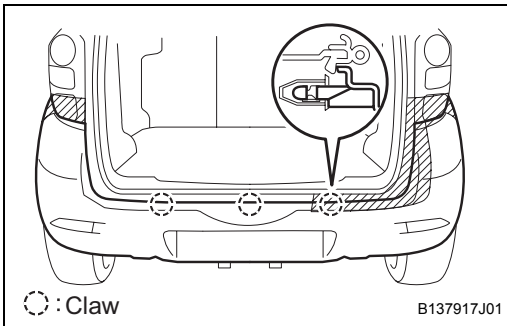
- (c) Remove the 2 bolts.



- (d) With the rear bumper cover pushed up, disengage the 6 claws on the left and right side.

NOTICE:

- Removing the rear bumper cover while pressing on the shaded area may damage the cover. Be sure not to press the shaded area when removing the cover.
- Disengaging the claws all at once may damage the claws on the rear bumper side support or the rear bumper cover. Be sure to disengage the claws one at a time from the outside.
- Hold the areas close to the claws when disengaging the claws. Holding areas away from the claws may damage the claws or the rear bumper cover.



- (e) Remove the 3 claws in the center of the rear bumper cover, and remove the rear bumper cover.

8. REMOVE REAR BUMPER SIDE SUPPORT RH

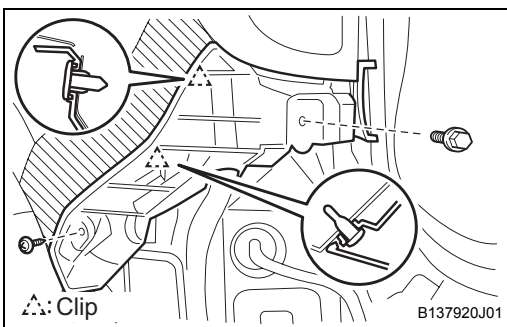
- (a) Remove the screw.



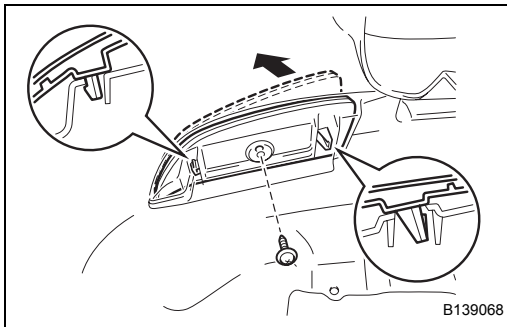
- (b) Remove the bolt and the 3 clips, then remove the rear bumper side support RH.

9. REMOVE REAR BUMPER SIDE SUPPORT LH

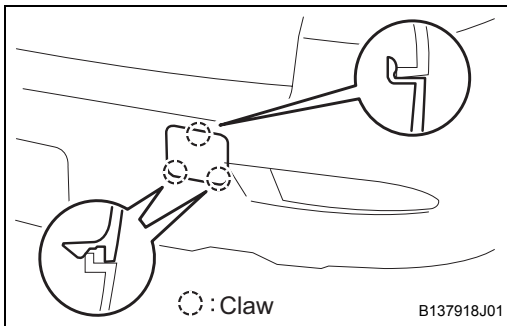
- (a) Remove the screw.



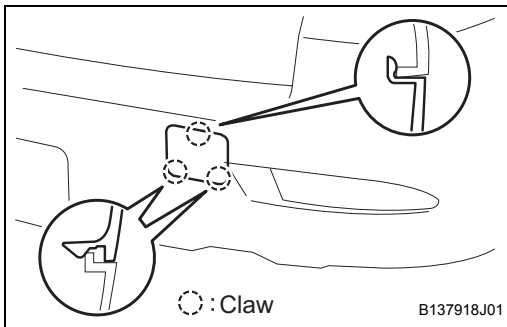
- (b) Remove the bolt and the 2 clips, then remove the rear bumper side support LH.

**10. REMOVE REFLEX REFLECTOR ASSEMBLY RH**

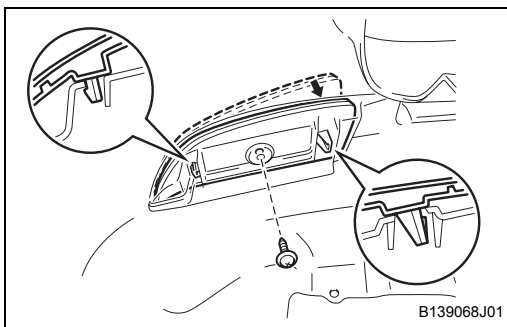
- (a) Remove the screw.
- (b) Disengage the claw and install the reflex reflector assembly RH.

11. REMOVE REFLEX REFLECTOR ASSEMBLY LH**12. REMOVE REAR BUMPER COVER UPR RH**

- (a) Disengage the 3 claws and remove the rear bumper cover UPR RH.

INSTALLATION**1. INSTALL REAR BUMPER COVER UPR RH**

- (a) Attach the 3 claws and install the rear bumper cover UPR RH.

**2. INSTALL REFLEX REFLECTOR ASSEMBLY RH**

- (a) Attach the claw and install the reflex reflector assembly RH with the screw.

3. INSTALL REFLEX REFLECTOR ASSEMBLY LH**4. INSTALL REAR BUMPER SIDE SUPPORT RH**

- (a) Install the screw.

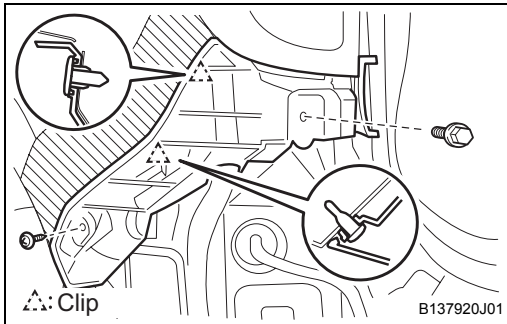


- (b) Install the rear bumper side support RH with the bolt and the 3 clips.

Torque: 13.5 N*m (137 kgf*cm)

5. INSTALL REAR BUMPER SIDE SUPPORT LH

- (a) Install the screw.

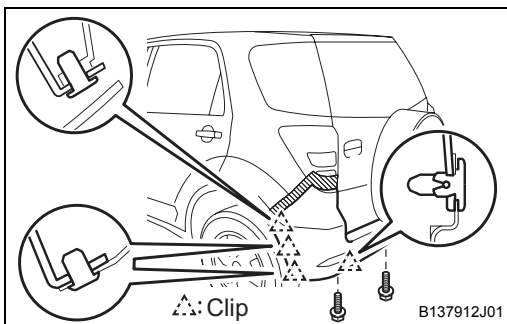
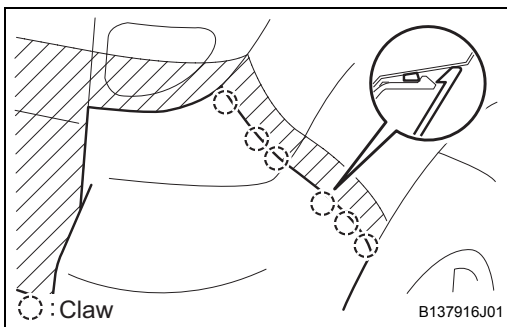
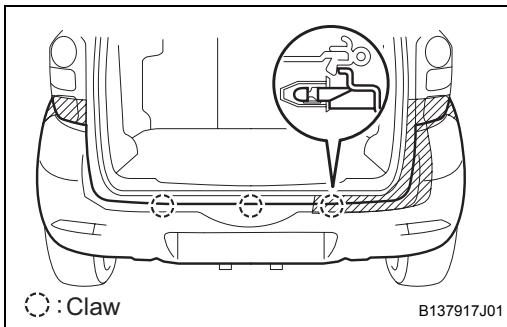


- (b) Install the rear bumper side support LH with the bolt and the 2 clips.

Torque: 13.5 N*m (137 kgf*cm)

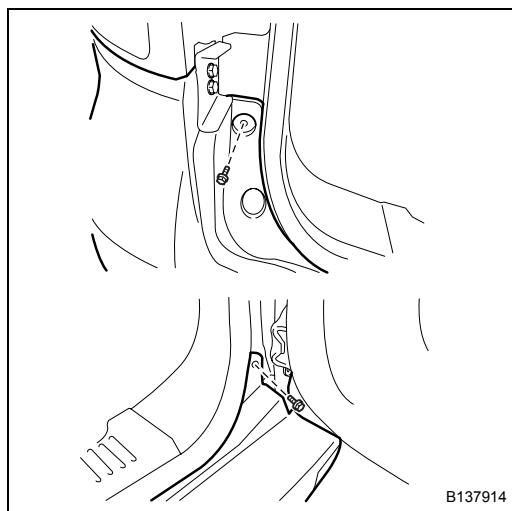
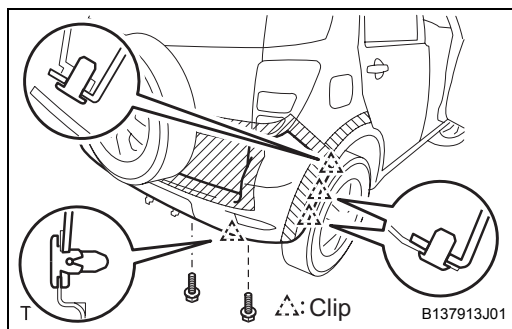
6. INSTALL REAR BUMPER COVER

- (a) Attach the 3 claws in the center and the 6 claws on the right and the left, install the rear bumper cover.



- (b) Install the 4 clips on the right and the left sides and the 2 bolts.

Torque: 6.0 N*m (61 kgf*cm)



(c) Install the 2 bolts.

Torque: 6.0 N*m (61 kgf*cm)

7. INSTALL LICENSE PLATE BRACKET BASE

(a) Install the license plate bracket base with the 2 bolts.

8. CLEAN INSTALLATION SURFACE (See page ET-30)

9. CLEAN QUARTER OUTSIDE MOULDING AND REAR WHEEL OPENING EXTENSION (WHEN REUSING) (See page ET-30)

10. INSTALL OUTSIDE MOULDING CLIP NO. 4 (See page ET-31)

11. INSTALL REAR WHEEL OPENING EXTENSION PAD NO. 1 (See page ET-31)

12. INSTALL QUARTER OUTSIDE MOULDING LH (See page ET-31)

13. INSTALL QUARTER OUTSIDE MOULDING RH

14. INSTALL LICENSE PLATE LIGHT ASSEMBLY

