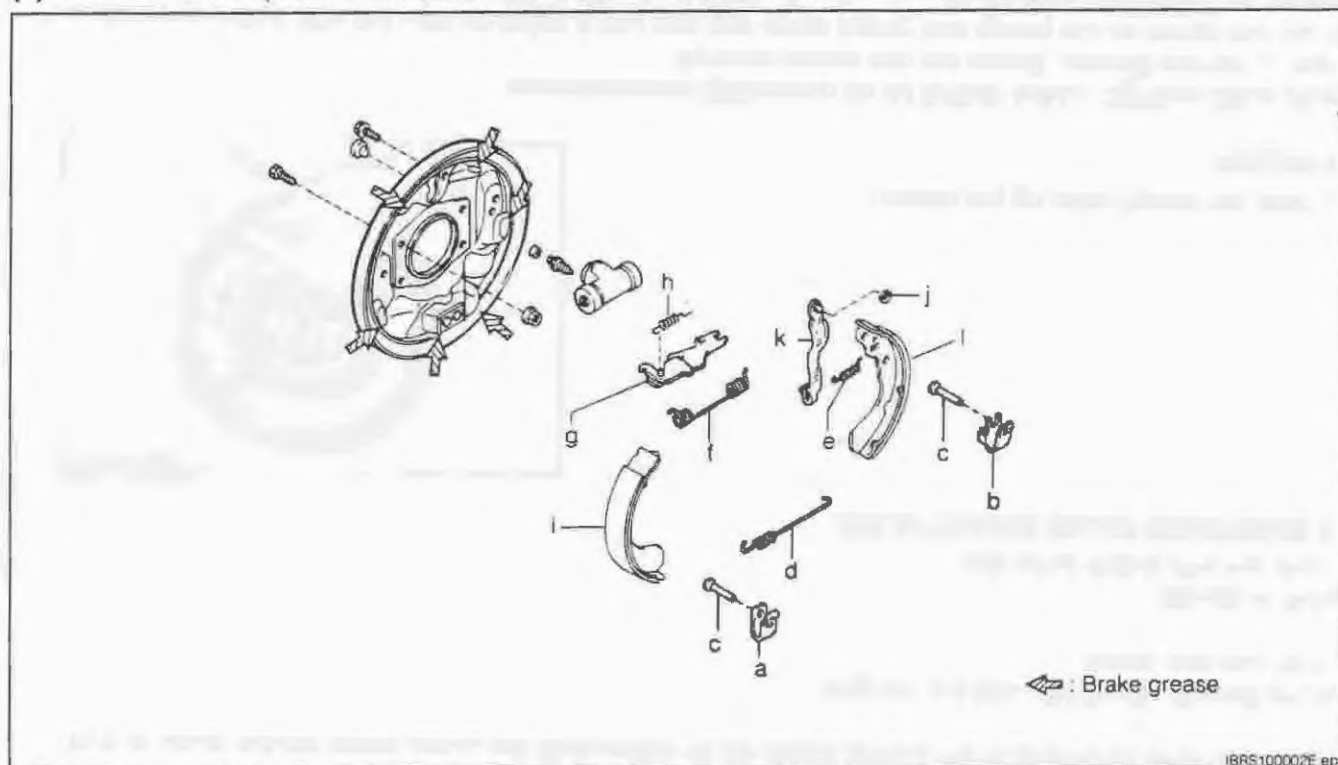


(1) COMPONENTS (4WD VEHICLES NOT EQUIPPED WITH ABS)



(2) REMOVAL AND INSTALLATION PROCEDURES (4WD VEHICLES NOT EQUIPPED WITH ABS)

1	12	a	Spring, shoe hold-down	7	6	g	Strut, parking brake shoe
2	11	b	Spring, shoe hold-down No.2	8	5	h	Spring, tension, No.2
3	10	c	Pin, shoe hold-down spring	9	4	i	Shoe Ay, rear brake No.1
4	9	d	Spring, tension, No.4	10	3	j	Ring, E
5	8	e	Spring, tension, No.3	11	2	k	Lever S/A, parking brake shoe
6	7	f	Spring, tension	12	1	l	Shoe Ay, rear brake No.2

BR-RBS-D-T-00002

10-1-4 INSPECTION

(1) INSPECTION OF SHOE LINING THICKNESS

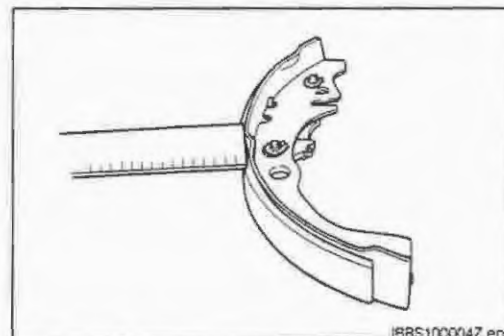
1. Check to see that the thickness of shoe lining is not less than the limit. Check to see that the shoe lining does not have uneven wear. Replace the brake shoe if any abnormality is found.

SPECIFIED VALUE: 4.0mm

ALLOWABLE LIMIT: 1.0mm

CAUTION

- When replacing rear brake shoe Ay, replace both shoes of right and left wheels as a set in order to prevent the pulling of the brake.



IBRS100004Z eps

BR-32

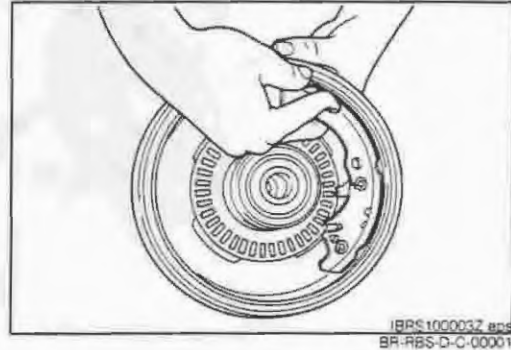
(2) CHECK OF CONTACTING CONDITION OF SHOE LINING WITH BRAKE DRUM

1. Apply the choke to the inside rear brake drum S/A and rub it together with the rear brake shoe Ay. In case of uneven contact, polish the rear brake shoe Ay.

SPECIFIED VALUE: There should be no remarkably uneven contact.

CAUTION

- After the check, wipe off the choke.



10-1-5 OPERATION AFTER INSTALLATION

1. Install the rear brake drum S/A.
Refer to BR-26.

2. Install the rear wheel.

TIGHTENING TORQUE: $103.0 \pm 14.7\text{N}\cdot\text{m}$

3. Adjust the shoe clearance to the proper condition by depressing the brake pedal several times and activating the adjusting mechanism for shoe clearance.
4. Adjust the working travel of the parking brake control lever Ay.
5. Install the rear console box Ay.
6. Check the brake dragging.
7. Jack down the vehicle.

BR-RBS-D-A-00001



11 REAR WHEEL CYLINDER


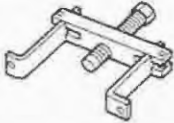
11-1 REMOVAL AND INSTALLATION

WARNING

- Keep the position of the jack-up point to avoid causing serious accident due to inclining of the vehicle. Improper fitting of the rear brake could reduce the efficiency of the brake during driving or the parking brake. Any kinds of oils and fats applied to the inside brake drum or brake lining surface could also reduce the efficiency of the brake. And improper fitting of the brake tube could also reduce the efficiency of the brake.

BR-RWC-D-Z-00001

11-1-1 PREPARATION TOOLS

	Shape	Part Number, Name	Purpose
SST		09511-87202-000 Brake drum stopper	Removal of castle nut
		09510-87301-000 Front hub & drum puller	Removal of brake drum
Gauge	Torque wrench		

BR-RWC-D-P-00001

11-1-2 OPERATION BEFORE REMOVAL

1. Jack up the vehicle.
2. Remove the rear wheel.
3. Remove the stop lamp fuse.
4. Connect the bottle for air bleeding to the bleeder plug of the wheel cylinder which is to be removed.
5. Open the bleeder plug.
6. Fix the brake pedal securely at the fully depressed position.

NOTE

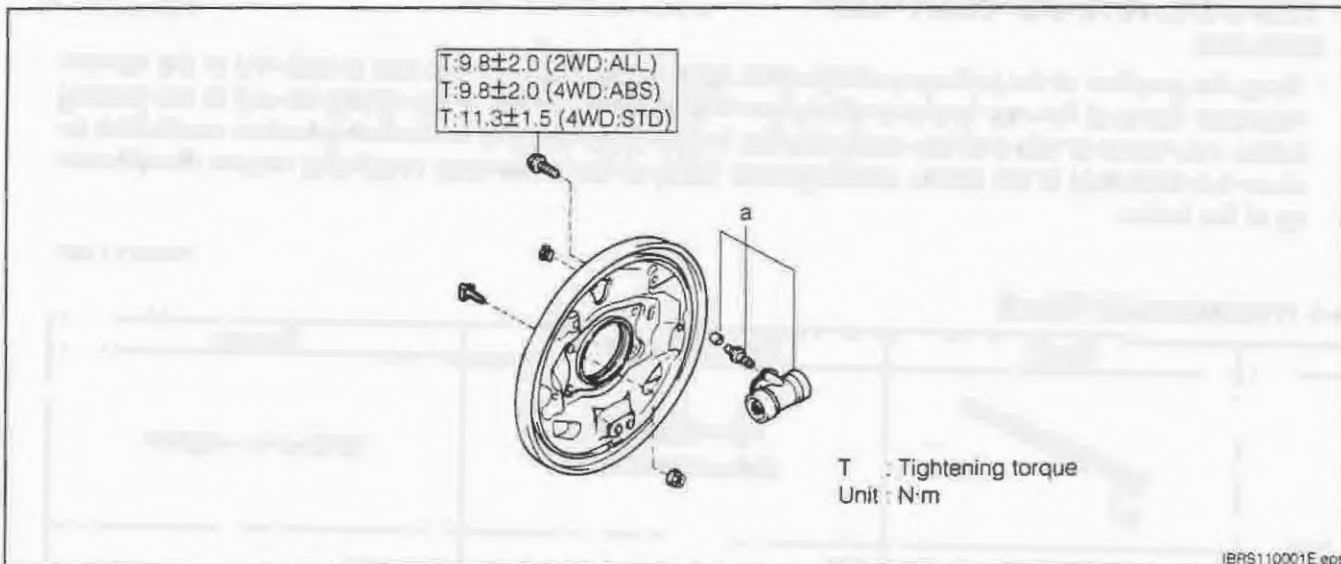
- These measures makes the valve in the master cylinder close to prevent flowing out of the brake fluid.
7. Close the bleeder plug.
 8. Separate the brake hose and the brake tube which are connected with the wheel cylinder which is to be removed.
 9. Plug the edge of the separated brake tube with the bleeder plug cap or the like.
 10. Remove the rear brake drum S/A.
Refer to BR-26.

BR-RWC-D-B-00001

BR-34

11-1-3 REMOVAL AND INSTALLATION PROCEDURES

(1) COMPONENTS



(2) REMOVAL AND INSTALLATION PROCEDURES

- 1 1 a Cylinder, rear wheel

BR-RWC-D-T-00001

11-1-4 INSPECTION

(1) WHEEL CYLINDER CHECK

1. Check the wheel cylinder for corrosion and damage.

BR-RWC-D-C-00001

11-1-5 OPERATION AFTER INSTALLATION

1. Connect the brake tube to the brake wheel cylinder.

CAUTION

- Tighten the union nut temporarily by hand till flare portion of the tube contact securely to the seat, and then tighten it with the specified tightening torque.

TIGHTENING TORQUE: 15.2 ± 2.5 N·m

2. Install the brake drum.
Refer to BR-26.
3. Replenish the reservoir tank with brake fluid up to the MAX line.
4. Perform air bleeding of the brake system.
5. Install the stop lamp fuse.
6. Install the rear wheel.

TIGHTENING TORQUE: 103.0 ± 14.7 N·m

7. Adjust the shoe clearance to the proper condition by depressing the brake pedal several times and activating the adjusting mechanism for shoe clearance.
8. Adjust the working travel of the parking brake lever.
9. Install the rear console box Ay.
10. Jack down the vehicle.
11. Confirm that there is no brake dragging.

BR-RWC-D-A-00001

11-2 DISASSEMBLY AND ASSEMBLY

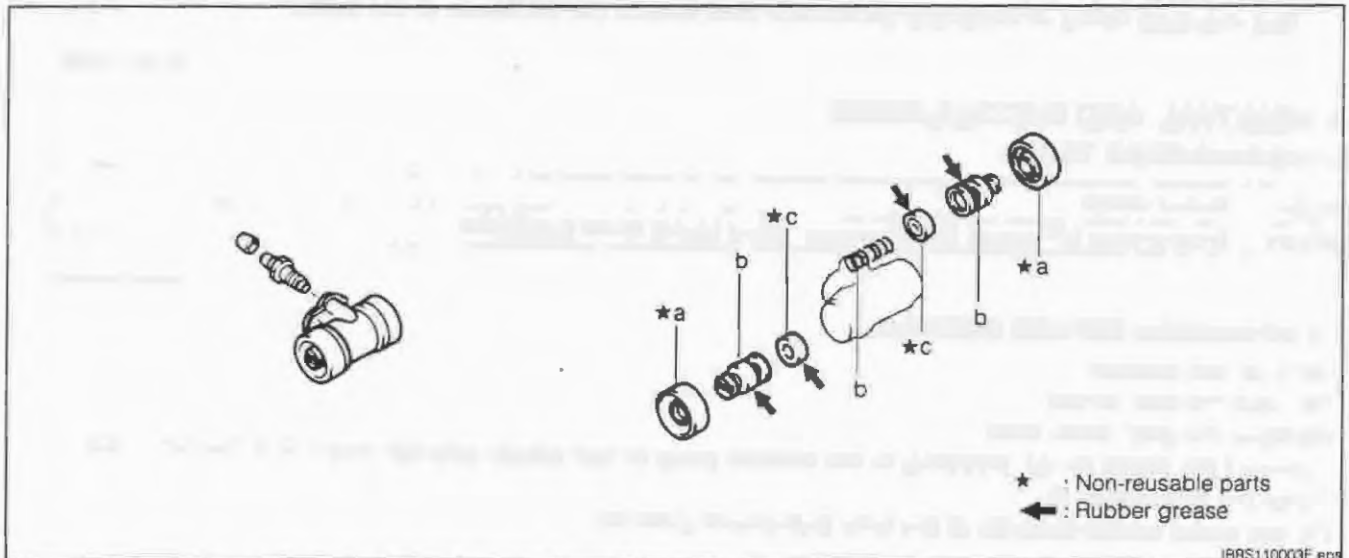
11-2-1 PREPARATION TOOLS

Lubricant	Brake fluid(DOT3), Rubber grease
-----------	----------------------------------

BR-RWC-B-P-00001

11-2-2 DISASSEMBLY AND ASSEMBLY PROCEDURE

(1) COMPONENTS



(2) DISASSEMBLY AND ASSEMBLY PROCEDURES

- 1 4 a Boot, wheel cylinder
- 2 3 b Piston, wheel brake cylinder
- 3 2 c Cup, cylinder
- 4 1 d Spring, compression

BR-RWC-S-T-00001

BR-36

12 REAR BACKING PLATE

WARNING

- Keep the position of the jack-up point to avoid causing serious accident due to inclining of the vehicle.
- Improper fitting of the rear brake could reduce the efficiency of the brake during driving or the parking brake.
- Any kinds of oils and fats applied to the inside brake drum or brake lining surface could also reduce the efficiency of the brake.
- And improper fitting of the brake tube could also reduce the efficiency of the brake.

BR-RBP-Z-Z-00001

12-1 REMOVAL AND INSTALLATION

12-1-1 PREPARATION TOOLS

Gauge	Torque wrench
Lubricant	Brake grease, MP grease, Rubber grease, Liquid gasket, Brake fluid(DOT3)

BR-RBP-D-P-00001

12-1-2 OPERATION BEFORE REMOVAL

1. Jack up the vehicle.
2. Remove the rear wheel.
3. Remove the stop lamp fuse.
4. Connect the bottle for air bleeding to the bleeder plug of rear wheel cylinder which is to be removed.
5. Open the bleeder plug.
6. Fix the brake pedal securely at the fully depressed position.

NOTE

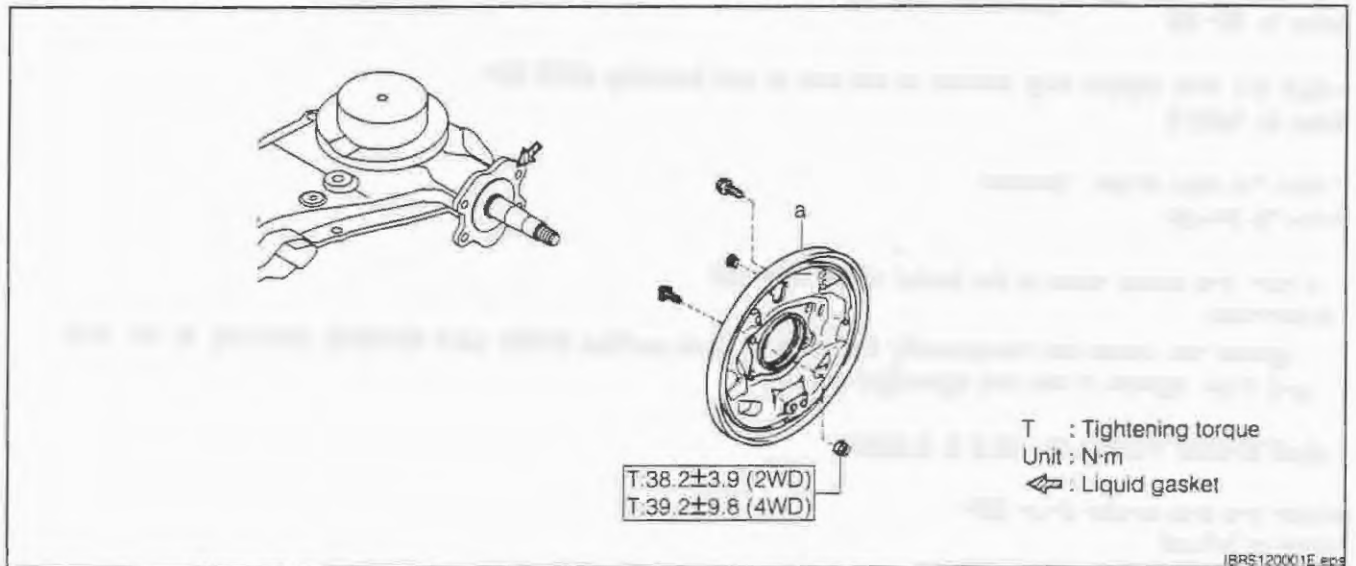
- These measures makes the valve inside of the master cylinder close to prevent flowing out of the brake fluid.

7. Close the bleeder plug.
8. Separate the brake hose and the brake tube which are connected to the rear wheel cylinder which is to be removed.
9. Plug the brake tube edge with bleeder plug cap and so on.
10. Remove the rear brake drum S/A.
Refer to BR-26.
11. Remove the rear brake shoe Ay.
Refer to BR-30.
12. Remove the rear wheel cylinder.
Refer to BR-34.
13. Remove the skid control rear sensor.
Refer to ABS-8.
14. Remove the parking brake cable Ay from rear brake backing plate S/A.
Refer to BR-40.

BR-RBP-D-B-00001

12-1-3 REMOVAL AND INSTALLATION PROCEDURES

(1) COMPONENTS



(2) REMOVAL AND INSTALLATION PROCEDURES

- 1 ① a Plate S/A, brake backing, rear

BR-RBP-D-T-00001

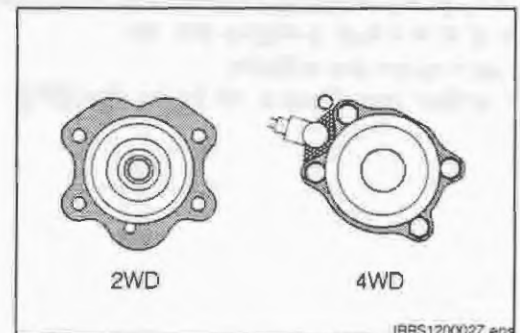
12-1-4 INSPECTION

1. Check to see the condition of wear and damage of rear brake backing plate S/A.

BR-RBP-D-C-00001

12-1-5 POINTS OF INSTALLATION

1. Installation of rear brake backing plate S/A
 - (1) Apply glue on the place shown in the drawing and install the rear brake backing plate S/A.



IRRS120002Z.eps
BR-RBP-D-S-00001

BR-38

12-1-6 OPERATION AFTER INSTALLATION

1. Connect the parking brake cable Ay to the rear brake backing plate S/A.
Refer to BR-40.

2. Install the skid control rear sensor to the rear brake backing plate S/A.
Refer to ABS-8.

3. Install the rear wheel cylinder.
Refer to BR-34.

4. Connect the brake tube to the brake wheel cylinder.

CAUTION

- Tighten the union nut temporarily by hand till flare portion of the tube contacts securely to the seat, and then, tighten it with the specified torque.

TIGHTENING TORQUE: $15.2 \pm 2.5\text{N}\cdot\text{m}$

5. Install the rear brake drum S/A.
Refer to BR-26.

6. Replenish the reservoir tank with brake fluid up to the MAX line.

7. Perform air bleeding of the brake system.

8. Install the stop lamp fuse.

9. Install the rear wheel.

TIGHTENING TORQUE: $103.0 \pm 14.7\text{N}\cdot\text{m}$

10. Adjust the shoe clearance to the proper condition by depressing the brake pedal several times and activating the adjusting mechanism for shoe clearance.

11. Adjust the working travel of the parking brake lever Ay.

12. Install the rear console box Ay.

13. Jack down the vehicle.

14. Confirm that there is no brake dragging.

BR-R6P-C-A-00001

13 PARKING BRAKE LEVER

13-1 REMOVAL AND INSTALLATION

13-1-1 PREPARATION TOOLS

Gauge	Torque wrench
-------	---------------

BR-PKL-D-F-00001

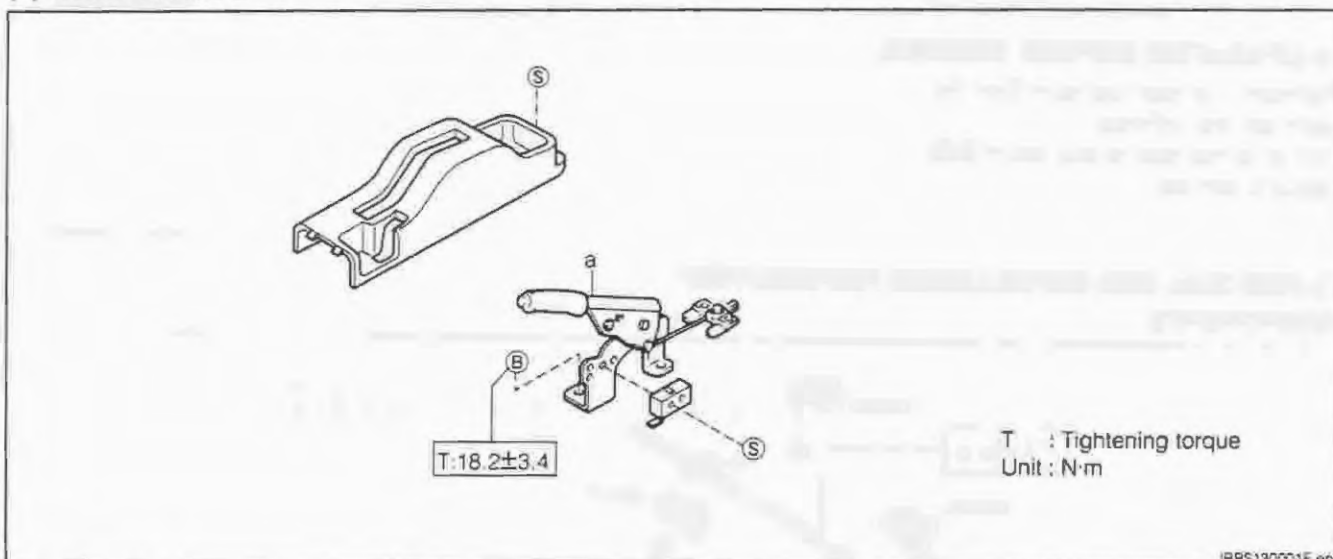
13-1-2 OPERATION BEFORE REMOVAL

1. Remove the rear console box Ay.

BR-PKL-D-B-00001

13-1-3 REMOVAL AND INSTALLATION PROCEDURES

(1) COMPONENTS



(2) REMOVAL AND INSTALLATION PROCEDURES

- 1 1 a Handle Ay, parking brake control

BR-PKL-D-T-00001

13-1-4 OPERATION AFTER INSTALLATION

1. Check the working travel of the parking brake lever Ay.
Refer to BR-4.
2. Check that there is no parking brake dragging.
3. Install the rear console box Ay.

BR-PKL-D-A-00001

BR-40

14 PARKING BRAKE CABLE

14-1 REMOVAL AND INSTALLATION

WARNING

- Keep the position of the jack-up point to avoid causing serious accident due to inclining of the vehicle.
- Improper fitting of the rear brake could reduce the efficiency of the brake during driving or the parking brake.

BR-PKC-D-Z-00001

14-1-1 PREPARATION TOOLS

Gauge	Torque wrench
-------	---------------

BR-PKC-D-P-00001

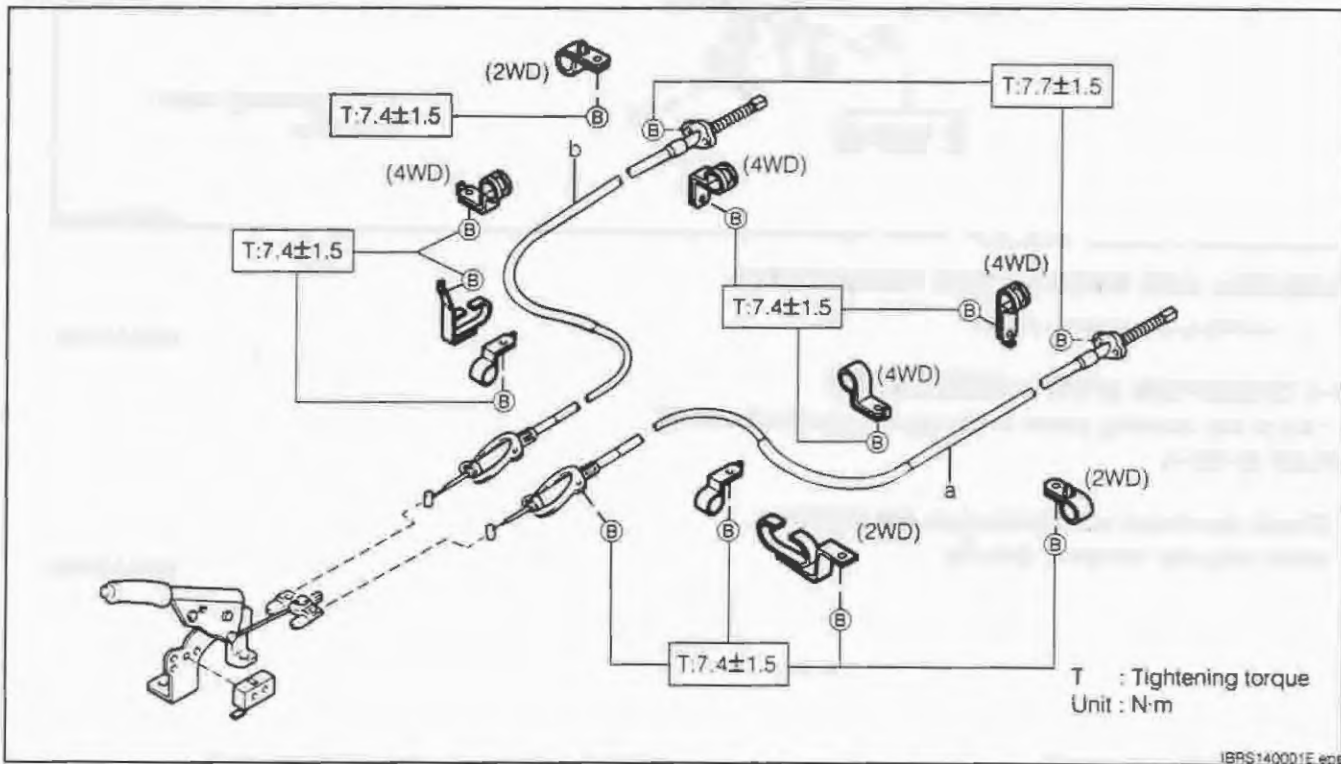
14-1-2 OPERATION BEFORE REMOVAL

1. Remove the rear console box Ay.
2. Jack up the vehicle.
3. Remove the rear brake drum S/A.
Refer to BR-26.

BR-PKC-D-B-00001

14-1-3 REMOVAL AND INSTALLATION PROCEDURES

(1) COMPONENTS



(2) REMOVAL AND INSTALLATION PROCEDURES

- 1 2 a Cable Ay, parking brake (Rear left)
- 2 1 b Cable Ay, parking brake (Rear right)

BR-PKC-D-T-00001