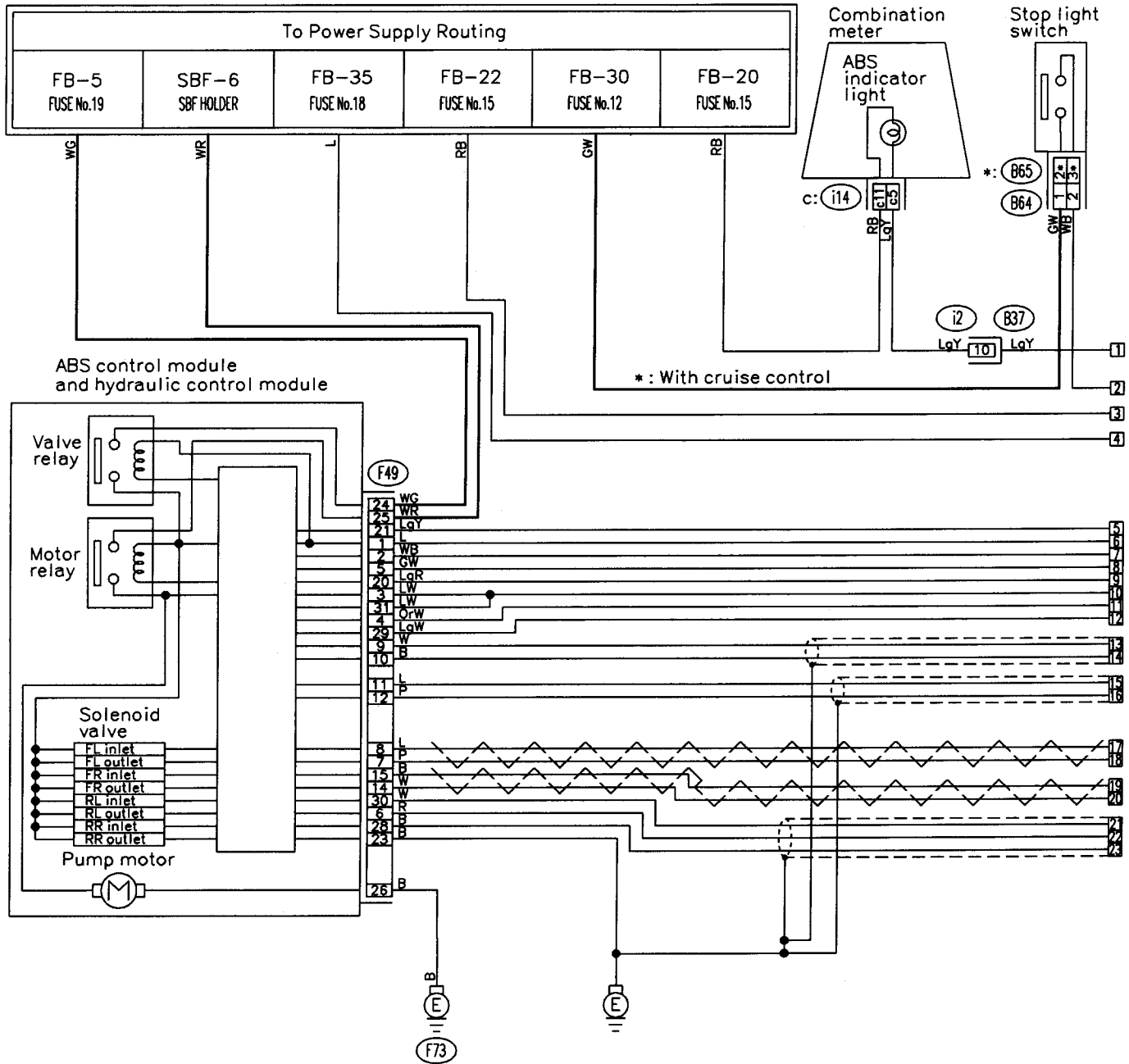


6. Wiring Diagram  
4. ANTI-LOCK BRAKE SYSTEM



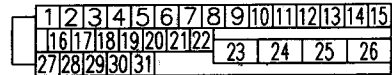
(B64) (Black)



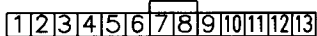
(B65) (Black)



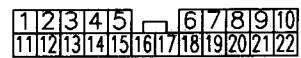
(F49)



(i14)



(i2)



# WIRING DIAGRAM

