

- 1 The temperature at noon at an Antarctic weather centre was  $-15^{\circ}\text{C}$ .  
At midnight it had fallen by  $12^{\circ}\text{C}$ .  
What was the temperature at midnight?

$$-15 - 12 = -27$$

Answer .....  $-27$  .....  $^{\circ}\text{C}$  [1]

- 2            0.09            90%             $\frac{9}{1000}$             9%            0.9             $\frac{9}{100}$             900%
- $= 0.90$              $= 0.009$              $= 0.09$              $= 0.09$              $= 9$

Write down the three numbers from the list above which have the same value.

Answer ..... 0.09 ..... 9% .....  $\frac{9}{100}$  ..... [1]

- 3 Write down the number of square centimetres in one square metre.

$$1\text{m}^2 = 10000\text{cm}^2$$

Answer ..... 10000 ..... [1]

- 4 (a) Write down a number, other than 1, which is a **factor** of both 14 and 35.



Answer(a) ..... 7 ..... [1]

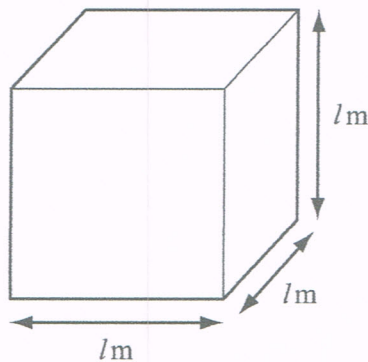
- (b) Write down a number which is a **multiple** of both 14 and 35.

Multiple of 14 : 14, 28, 42, 56, 70, 84, ...

Multiple of 35 : 35, 70, 105, ...

Answer(b) ..... 70 ..... [1]

- 5



NOT TO  
SCALE

$$\begin{aligned} \text{Volume} &= l \times l \times l \\ 20\text{m}^3 &= l^3 \\ l &= \sqrt[3]{20} \\ l &= 2.714417616\dots \\ l &\approx 2.71 \end{aligned}$$

A cube of side  $l$  metres has a volume of 20 cubic metres.  
Calculate the value of  $l$ .

Answer  $l =$  ..... 2.71 ..... [2]