

Frame contained PDF file, click [here](#) to view

- [Cars with SRS](#)
- [Content](#)
- [How to use the wiring diagrams 1:2, 2:2](#)
- [Power distribution 1:2, 2:2](#)
- [Ignition switch, main fuse and relay-/fuse box in, engine compartment](#)
- [Fuse box/relays in car](#)
- [Central relay unit in car \(tunnel\)](#)
- [Other relays](#)
- Cable harness routing in car
 - [Engine compartment, Engine and ABS cable harness](#)
 - [Cable harness, in car](#)
 - [Dashboard and Blower fan/ECC unit cable harness](#)
 - [Front and rear door cable harness](#)
 - [Power sunroof, Courtesy lighting, Rear harness 4-door and Rear harness 5-door](#)
- Branching points
 - [33/1 - 33/6](#)
 - [33/100 - 33/104](#)
 - [33/105 - 33/108](#)
 - [33/109 - 33/112](#)
 - [33/113 - 33/200](#)
 - [33/201 - 33/208](#)
 - [33/209 - 33/216](#)
 - [33/217 - 33/219](#)
 - [33/220 - 33/222](#)
 - [33/223 - 33/226](#)
 - [33/227 - 33/231](#)
 - [33/232 - 33/300](#)
 - [33/301 - 33/305](#)
 - [33/306 - 33/402](#)
 - [33/500 - 33/602](#)
 - [33/700 - 33/704](#)
- Connectors

- [Multi-connector A1:A](#)
- [Multi-connector A1:B - C](#)
- [Multi-connector A1:D](#)
- [Multi-connector A1:E - F](#)
- [Connector A3:C](#)
- [Connector A3:D - F](#)
- [Connectors A4, A8 and A9](#)
- [Connectors A10, A11 and A14](#)
- [Connectors A15 and A16](#)
- [Connectors A17, A32 and A33](#)
- [Connectors A25, A36, A3 and A43](#)
- [Connectors A26, A27, A28, A30 and A31](#)
- [Terminal block in central relay module in-car](#)
- [Terminal block at parking brake bracket](#)
- [Terminal blocks in relay/fusebox engine compartment](#)
- Ground connections
 - [31/1 - 31/4](#)
 - [31/5 - 31/6](#)
 - [31/10 - 31/13](#)
 - [31/18 - 31/57](#)
- Group 23
 - [Motronic MFI Multiport Fuel Injection System 1:2, 2:2](#)
- Group 26
 - [Engine coolant fan FC 1:2, 2:2](#)
- Group 27
 - [Cruise control 1:2, 2:2](#)
- Group 32
 - [Power supply 1:2, 2:2](#)
- Group 33
 - [Starting system 1:2, 2:2](#)
- Group 35
 - [Hi and lo beams 1:2, 2:2](#)
 - [Beam width control 1:2, 2:2](#)
 - [Fog lights 1:2, 2:2](#)
 - [Fog lights USA 1:2, 2:2](#)
 - [Fog lights Japan 1:2, 2:2](#)
 - [Parking lights, tail lights and license](#)

[plate lights 1:2, 2:2](#)

- [Parking lights, tail lights and license plate lights, USA, Canada 1:2, 2:2](#)
- [Stop \(brake\) light 4-door 1:2, 2:2](#)
- [Stop \(brake\) light 5-door 1:2, 2:2](#)
- [Backup \(reversing\) light 1:2, 2:2](#)
- [Interior, cargo area and door warning lights 1:2, 2:2](#)
- [Instrumentation and controls lighting 1:2, 2:2](#)

● Group 36

- [Turn indicator signal, hazard flashers 1:2, 2:2](#)
- [Turn indicator signal, hazard flashers USA/Canada 1:2, 2:2](#)
- [Horn 1:2, 2:2](#)
- [Windshield wash/wipe 1:2, 2:2](#)
- [Tailgate wash/wipe 1:2, 2:2](#)
- [Headlamps wash/wipe 1:2, 2:2](#)
- [Cigar lighter 1:2, 2:2](#)
- [Car alarm system 1:2, 2:2](#)

● Group 37

- [Diagnostics 1:2, 2:2](#)
- [Tow hitch harness 1:2, 2:2](#)
- [Accessories harness 1:2, 2:2](#)

● Group 38

- [Combined instrument 1:4, 2:4, 3:4, 4:4](#)
- [Outer temperature sensor 1:2, 2:2](#)
- [Bulb failure warning sensor 1:2, 2:2](#)
- [Seat belt reminder 1:2, 2:2](#)
- [Seat belt reminder and key reminder USA/Canada, and Korea 1:2, 2:2](#)

● Group 39

- [Radio connections, 4-door 1:2, 2:2](#)
- [Radio connections, 5-door 1:2, 2:2](#)

● Group 43

- [Electronically controlled automatic transmission, AW30-40/43 1:2, 2:2](#)
- [P-shift lock, automatic transmission 1:2,](#)

[2:2](#)

- Group 59
 - [Anti-lock braking system ABS 1:2, 2:2](#)
- Group 83
 - [Power windows 1:2, 2:2](#)
 - [Central locking 1:2, 2:2](#)
 - [Power sunroof 1:2, 2:2](#)
- Group 84
 - [Heated rear window and door mirrors, with delay relay 1:2, 2:2](#)
 - [Power door mirrors 1:2, 2:2](#)
- Group 85
 - [Heated driver/passenger seats 1:2, 2:2](#)
 - [Power seat 1:2, 2:2](#)
 - [Power seat with memory 1:2, 2:2](#)
- Group 87
 - [Electronic Climate Control, ECC 1:2, 2:2](#)
 - [Manual Climate Control, MCC 1:2, 2:2](#)
 - [Temperature sensor Japan 1:2, 2:2](#)
- Group 88
 - [Supplemental Restraint System \(SRS\) 1:2, 2:2](#)
 - [Supplemental Restraint System \(SRS\) USA/CDN 1:2, 2:2](#)
- [Comments](#)
- [Component list \(foldout\) 1:3, 2:3, 3:3](#)
- [Alphabetical index](#)

VOLVO

Service Manual

Fault tracing

Repairs

Maintenance

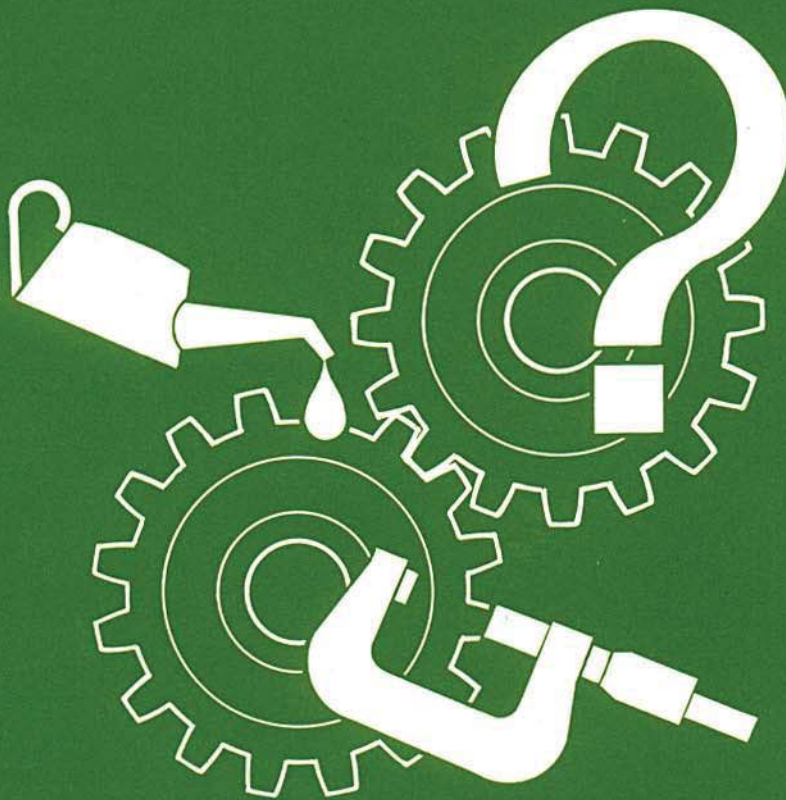
Section 3 (39)

Wiring Diagrams

Left-hand drive

960 1995

TP 3909202



Volvo Car Corporation

Cars with SRS

Warning

Cars equipped with a Supplemental Restraint System (SRS) must be treated extra carefully when repairs are being made. This is to help prevent:

1. Injuries when carrying out a repair.
2. Damage or malfunction of the SRS system.

Repair to either the SRS itself or a related system or component must be carried out by an authorized Volvo workshop. Refer to the appropriate SRS service manual for complete system information.

Is the car equipped with SRS?

Cars with SRS are most easily recognized by the SRS letters on the steering wheel pad. If the car is also equipped with an air bag on the passenger side, the letters 'SRS' will be embossed on the instrument panel above the glove compartment. Most cars with SRS are also equipped with pyrotechnical seat belt tensioners in the B-posts.

Dashboard or around steering column

Take care to avoid electric wiring being pinched, frayed or pierced by screws when working on firewall, knee bolster, ignition switch, steering column casings, glove compartment, instrument panel, door sills and B-posts.

Driver's seat, centre console or carpeting at left front seat

The SRS collision sensor is located under the left front seat. Do not disconnect the collision sensor connector. Never install accessories on or near the sensor. The crash sensor connector on 1992 and earlier models must **never** be disconnected.

Repairs to steering gear and column

When carrying out repairs to the steering wheel, steering gear or column always follow the repair procedures given in the appropriate SRS service manual. The contact reel in the steering column will be damaged if the steering wheel is turned more than three turns in either direction.

Test terminal

- 1992 : An unused terminal in the fusebox is used as a hook-up for SRS diagnostics. Do not install a fuse or connect an accessory to this terminal.

1993 - : Diagnostic unit B in the engine compartment is used for fault-tracing purposes.

Modifications to August 1994 included

Modifications introduced after the above date are not covered in this manual. See Service Bulletins as applicable.

Volvos are sold in versions adapted for different markets. These adaptations depend on many factors including legal, taxation and market requirements. This manual may therefore show illustrations and text which do not apply to cars in your country.

Volvo owners planning to export their car(s) to another country should investigate the applicable safety and exhaust emission requirements. In some cases it may be impossible to comply with these requirements.

Contents

How to use the wiring diagrams	2	Group 37	
Power distribution	4	Diagnostics	100
Ignition switch, main fuse and relay-/fuse box in engine compartment	6	Tow hitch harness	102
Fuse box/relays in car	7	Accessories harness	104
Central relay unit in car (tunnel)	8	Group 38	
Other relays	8	Combined instrument	106
Cable harness routing in car	9	Outer temperature sensor	110
Branching points	14	Bulb failure warning sensor	112
Connectors	30	Seat belt reminder	114
Terminal block in central relay module in-car	42	Seat belt reminder and key reminder USA/Canada and Korea	116
Terminal block at parking brake bracket	43		
Terminal blocks in relay/fusebox engine compartment	44	Group 39	
Ground connections	46	Radio connections, 4-door	118
		Radio connections, 5-door	120
Group 23		Group 43	
Motronic MFI Multiport Fuel Injection System	50	Electronically controlled automatic transmission AW30-40/43	122
		P-shift lock, automatic transmission	124
Group 26		Group 59	
Engine coolant fan FC	52	Anti-lock braking system ABS	126
Group 27		Group 83	
Cruise control	54	Power windows	128
		Central locking	130
Group 32		Power sunroof	132
Power supply	56	Group 84	
Group 33		Heated rear window and door mirrors with delay relay	134
Starting system	58	Power door mirrors	136
		Group 85	
Group 35		Heated driver/passenger seats	138
Hi and lo beams	60	Power seat	140
Beam width control	62	Power seat with memory	142
Fog lights	64	Group 87	
Fog lights USA	66	Electronic Climate Control, ECC	144
Fog lights Japan	68	Manual Climate Control, MCC	146
Parking lights, tail lights and license plate lights	70	Temperature sensor Japan	148
Parking lights, tail lights and license plate lights USA, Canada	72	Group 88	
Stop (brake) light 4-door	74	Supplemental Restraint System (SRS)	150
Stop (brake) light 5-door	76	Supplemental Restraint System (SRS) USA/CDN	152
Backup (reversing) light	78	Comments	154
Interior, cargo area and door warning lights	80	Component list (foldout)	at end of book
Instrumentation and controls lighting	82	Alphabetical index	at end of book
Group 36			
Turn indicator signal, hazard flashers	84		
Turn indicator signal, hazard flashers USA/Canada	86		
Horn	88		
Windshield wash/wipe	90		
Tailgate wash/wipe	92		
Headlamps wash/wipe	94		
Cigar lighter	96		
Car alarm system	98		

Order no. TP 3909032 (UK)

Supersedes TP 3909031

Order no. TP 3909202 (USA/CDN)

Supersedes TP 3909201 (USA/CDN)

We reserve the right to make alterations without prior notice

How to use the wiring diagrams

Look up the relevant electrical function in the index.
 Let us say you want to look at the windshield wash/wipe system.
 According to the index, the windshield wash/wipe system is found on page 90.

Here is a schematic presentation of how the components are connected to each other and their internal appearance.

Each component has a component designation.
 At the end of the manual there is a component list where you can see what each component is called.

A chart is often used to illustrate the functions of a switch.






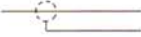


The chart will show which functions are associated with the different positions on the switch (in this case the ignition switch).

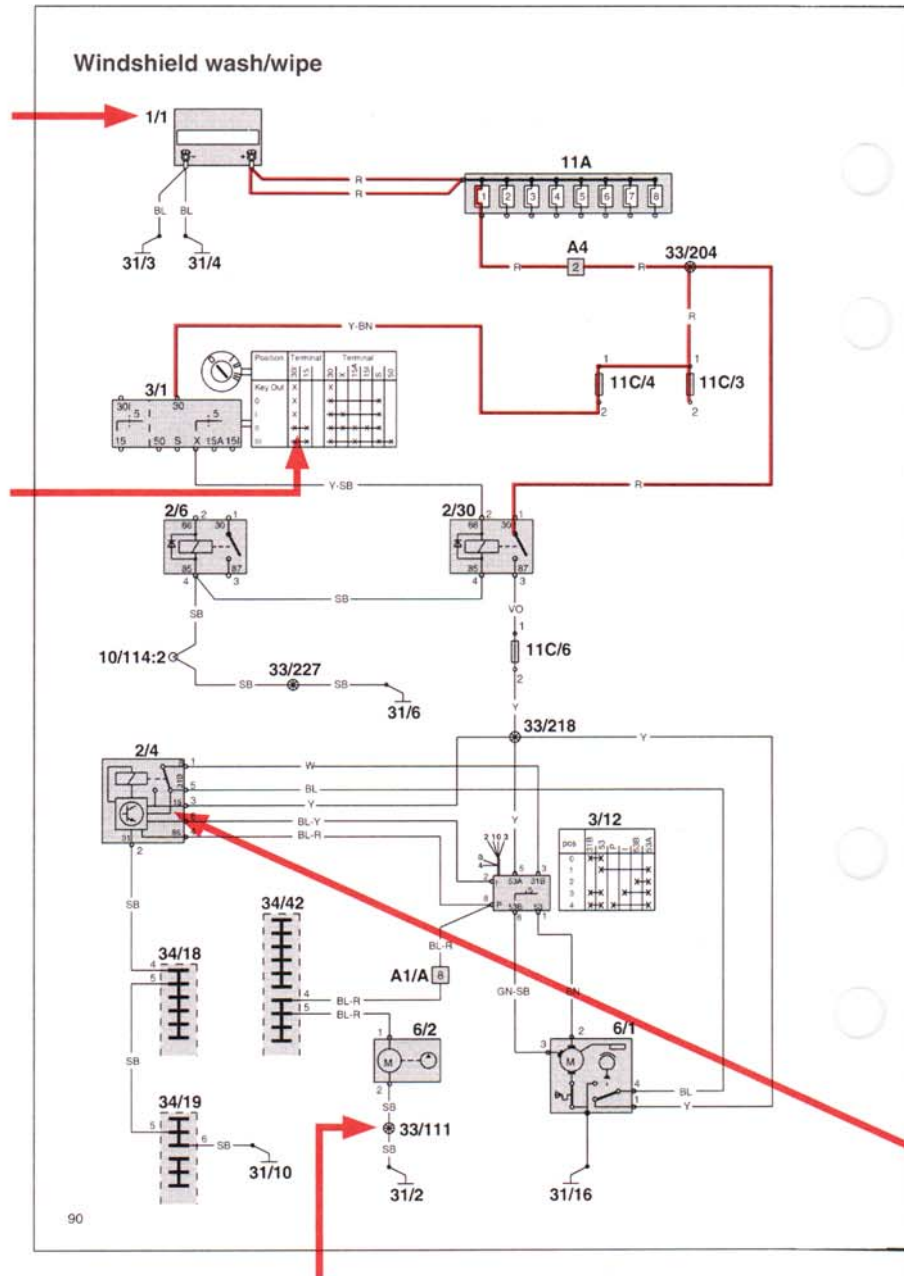
Wire colors are indicated with letters of the alphabet:

SB = Black BN = Brown GN = Green
 GR = Grey Y = Yellow OR = Orange
 W = White P = Pink VO = Purple
 R = Red BL = Blue

BL-R is thus = Blue-red.

Code to colours in the wiring diagram

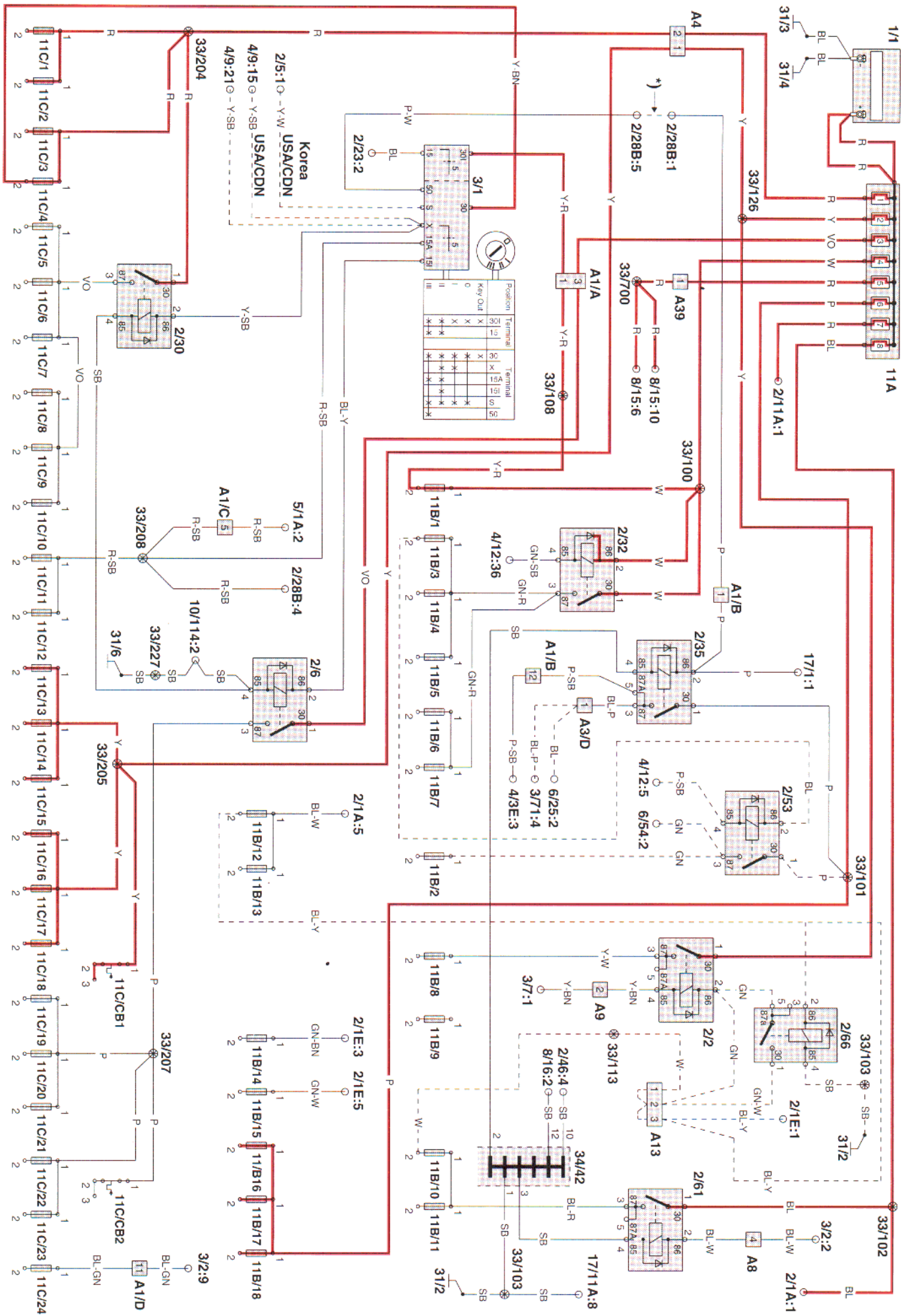
-  = no voltage
-  = system voltage
-  = voltage lower than system voltage
-  = ground connection
-  = intertwined wires
-  = screened wire
-  = branch point
-  = cable continues to component



Branching points are numbered. On pages 14-29 you will find a list of the branching points where you can see to which other components the branching point leads.

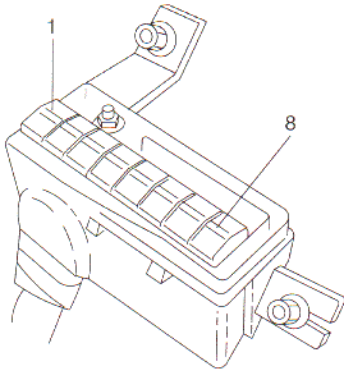
Power distribution

*) Cars without anti-theft alarm



Ignition switch, main fuse and relay-/fuse box in engine compartment

11A



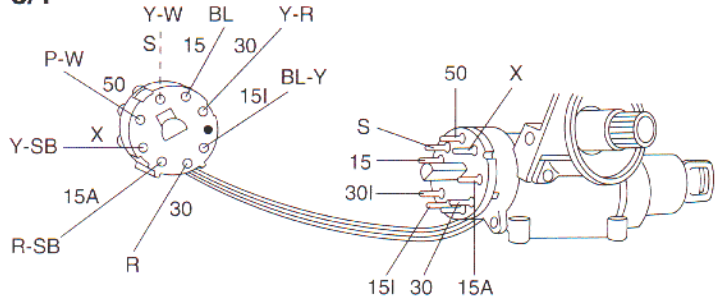
Main fuses, 11A at battery

8 fuses, 50 A each

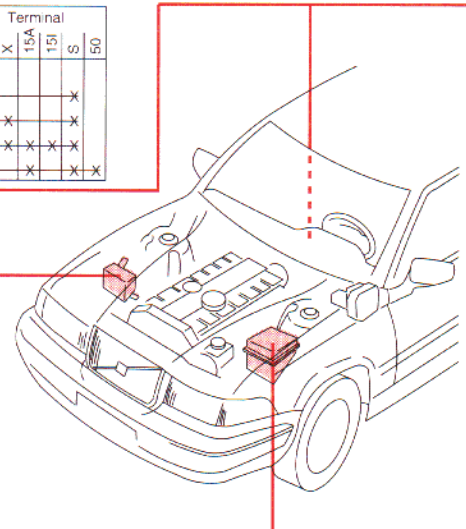
No. Supply 30+

- 1 Fuses 11C/1 up to and incl. 11C/4
Overload relay, X+(2/30)
- 2 Fuses 11C/13 up to and incl. 11C/18
Automatic fuse 11C/CB1
Relay, fog lights (2/2)
- 3 Overload relay, 15I+(2/6)
- 4 Fuse 11B/1 (for ignition lock connection 30I)
Fuses 11B/3 up to and incl. 11B/7
- 5 ABS hydraulic unit, connections 6 and 10
- 6 Fuses 11B/16 up to and incl. 11B/18
Starter motor relay 50 (2/35)
Air pump relay (2/53)
- 7 Engine cooling fan relay (2/11)
- 8 Parking/side lights relay (2/61)
Main headlight relay with bulb malfunction indicator

3/1

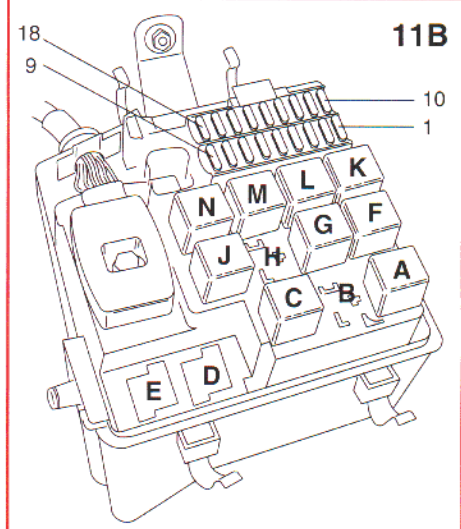


Position	Terminal		Terminal			
	30I	15	30	X	15A	S
Key Out	X		X			
0	X		X		X	
I	X		X	X	X	X
II	X	X	X	X	X	X
III	X	X	X	X	X	X



Fuses, 11B, in engine compartment relay/fuse box

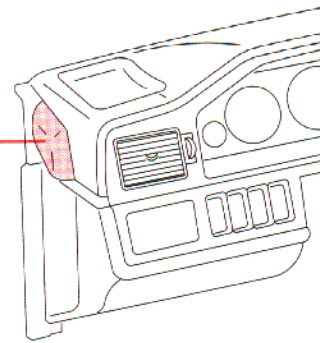
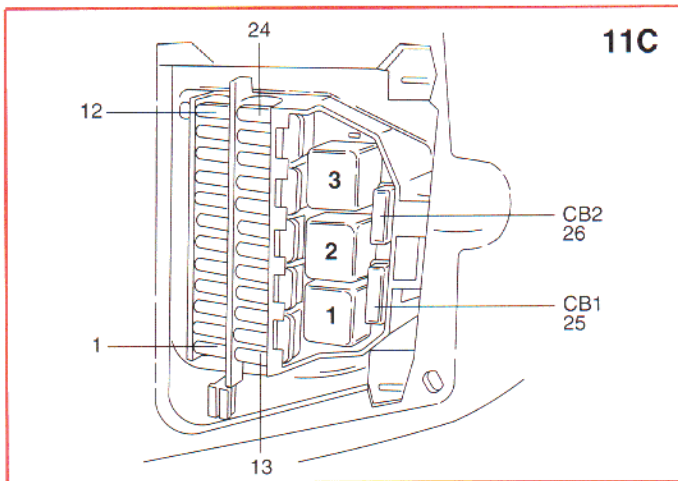
No.	Fused function	Amperes
1	Control module, Motronic 4.3 MFI	5
	Control module, automatic transmission (AW30-40/43)	
2	Auxiliary air system solenoid valve	5
3	EGR converter	5
4	Fuel pump relay	15
5	Fuel injection valve	15
	Mass air flow (MAF) sensor	
	IAC idling valve	
	Control module, Motronic 4.3 MFI	
6	Control module, automatic transmission AW30-40/43	15
7	Ignition coil	25
	Heating heated oxygen sensor (HO2S)	
8	Fog lights	25
9	Spare	
10	Left marker/side indication light	15
11	Right marker/side indication light	15
12	High beam, left	15
13	High beam, right	15
	Warning light, high beam	
14	Low beam, left	15
15	Low beam, right	15
16	A/C compressor	15
17	Horn 1	15
18	Accessories	



Relays in engine compartment relay/fuse box

- A Air pump relay, 2/53
- B Spare
- C Fuel system relay, 2/32
- D Spare
- E Spare
- F A/C relay, 2/22
- G Fog lights relay, 2/2
- H Spare
- J Ignition coil relay, 2/46
- K Starter motor relay, 2/35
- L Fog lights relay, 2/66
- M Marker/parking light relay, 2/61
- N Horn relay, 2/17

Fuse box / relays in car



Relays in fuse box

- 1 Overload relay X+, 2/30
- 2 Fuel pump relay, 2/23
- 3 Overload relay 15I+, 2/6

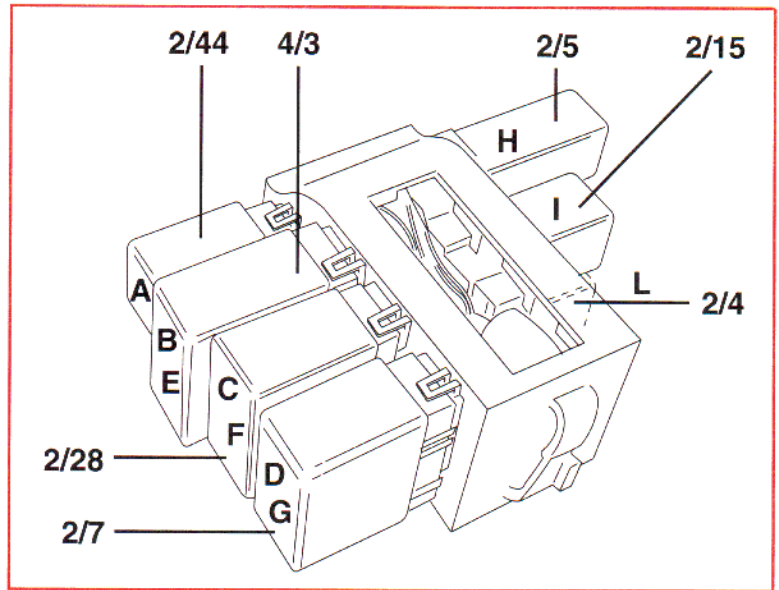
No.	Fused function	Supply	Ampere
1	Relay, el. heated rear window/door mirrors	30+	25
2	Central locking Anti-theft alarm	30+	20
3	Brake lights Light switch	30+	15
4	Ignition switch SRS	30+	10
5	Spare	X+	
6	Windshield wash/wipe Headlight wash/wipe Horn relay	X+	25
7	Climate unit	X+	20
8	Power seat Power door mirrors Tailgate wash/wipe 5-door Rheostat Ambient temperature sensor	X+	15
9	Radio	X+	15
10	Beam width control Cigar lighter	X+	15
11	Courtesy lighting Mode selector, AW30-40/43	15A+	5
12	ABS	15A+	5
13	Clock Courtesy and glove compartment lighting Door warning lights Trunk lighting Vanity mirror lighting	30+	10
14	Anti-theft alarm	30+	5
15	Power antenna High beam flash Compact Disc changer Indicator lamp, trailer	30+	20
16	(Parking heater)	30+	20
17	Turn signal indicator-hazard flashers Anti-theft alarm	30+	20
18	Radio	30+	15
19	Backup (reversing) lights Turn indicator Cruise control	15I+	15
20	Light switch	15I+	15
21	Seat belt reminder P-shift lock Heated rear window and door mirrors Rear bulb malfunction indicator, connection 8 Temperature sensor (Japan)	15I+	5
22	Heated driver seat +15I	15I+	15
23	Heated passenger seat +15I	15I+	15
24	Switch, rear fog light	15I+ (via 3/2)	5

Automatic fuses

CB1	Power seat	30+	30
CB2	Power windows Power sunroof	15I+	30

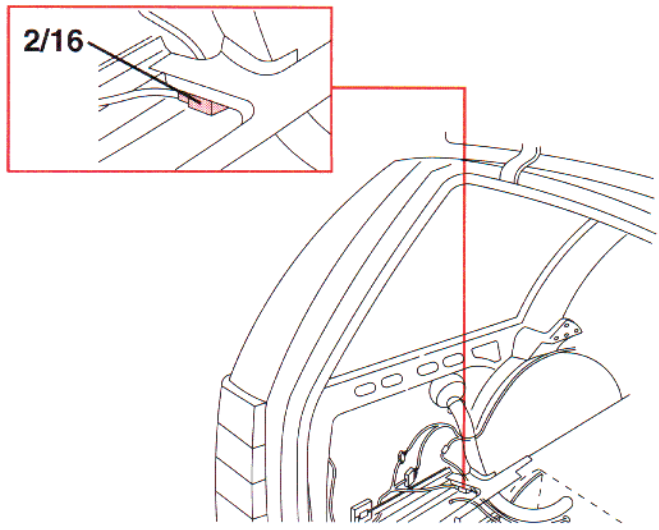
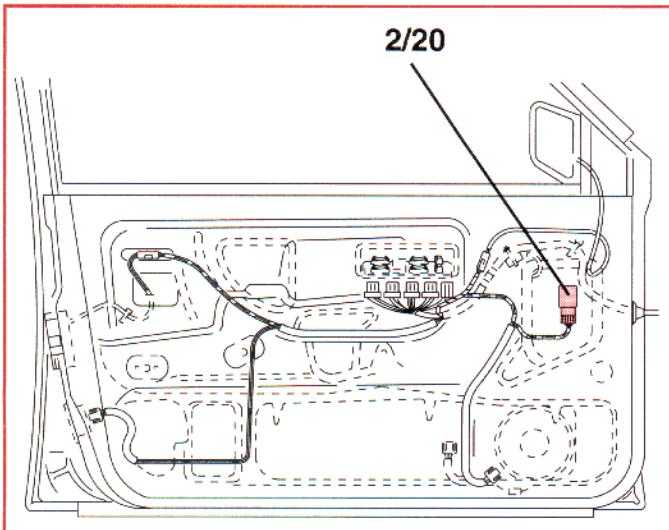
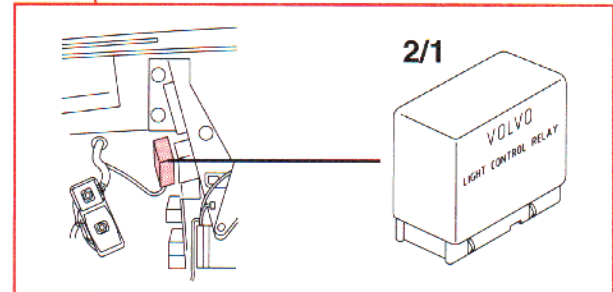
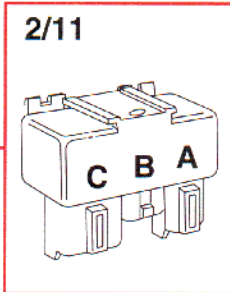
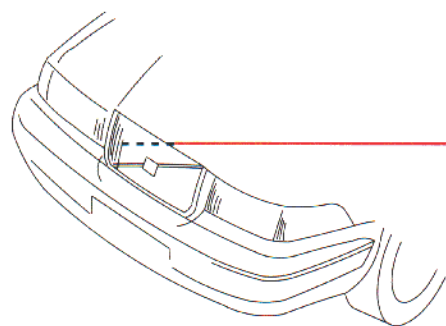
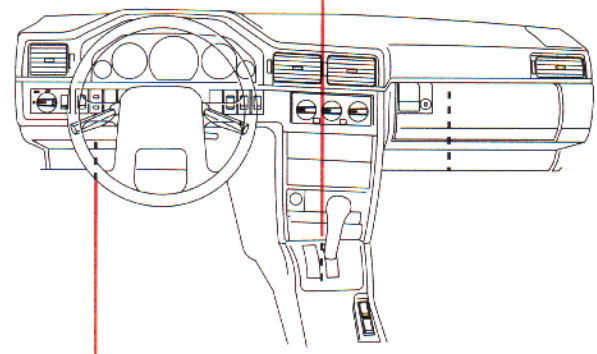
Central relay unit, in car (tunnel)

- 2/4 Windshield wiper intermittent relay
- 2/5 Seatbelt reminder/key warning relay
- 2/7 Central lock relay
- 2/15 Exhaust temperature sensor relay (Japan)
- 2/28 Anti-theft alarm relay
- 2/44 Rear window and door mirror heating relay
- 4/3 Control module, cruise control



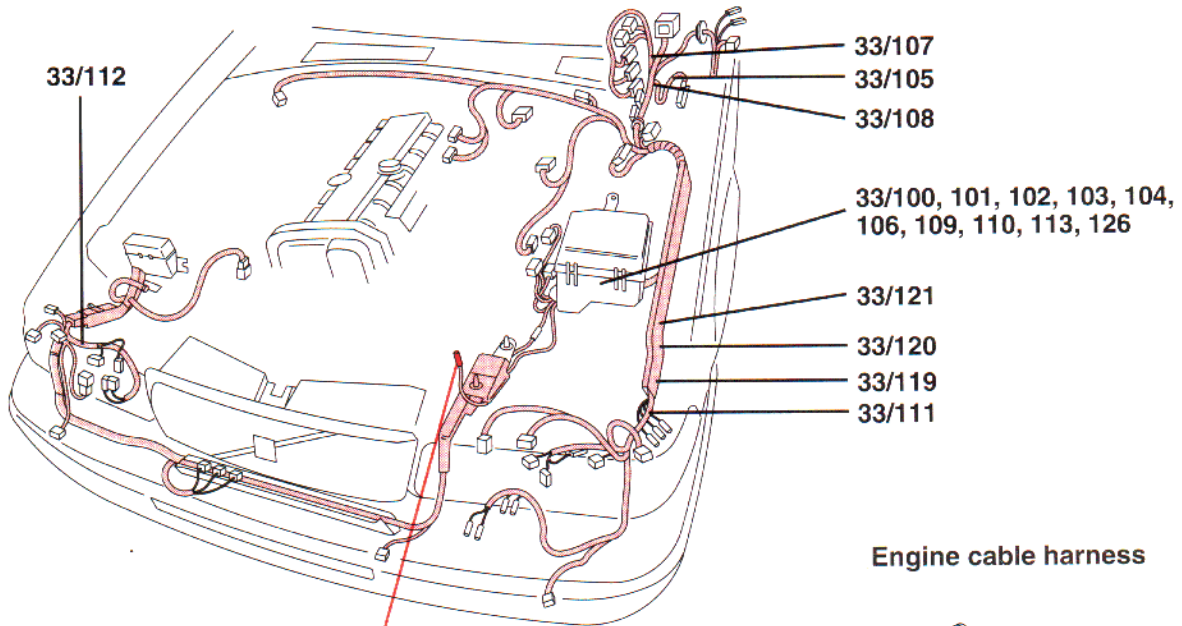
Other relays

- 2/1 Main headlight relay with bulb malfunction indicator
- 2/11 Engine cooling fan (FC) relay
- 2/16 Tailgate wiper, intermittent relay (5-door)
- 2/20 Relay auto-down power windows

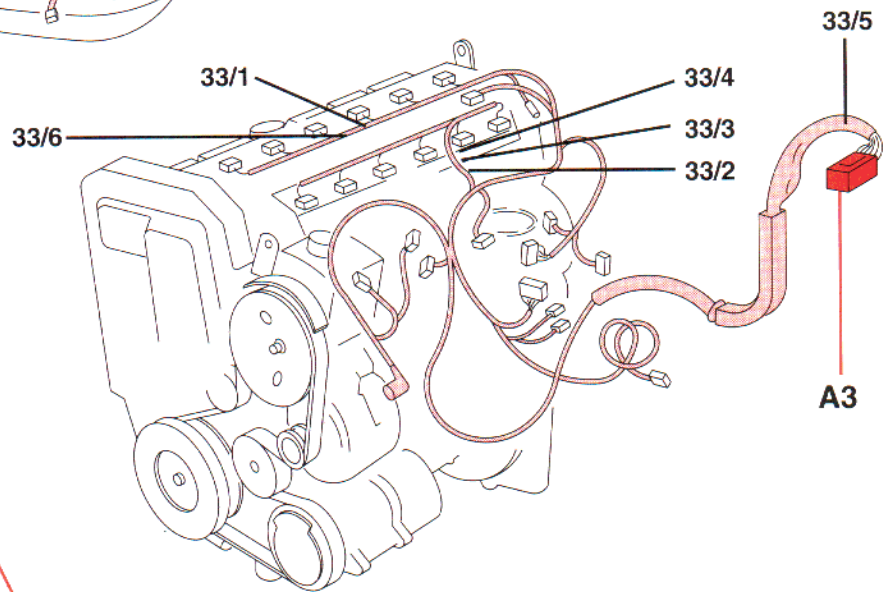


Cable harness routing in car

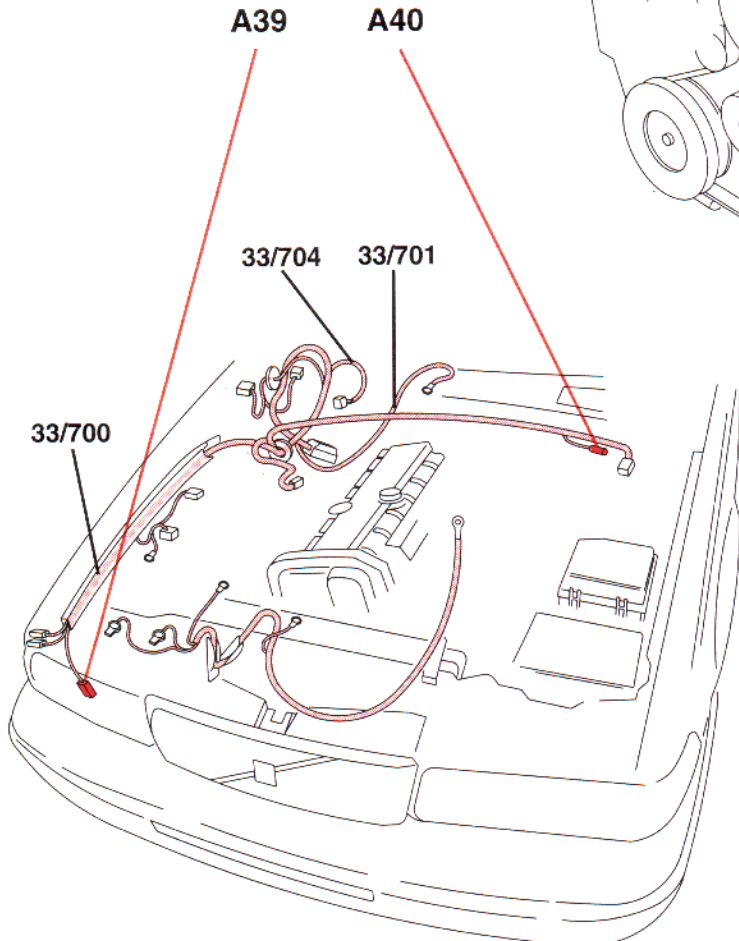
Engine compartment cable harness



Engine cable harness



A39 A40



ABS cable harness

Branching points

For location of branching points, refer to
Cable harness routing in the car pages 9-13

33/1 (Engine harness)

On/Off	Color	Remarks
2/46:3 Ignition coils, relay (via multi-connector A3/E:1 in relay/fusebox engine compartment)	GN-R	
20/3:2- 20/6:2 Sparkplugs (with ignition coils)	GN-R	

33/2 (Engine harness)

On/Off	Color	Remarks
33/106 Branch point (via multi-connector A3/E:14 in relay/fusebox engine compartment)	GN	
8/6:1- 8/11:1 Injectors	GN	

33/3 (Engine harness)

On/Off	Color	Remarks
4/12:16 Motronic MFI control module (via multi-connector A3/F:14 in relay/fusebox engine compartment)	P-W	
8/8:2, 8/10:2- 8/11:2 Injectors	P-W	

33/4 (Engine harness)

On/Off	Color	Remarks
4/12:17 Motronic MFI control module (via multi-connector A3/F:10 in relay/fusebox engine compartment)	BN-GR	
8/6:2- 8/7:2, 8/9:2 Injectors	BN-GR	

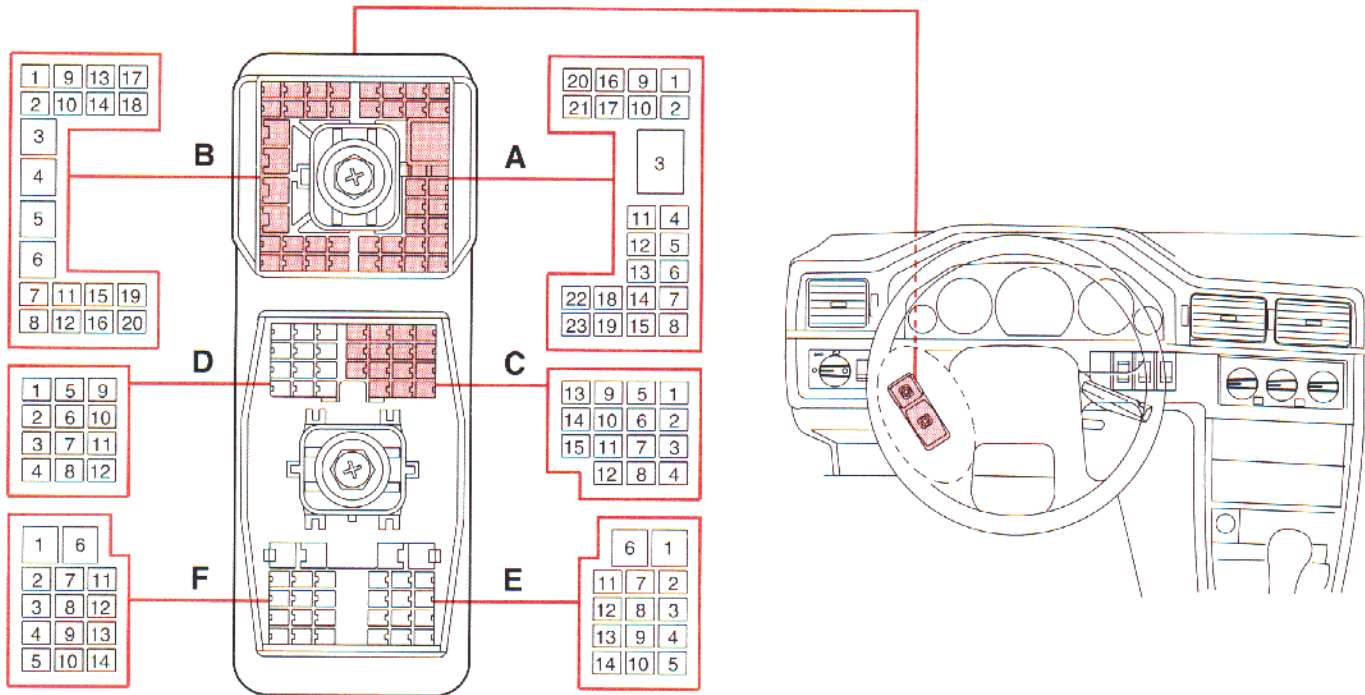
33/5 (Engine harness)

On/Off	Color	Remarks
31/33 Engine ground point (signal ground)	BN	
33/109 Branch point (Relay/fusebox in engine compartment) (via multi-connector A3/E:13 in relay/fusebox engine compartment)	BN	
- Cable shield for Ignition Discharge Modules 1 and 2 Motronic MFI		

33/6 (Engine harness)

On/Off	Color	Remarks
4/38:1 Ignition Discharge Module 1 Motronic MFI	R-W	
17/8 Service connector: kl 1, cyl. 1 (engine)	R-W	
20/3:1 Sparkplugs (with ignition coils)	R-W	

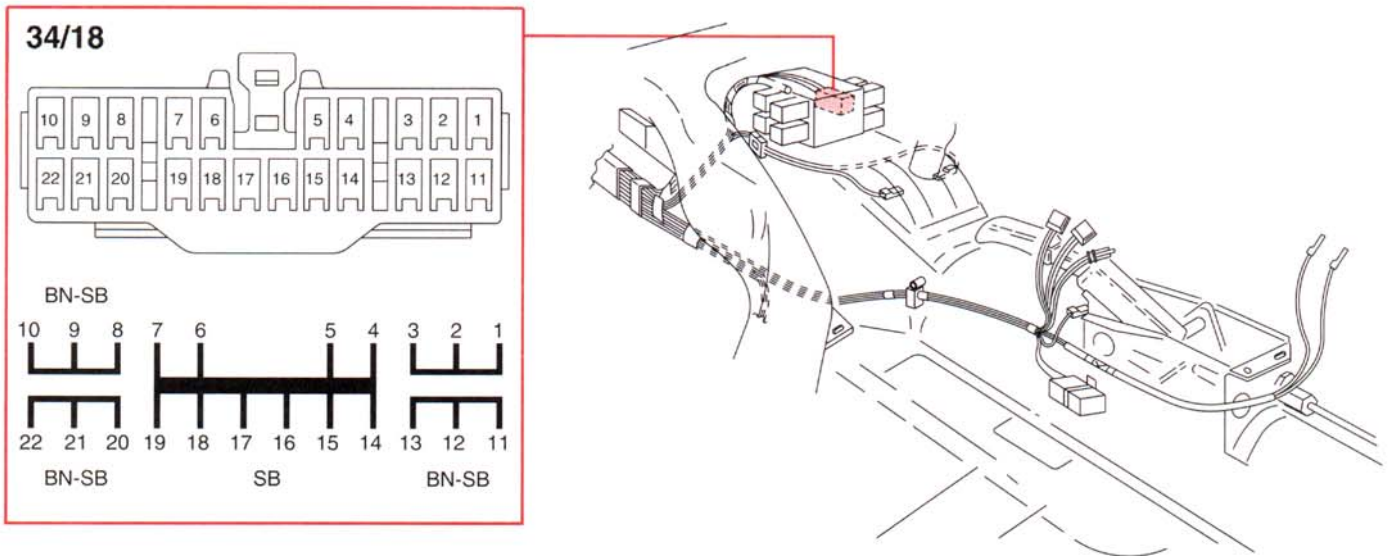
Multi-connector A1 under dashboard, left A-post



A Cable harness in-car - cable harness engine compartment

Pos.	ON/OFF	Color
1	Ignition switch 30+supply, connection 30I	Y-R
2	Horn switch on horn contact +	BN-SB
3	Ignition switch, overload relay 15I	VO
4	Door switch, driver door - Interior lighting w/delay - Anti-theft car alarm relay - Courtesy lighting	W-SB
5	Door switch, driver door	BL-SB
6		
7		
8	Windshield wipe/wash switch	BL-R
9	Anti-theft alarm. connection A:4	BN-W
10	Ignition coil relay, connection 2	GN
11	Transmission control module, connection B:2	BN-OR
12		
13	Transmission control module, connection B:11	GR-R
14	Transmission control module, connection B:9	GN-Y
15	Transmission control module, connection B:10	Y-BN
16	Fuel pump relay, connection 4	BN-P
17	Fuel pump relay, connection 1	Y-GR
18	OBDII (Diagnostic) socket B connection 6	W
19	OBDII (Diagnostic) socket B connection 5	GR-OR
20	15+ supply from ignition lock via fuel pump relay	BL
21	Control module, Motronic MFI, connection 41	BN
22		
23	X+ supply to terminal block, 34/42, in relay/fuse box in engine compartment	Y

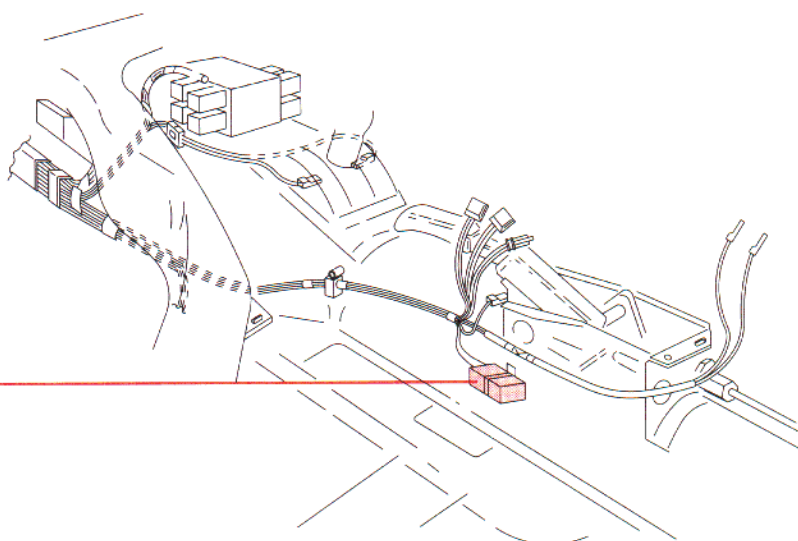
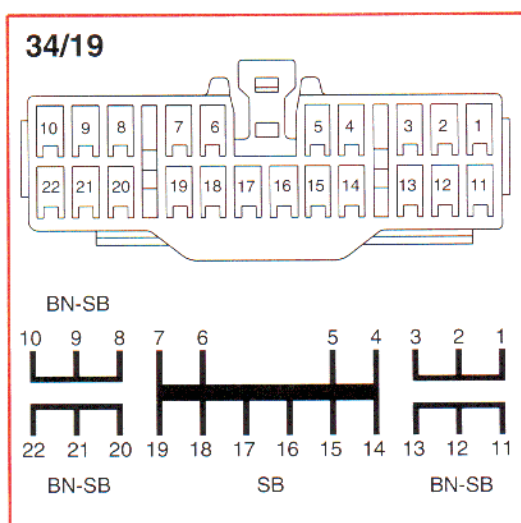
Terminal block in central relay module in-car



34/18 22-pin connector: terminal block in central relay module in-car

Pos.	ON/OFF	Color
1		
2		
3		
4	2/4:2 Windshield wiper intermittent relay	SB
5	34/19:5 22-pin connector: terminal block at parking brake bracket	SB
6	31/10 Ground point right seat lifter	SB
7		
8	33/200 Branch point (In-car harness)	BN-SB
9	10/39:1 Lighting switch heated seat	BN-SB
10	10/38:1 Ashtray lighting, rear	BN-SB
11	3/63:4 Driving mode selector, automatic transmission	BN-SB
12	10/40:1 Gear selector light (via connector A34:1 in-car harness)	BN-SB
13	33/200 Branch point (In-car harness)	BN-SB
14	2/44:6 Relay rear window/door mirror heating	SB
15	2/5:2 Seatbelt reminder/key warning relay	SB
16	2/28A:2 Car alarm relay	SB
17	2/15:4 Relay, exhaust temperature sensor	SB
18		
19		
20	33/200 Branch point (In-car harness)	BN-SB
21	4/6A:7 Control module, ECC 4/40A:5 MCC control module (via connector A11:5 In-car harness - ECC harness)	BN-SB BN-SB
22	D10:3 Connector (In-car harness - accessories)	BN-SB

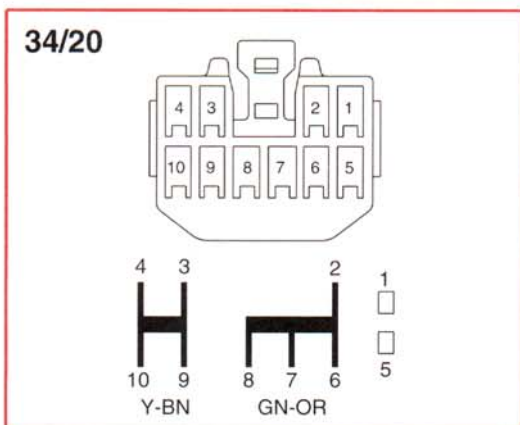
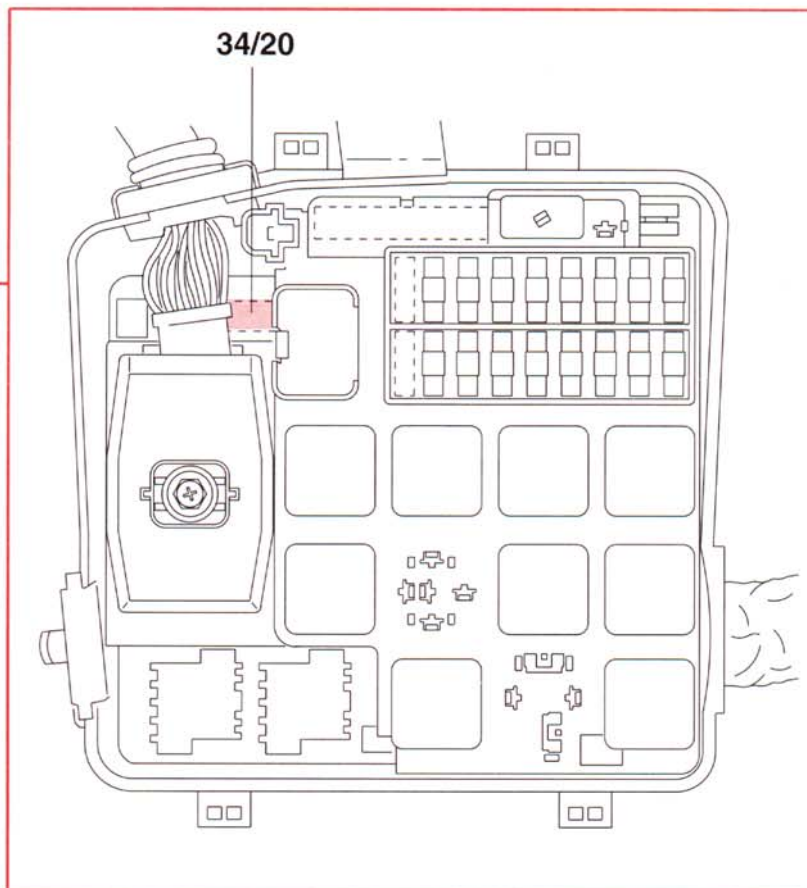
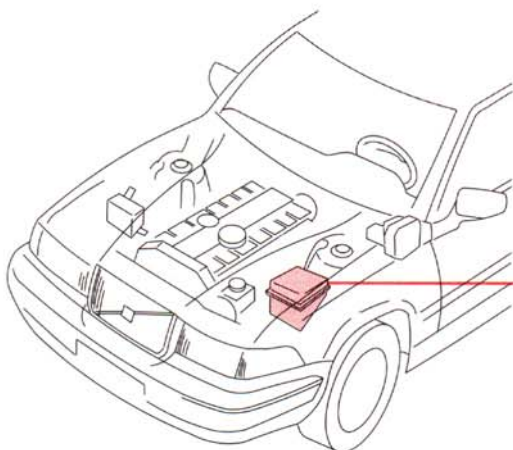
Terminal block at parking brake bracket



34/19 22-pin connector: terminal block at parking brake bracket

Pos.	ON/OFF	Color
1	3/63:7 Driving mode selector, automatic transmission	BL-GN
2	11C/11:2 Fuse, in-car	BL-GN
3	2/7B:4 Central locking/delayed courtesy lighting relay	BL-GN
4		
5	34/18:5 22-pin connector: Terminal block in-car central relay module	SB
6	31/10 Ground point right seat lifter	SB
7	9/22B:4 Heated seat, driver	SB
8	33/201 Branch point (In-car harness)	SB
9		
10	3/63:5 Driving mode selector, automatic transmission	SB
11	4/6:6 Control module, ECC (via connector A10:1 In-car harness - ECC)	Y-GR
12	5/1D:1 Combined instrument (via multi-connector A1/E:13 at left A-post)	Y-GR
13	4/3B:8 Control module, Cruise control	Y-GR
14	5/1A:4 Combined instrument (via multi-connector A1/D:4 at left A-post)	SB
15	10/39:2 Heated seat switch	SB
16	10/38:2 Ashtray lighting, rear	SB
17	3/28:3 Heated driver seat switch	SB
18	3/29:3 Heated passenger seat switch	SB
19	33/201 Branch point (In-car harness)	SB
20	33/201 Branch point (In-car harness)	SB
21	10/40:2 Gear selector light (via connector A34:3 in-car harness)	SB
22	8/36:4 Solenoid, P-shift lock (via connector A34:4 in-car harness)	SB

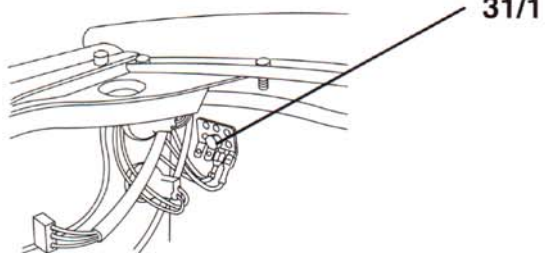
Terminal blocks in relay/fusebox engine compartment



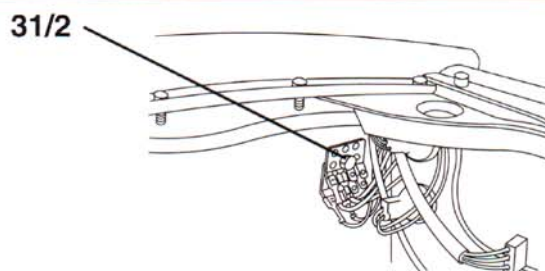
34/20 10-pin connector: terminal block in central relay module/fusebox engine compartment

Pos.	ON/OFF	Color
1		
2	2/11B:1 Engine cooling fan FC relay	GN-OR
3	2/11B:2 Engine cooling fan FC relay	Y-BN
4		
5		
6	7/38:2 Low speed pressure sensor engine cooling fan FC	GN-OR
7	4/12:14 Motronic MFI control module	GN-OR
8		
9	7/40:2 High speed pressure sensor engine cooling fan FC	Y-BN
10	4/12:34 Motronic MFI control module	Y-BN

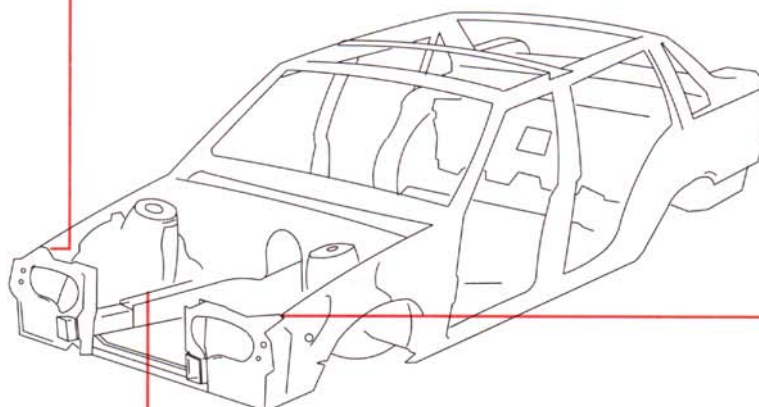
Ground connections



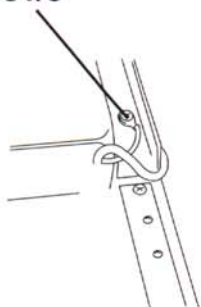
Right headlight
 Right flasher light
 Right parking light
 Right fog light
 Right headlight wiper motor
 Hydraulic modulator ABS
 Air pump motor (Motronic 4.3 MFI)
 Pressure indicator relay, engine cooling fan
 Coolant level sensor



Horn
 Left headlight
 Left flasher light
 Left parking light
 Left headlight wiper motor
 Main headlight relay with bulb malfunction warning
 Washer motor front
 Washer fluid level indicator
 Left fog light
 Terminal block, 34/42, in relay/fuse box in engine compartment
 Fog light relay, 2/66 (USA)
 Brake fluid level sensor
 OBDII (Diagnostic) socket A

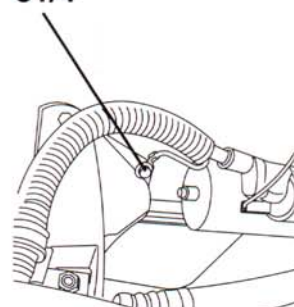


31/3



Ground connection battery - chassis

31/4



Ground connection battery - engine

Motronic MFI Multiport Fuel Injection System

