

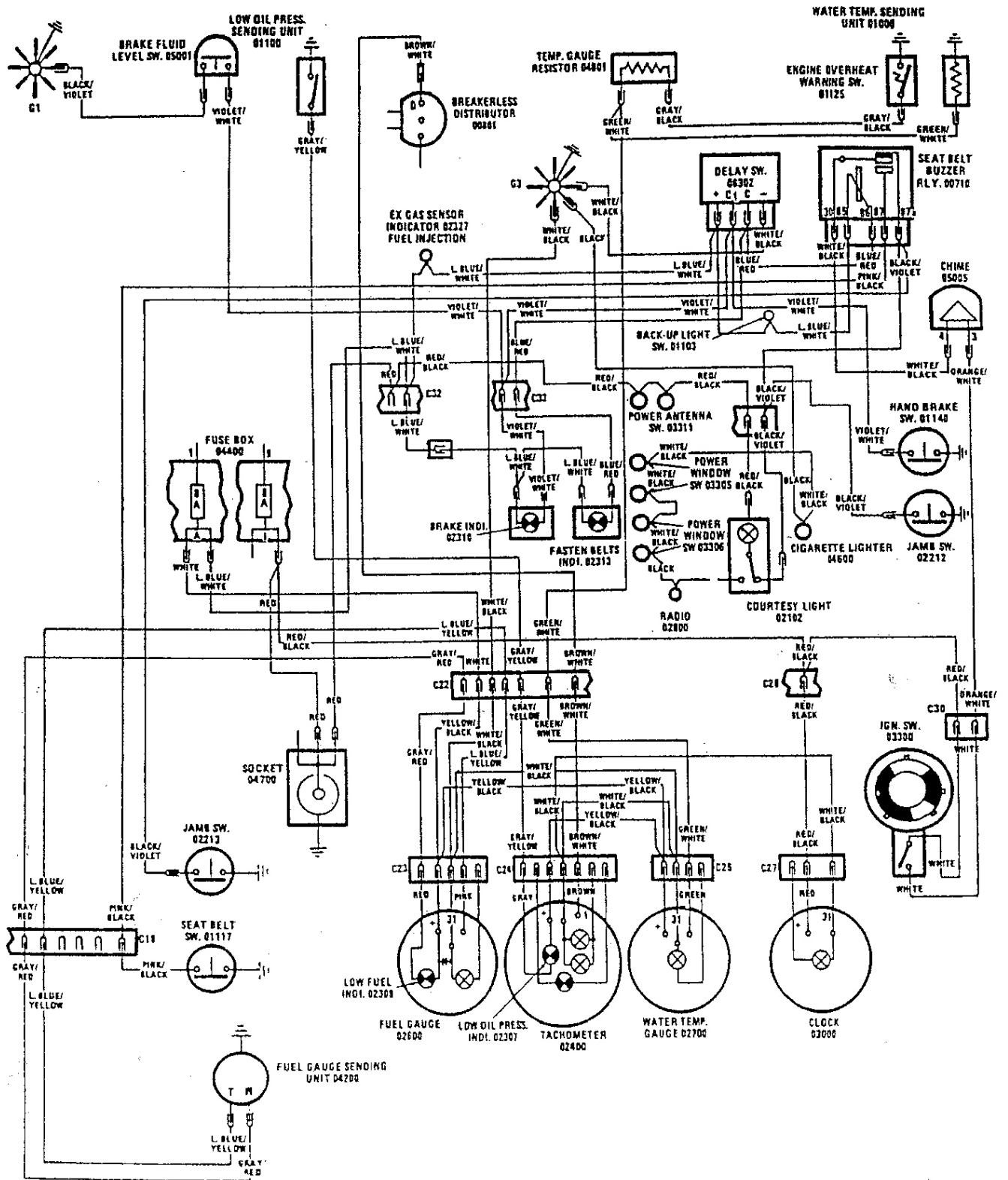


124 Spider
1975 thru 1982

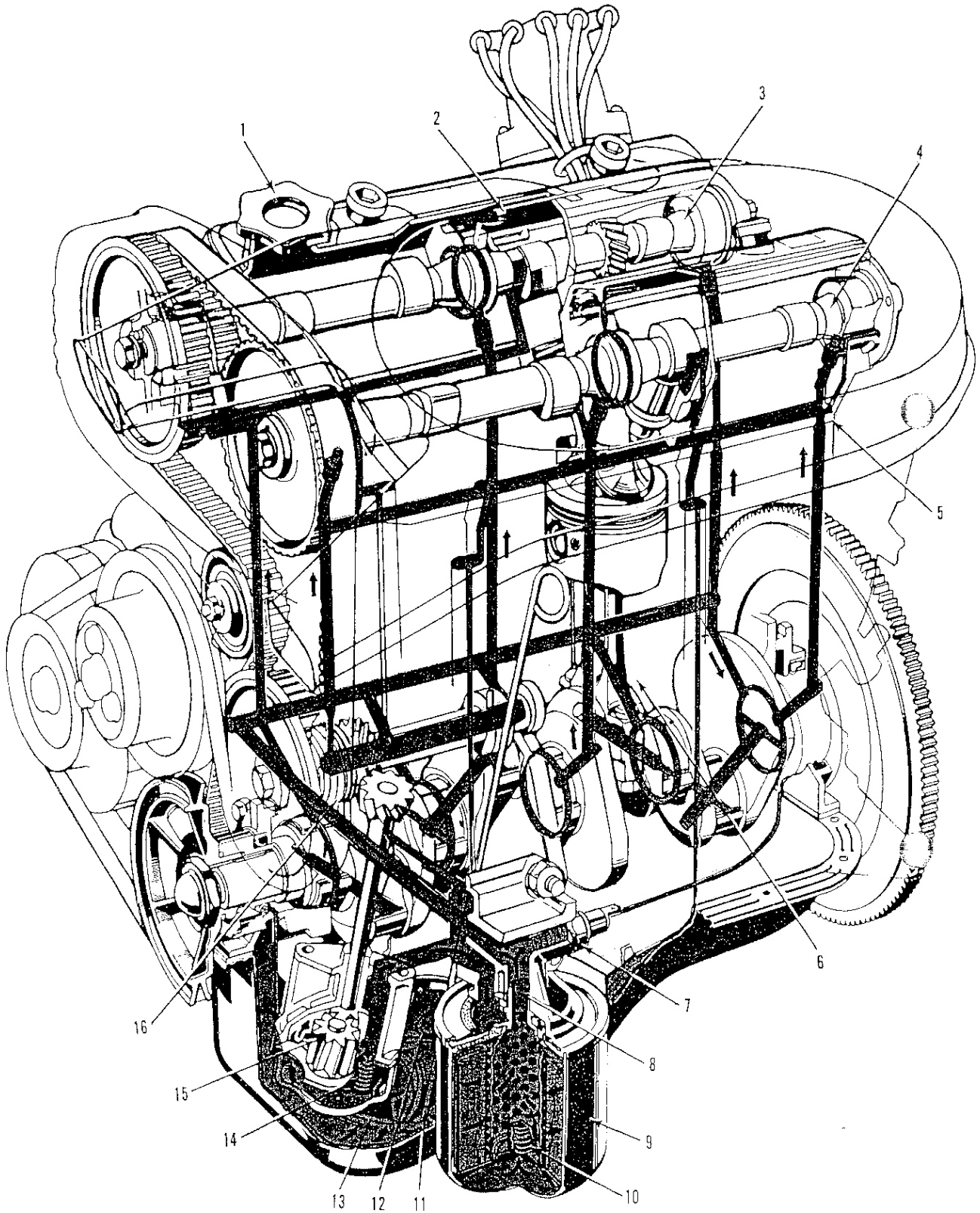
Factory Workshop Service Manual Set

Fiat Motors of North America, Inc.

Instruments, Indicators, Seat Belt and Remove Key Warning, Courtesy Light, Clock, and Socket Circuits



0-1



- | | | |
|--------------------------------------|---|-----------------------------------|
| 1. Oil filter cap | 7. Low oil sending unit | 13. Oil pump suction intake |
| 2. Oil spurt for camshaft and tappet | 8. Oil delivery-filter to engine components | 14. Relief valve |
| 3. Exhaust camshaft | 9. Oil filter | 15. Oil pump |
| 4. Intake camshaft | 10. Filter by-pass valve | 16. Duct for oil pump drive gears |
| 5. Oil return from tappets | 11. Dipstick | |
| 6. Oil spurt for cylinder walls | 12. Oil sump drain plug | |

ENGINE LUBRICATION DIAGRAM