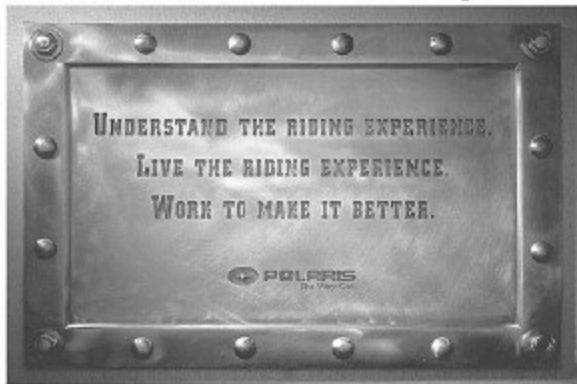




POLARIS
The Way Out.

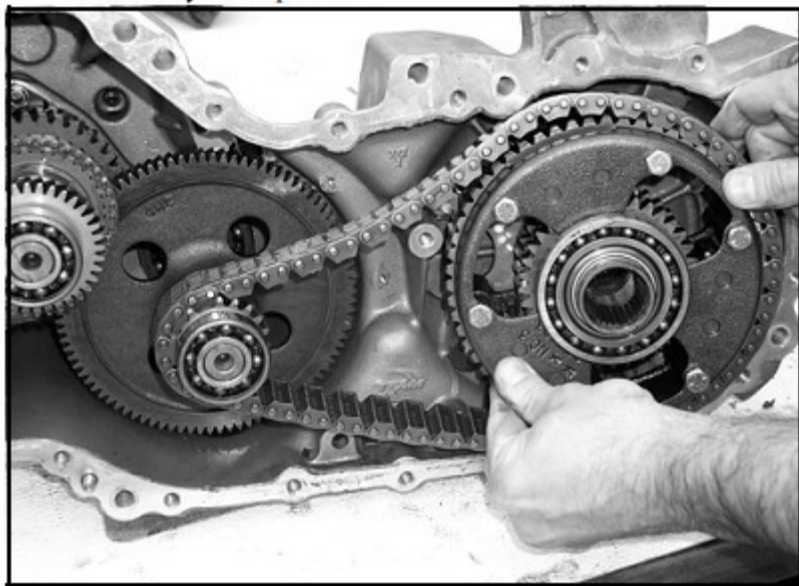


2008 SPORTSMAN 500 EFI / X2 / TOURING / 500 H.O.
SERVICE MANUAL

TRANSMISSION

12. Install the rear drive differential and drive chain, following these precautions:

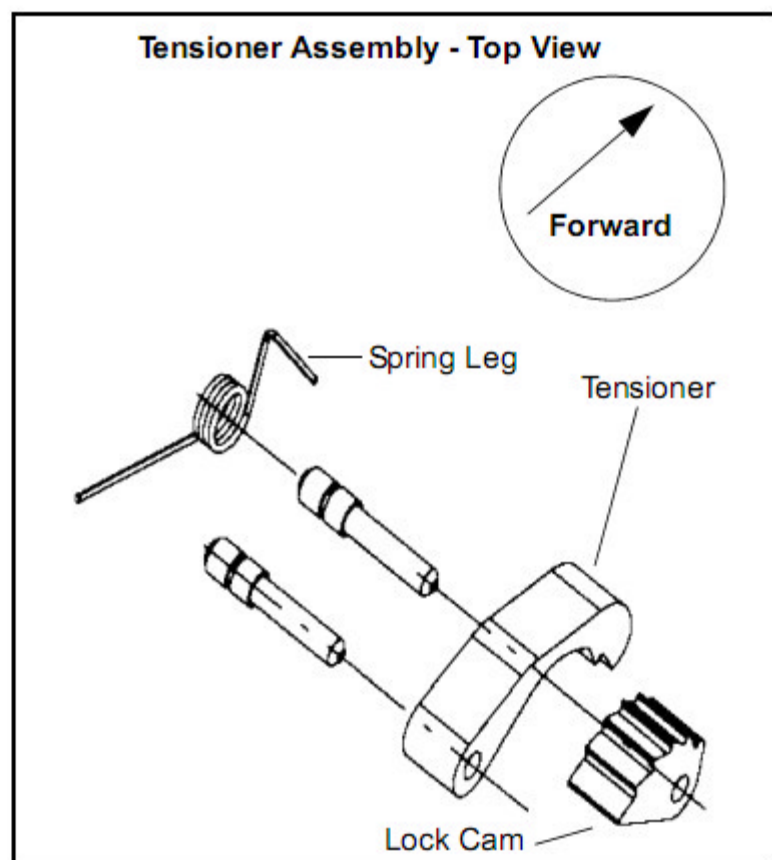
- The case half rear output seal should be removed prior to installation of the differential, as seal damage can occur with seal installed due to the angle of entry.
- **X2 and Touring** - Install the differential sliding gear dog onto the shift fork arms at the same time the silent chain is installed.
- The differential gear bearing may be lightly tapped into place. The case half seal can be installed once the assembly is in place.



13. Tensioner Installation:

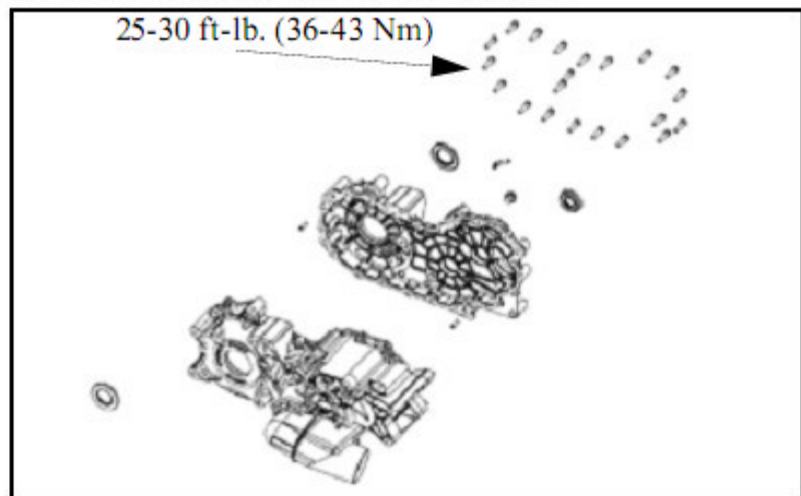
NOTE: Case-half mating may be difficult due to tensioner installation. Release tension to aid installation.

- Place the tensioner cam on the front spacer and tensioner shoe on the rear spacer.
- Insert the pins through the cam and through the shoe.
- Place the spring over the front pin and hook the spring leg under the cam.
- Lift the leg of the spring up and over the rear pin. The tensioner cam will lift the shoe and tension chain.



14. Apply a continuous bead of Crankcase Sealant (3-Bond (PN 2871557) to the LH gearcase mating surface and install the cover. Install and tighten the 22 screws in a criss cross pattern to evenly secure the cover. Torque the screws to 25-30 ft.lbs. (36-43 Nm).

NOTE: Case-half mating may be difficult due to tensioner installation. Release tension to aid installation.



View From Left Side of Transmission

←
Forward

