

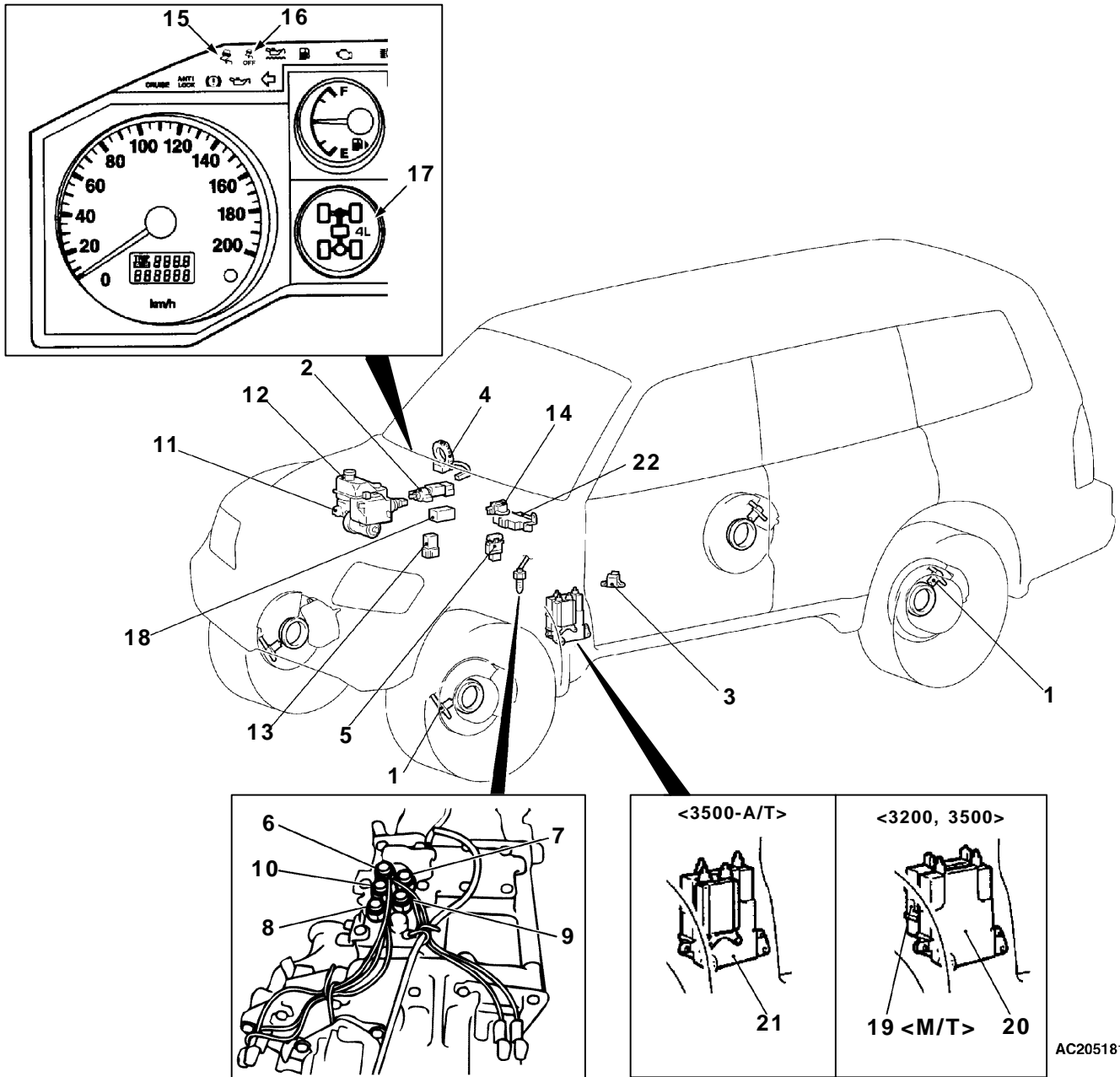
TECHNICAL FEATURES

mitsubishi Active Stability and Traction Control System (M-ASTC), mitsubishi Active Traction Control System (M-ATC)

MITSUBISHI Active Stability and Traction Control system (M-ASTC) has been installed as an option for 3200 for Australia, and MITSUBISHI Active Traction Control system (M-ATC) has been installed as an option for 3500 for GENERAL EXPORT (except TAIWAN) and Australia.

M-ATC is a system that automatically applies braking force to the freewheeling drive wheels caused by driving on the partially low-friction efficiency road surface and improper contact of wheel with the road so that loss of driving power by freewheeling drive wheels can be prevented and driving ability equivalent to differential lock can be provided. M-ASTC integrates functions of M-ATC and active stability control system to control critical behavior of a vehicle driving to the limit by suppressing the engine output as well as individually applying braking force to each wheel according to the driving condition into one.

CONSTRUCTION DIAGRAM



AC205181

- 1. ABS sensor
- 2. Stoplight switch
- 3. G and yaw rate sensor
- 4. Steering wheel sensor<Vehicles with M-ASTC>
- 5. Active stability control switch<Vehicles with M-ASTC>
- 6. 2WD/4WD switch
- 7. 4LLc switch
- 8. Center differential lock switch
- 9. 2WD switch
- 10. 4H switch
- 11. Master cylinder pressure sensor
- 12. Hydraulic brake booster (HBB)
- 13. Valve relay
- 14. HBB buzzer
- 15. Active Stability Control system ON indicator/Active Traction Control system indicator
- 16. Active Stability Control OFF indicator <Vehicles with M-ASTC>
- 17. 4WD indicator lamp
- 18. Diagnosis connector
- 19. Engine ECU <3200, 3500-M/T>
- 20. A/T-ECU <3200>
- 21. Engine and A/T-ECU
- 22. MITSUBISHI Active Stability and Traction Control Unit <M-ASTC-ECU>, MITSUBISHI Active Traction Control Unit<M-ATC-ECU>

VEHICLE IDENTIFICATION**MODELS****VEHICLES FOR GENERAL EXPORT (Except BRAZIL, TAIWAN, HONG KONG, SOUTH AFRICA and ARGENTINA)****<Short wheelbase>**

Model code		Engine model	Transmission model	Fuel supply system
V66W	MNDFL/R	4M40 Intercooler Turbo-charger (2,835 mL)	V5M31 <5M/T>	Injection
	MNXFL			
	MRXFQL		V4A51 <4A/T>	
V63W	MRXVL	6G72-SOHC (2,972 mL)	V4A51 <4A/T>	MPI
	MRXVQL		V4A51 <4A/T>	
V65W	MYXVL	6G74-SOHC (3,496 mL)	V5A51 <5A/T>	
	MNXVQL		V5M31 <5M/T>	
	MYXVQL		V5A51 <5A/T>	

<Long wheelbase>

Model code		Engine model	Transmission model	Fuel supply system
V76W	LNDFL/R	4M40 Intercooler Turbo-charger (2,835 mL)	V5M31 <5M/T>	Injection
	LNHFL/R			
	LNXFRL/R			
	LRXFRL/R		V4A51 <4A/T>	
	LNDFQL		V5M31 <5M/T>	
	LNHFQL/R			
	LNXFQL			
	LRXFQL/R		V4A51 <4A/T>	

Model code		Engine model	Transmission model	Fuel supply system
V73W	LNDVL/R	6G72-SOHC (2,972 mL)	V5MT1 <5M/T>	MPI
	LNHVLR/R		V5M31 <5M/T>	
	LNXLV			
	LRXVL/R		V4A51 <4A/T>	
	LNDVQL		V5MT1 <5M/T>	
	LNHVQL/R		V5M31 <5M/T>	
	LRHVQL		V4A51 <4A/T>	
	LNXLVQL		V5M31 <5M/T>	
	LRXVQL/R		V4A51 <4A/T>	
V75W	LNXLVLR/R	6G74-SOHC (3,496 mL)	V5M31 <5M/T>	
	LYXLVLR/R		V5A51 <5A/T>	
	LNXLVQL		V5M31 <5M/T>	
	LYXLVQL		V5A51 <5A/T>	
	LYXCQR	6G74GDI (3,496 mL)		GDI
V78W	LNXLFQL	4M41-DOHC Intercooler Turbochager (3,200 mL)	V5M31 <5M/T>	Electronically-controlled high pressure fuel distribution
	LYXLFQL/R		V5A51 <5A/T>	

(BRAZIL)**<Short wheelbase>**

Model code		Engine model	Transmission model	Fuel supply system
V63W	MNXVQL1B	6G72-SOHC (2,972 mL)	V5M31 <5M/T>	MPI
V65W	MYXVQL1B	6G74-SOHC (3,496 mL)	V5A51 <5A/T>	

<Long wheelbase>

Model code		Engine model	Transmission model	Fuel supply system
V76W	LNXLFQL1B	4M40 Intercooler Turbo-charger (2,835 mL)	V5M31 <5M/T>	Injection
	LRXLFQL1B		V4A51 <4A/T>	
V73W	LRXVQL1B	6G72-SOHC (2,972 mL)	V4A51 <4A/T>	MPI
V75W	LYXLVQL1B	6G74-SOHC (3,496 mL)	V5A51 <5A/T>	
V78W	LNXLFQL1B	4M41-DOHC Intercooler Turbochager (3,200 mL)	V5M31 <5M/T>	Electronically-controlled high pressure fuel distribution
	LYXLFQL1B		V5A51 <5A/T>	

(TAIWAN)**<Long wheelbase>**

Model code		Engine model	Transmission model	Fuel supply system
V75W	LYXVQL1Q	6G74-SOHC (3,496 mL)	V5A51 <5A/T>	MPI

(HONG KONG)**<Long wheelbase>**

Model code		Engine model	Transmission model	Fuel supply system
V73W	LNDVQR1D	6G72-SOHC (2,972 mL)	V5M31 <5M/T>	MPI
	LRUVQR1D		V4A51 <4A/T>	
V75W	LYXCQR1D	6G74 GDI (3,496 mL)	V5A51 <5A/T>	GDI

(SOUTH AFRICA)**<Short wheelbase>**

Model code		Engine model	Transmission model	Fuel supply system
V68W	MNXFR6S	4M41-DOHC Intercooler Turbochager (3,200 mL)	V5M31 <5M/T>	Electronically-controlled high pressure fuel distribution
	MYXFR6S		V5A51 <5A/T>	
V65W	MYXVR6S	6G74-SOHC (3,496 mL)	V5A51 <5A/T>	MPI

<Long wheelbase>

Model code		Engine model	Transmission model	Fuel supply system
V78W	LNFR6S	4M41-DOHC Intercooler Turbochager (3,200 mL)	V5M31 <5M/T>	Electronically-controlled high pressure fuel distribution
	LYXFR6S		V5A51 <5A/T>	
V75W	LNVR6S	6G74-SOHC (3,496 mL)	V5M31 <5M/T>	MPI
	LYXVR6S		V5A51 <5A/T>	

(ARGENTINA)**<Long wheelbase>**

Model code		Engine model	Transmission model	Fuel supply system
V76W	LNFL6A	4M40 Intercooler Turbo-charger (2,835 mL)	V5M31 <5M/T>	Injection
V78W	LNFL6A	4M41-DOHC Intercooler Turbochager (3,200 mL)		Electronically-controlled high pressure fuel distribution

VEHICLES FOR GCC
<Short wheelbase>

Model code		Engine model	Transmission model	Fuel supply system
V63W	MNDVLW	6G72-SOHC (2,972 mL)	V5MT1 <5M/T>	MPI
	MNXVLW		V5M31 <5M/T>	
	MRXVLW		V4A51 <4A/T>	
V65W	MNDVLW	6G74-SOHC (3,496 mL)	V5M31 <5M/T>	
	MNXVLW			
	MYXVLW		V5A51 <5A/T>	

<Long wheelbase>

Model code		Engine model	Transmission model	Fuel supply system
V73W	LNDVLW	6G72-SOHC (2,972 mL)	V5MT1 <5M/T>	MPI
	LRDVLW		V4A51 <4A/T>	
	LNHVLW		V5M31 <5M/T>	
	LRHVLW		V4A51 <4A/T>	
	LNXLVW		V5M31 <5M/T>	
	LRXLVW		V4A51 <4A/T>	
V75W	LNDVLW	6G74-SOHC (3,496 mL)	V5M31 <5M/T>	
	LNXLVW			
	LYXLVW		V5A51 <5A/T>	



VEHICLES FOR AUSTRALIA
<Long wheelbase>

Model code		Engine model	Transmission model	Fuel supply system
V78W	LNHFR8	4M41-DOHC Intercooler Turbochager (3,200 mL)	V5M31 <5M/T>	Electronically-controlled high pressure fuel distribution
	LYHFR8		V5A51 <5A/T>	
	LNFR8		V5M31 <5M/T>	
	LYXFR8		V5A51 <5A/T>	
	LNPFR8		V5M31 <5M/T>	
	LYPFR8		V5A51 <5A/T>	
V75W	LNHVR8	6G74-SOHC (3,496 mL)	V5M31 <5M/T>	MPI
	LYHVR8		V5A51 <5A/T>	
	LNVR8		V5M31 <5M/T>	
	LYXVR8		V5A51 <5A/T>	
	LYPVR8			

CHASSIS NUMBER

The model year has been updated.



VEHICLES FOR GENERAL EXPORT AND AUSTRALIA


J **M** **Y** **M** **N** **V6** **3** **W** **3** **J** **000001** 
 | | | | | | | | | | |
 1 2 3 4 5 6 7 8 9 10 11

CX1467CA

No.	Items		Contents
1	Fixed figure	J	Asia
2	Distribution channel	M	Japan channel
3	Destination	Y	For General Export
		F	For Australia
4	Body style	M	2-door
		L	4-door
5	Transmission type	N	5-speed manual transmission
		R	4-speed automatic transmission
		Y	5-speed automatic transmission
6	Development order	V6	MITSUBISHI PAJERO short wheelbase
		V7	MITSUBISHI PAJERO long wheelbase
7	Engine	3	6G72: 2,972 mL petrol engine
		5	6G74: 3,496 mL petrol engine
		6	4M40: 2,835 mL diesel engine
		8	4M41: 3,200 mL diesel engine
8	Sort	W	Station wagon
9	Model year	3	2003
10	Plant	J	Pajero Manufacturing Co., Ltd.
11	Serial number	–	000001: Genera Export (Except BRAZIL), Australia 100001: since January, 2001 (BRAZIL)

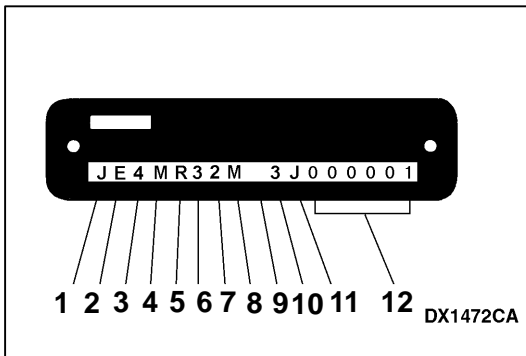
VEHICLES FOR GCC


J **M** **Y** **M** **N** **V6** **3** **W** **3** **J** **700001** 

1 2 3 4 5 6 7 8 9 10 11

BX1468CA

No.	Items		Contents
1	Fixed figure	J	Asia
2	Distribution channel	M	Japan channel
3	Destination	Y	For GCC
4	Body style	M	2-door
		L	4-door
5	Transmission type	N	5-speed manual transmission
		R	4-speed automatic transmission
		Y	5-speed automatic transmission
6	Development order	V6	MITSUBISHI PAJERO short wheelbase
		V7	MITSUBISHI PAJERO long wheelbase
7	Engine	3	6G72: 2,972 mL petrol engine
		5	6G74: 3,496 mL petrol engine
8	Sort	W	Station wagon
9	Model year	3	2003
10	Plant	J	Pajero Manufacturing Co., Ltd.
11	Serial number	–	700001 to 799999



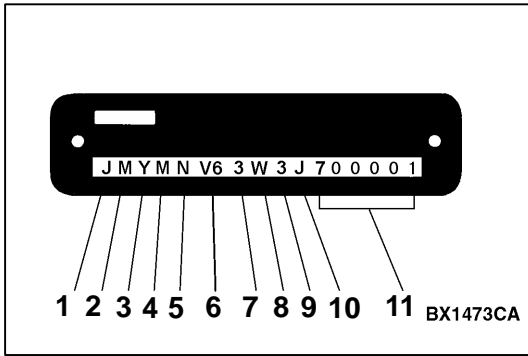
VEHICLE IDENTIFICATION CODE CHART PLATE (GCC ONLY)

The model year has been updated.

No.	Items	Contents
1	Country	J: Japan
2	Make	E: Mitsubishi
3	Vehicle type	4: Multi-purpose passenger vehicle (MPV)
4	Others	M: 2,268kg – 2,722kg/HYDRAULIC
5	Car line	R: PAJERO
6	Price class	3: GL 5: GLX 6: GLS
7	Body	2: 4-door 3: 2-door
8	Engine	M: 3.0L MPI N: 3.5L MPI
9	Check digits*1	1, 2, 3,9, X
10	Model year	3: 2003 year
11	Plants	J: Pajero Manufacturing Co., Ltd.
12	Serial number	700001 to 799999

NOTE

*1: Check digit means a single number or letter X used to verify the accuracy of transcription of vehicle identification number.



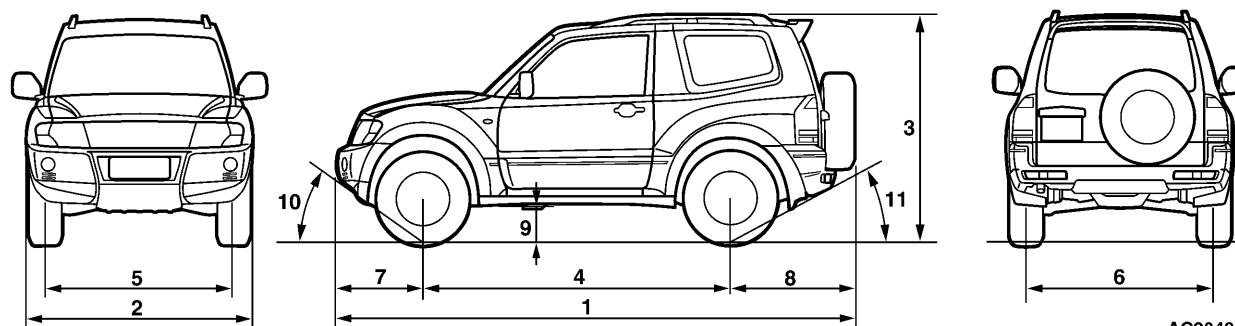
<UAE, Kuwait and Oman>

No.	Items		Contents
1	Fixed figure	J	Asia
2	Distribution channel	M	Japan channel
3	Destination	Y	For GCC
4	Body style	M	2-door
		L	4-door
5	Transmission type	N	5-speed manual transmission
		R	4-speed automatic transmission
		Y	5-speed automatic transmission
6	Development order	V6	PAJERO short wheelbase
		V7	PAJERO long wheelbase
7	Engine	3	6G72: 2,972 mL petrol engine
		5	6G74: 3,496 mL petrol engine
8	Sort	W	Station wagon
9	Model year	3	2003
10	Plant	J	Pajero Manufacturing Co., Ltd.
11	Serial number	–	700001 to 799999

MAJOR SPECIFICATIONS

The items other than listed below are the same as before.

<Short wheelbase>



AC204807AB

Item			V66W			V63W	V65W	
			MNDFL/R	MNXFL	MRXFQL	MRXVL, MRXVQL	MNXVQL	
Vehicle dimensions mm	Overall length	1	4,295*1, 4,315*2			4,315		
	Overall width	2	1,885	1,895				
	Overhang-front	7	745					
	Overhang-rear	8	1,005*1, 1,025*2					
	Angle of approach degrees	10	39°					
Vehicle weight kg	Kerb weight		1,870	1,940		1,890	1,930	
	Max. gross vehicle weight		2,510					
	Max. axle weight rating-front		1,200					
	Max. axle weight rating-rear		1,600					

Item			V65W	V63W	V65W	V68W	
			MYXVL, MYXVQL	MNXVQL1B	MYXVQL1B	MNXFR6S	MYXFR6S
Vehicle dimensions mm	Overall length	1	4,315				
	Overall width	2	1,895				
	Overhang-front	7	745				
	Overhang-rear	8	1,025				
	Angle of approach degrees	10	39°				
Vehicle weight kg	Kerb weight		1,930	1,890	1,930	2,010	2,010
	Max. gross vehicle weight		2,510				
	Max. axle weight rating-front		1,200				
	Max. axle weight rating-rear		1,600				

NOTE:

*1: Vehicles with 235/80R16 Tyre

*2: Vehicles with 265/70R16 Tyre

Item			V65W		V63W		V65W
			MYXVR6S	MNDVLW	MNXVLW	MRXVLW	MNDVLW
Vehicle dimensions mm	Overall length	1	4,315	4,295	4,315		4,295
	Overall width	2	1,895	1,885	1,895		1,885
	Overhang-front	7	745				
	Overhang-rear	8	1,005*1, 1,025*2				
	Angle of approach degrees	10	39°				
Vehicle weight kg	Kerb weight		1,930	1,800	1,890		1,860
	Max. gross vehicle weight		2,510				
	Max. axle weight rating-front		1,200				
	Max. axle weight rating-rear		1,600				

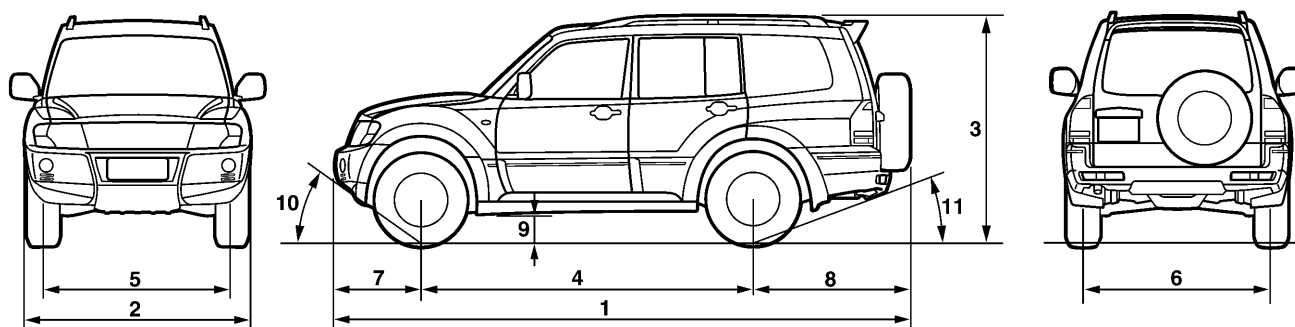
Item			V65W	
			MNXVLW	MYXVLW
Vehicle dimensions mm	Overall length	1	4,315	
	Overall width	2	1,895	
	Overhang-front	7	745	
	Overhang-rear	8	1,025	
	Angle of approach degrees	10	39°	
Vehicle weight kg	Kerb weight		1,930	
	Max. gross vehicle weight		2,510	
	Max. axle weight rating-front		1,200	
	Max. axle weight rating-rear		1,600	

NOTE:

*1: Vehicles with 235/80R16 Tyre

*2: Vehicles with 265/70R16 Tyre

<Long wheelbase>



AC204542

Item			V76W				V73W
			LNDFL/R, LNDFQL	LNHFL/R, LNHFQL/R	LNXFL/R, LNXFQL	LRXFL/R, LRXFQL/R	LNDVL/R, LNDVQL
Vehicle dimensions mm	Overall length	1	4,810* ¹ , 4,830* ²				4,810
	Overall width	2	1,885		1,895* ³		1,885
	Overhang-front	7	745				
Vehicle dimensions mm	Angle of approach degrees	10	39°				
Vehicle weight kg	Kerb weight		2,030	2,070	2,100		1,930
	Max. gross vehicle weight		2,650				
	Max. axle weight rating-front		1,200				
	Max. axle weight rating-rear		1,650				

Item			V73W				V75W
			LNHVL/R, LNHVQL/R	LRHVQL	LNXVL, LNXVQL	LRXVL/R, LRXVQL/R	LNXVL/R, LNXVQL
Vehicle dimensions mm	Overall length	1	4,810* ¹ , 4,830* ²		4,830		
	Overall width	2	1,885, 1,895* ³		1,895		
	Overhang-front	7	745				
	Angle of approach degrees	10	39°				
Vehicle weight kg	Kerb weight		1,990		2,020		2,060
	Max. gross vehicle weight		2,650				
	Max. axle weight rating-front		1,200				
	Max. axle weight rating-rear		1,650				

NOTE:

- *1: Vehicles with 235/80R16 Tyre
- *2: Vehicles with 265/70R16 Tyre
- *3: Vehicles with wheel cut moulding

Item			V75W		V78W		V76W
			LYXVL/R, LYXVQL	LYXCQR	LNXFQL	LYXFQL/R	LNXFQL1B
Vehicle dimensions mm	Overall length	1	4,830				
	Overall width	2	1,895				
	Overhang-front	7	745				
	Angle of approach degrees	10	39°				
Vehicle weight kg	Kerb weight		2,060	2,080	2,130	2,100	
	Max. gross vehicle weight		2,650	2,650	2,810	2,650	
	Max. axle weight rating-front		1,200				
	Max. axle weight rating-rear		1,650				

Item			V76W	V73W	V75W	V78W	
			LRXFQL1B	LRXVQL1B	LYXVQL1B	LNXFQL1B	LYXFQL1B
Vehicle dimensions mm	Overall length	1	4,830				
	Overall width	2	1,895				
	Overhang-front	7	745				
	Angle of approach degrees	10	39°				
Vehicle weight kg	Kerb weight		2,100	2,020	2,060	2,130	
	Max. gross vehicle weight		2,650			2,810	
	Max. axle weight rating-front		1,200				
	Max. axle weight rating-rear		1,650				

Item			V75W	V73W		V75W	V78W
			LYXVQL1Q	LNDVQR1D	LRUVQR1D	LYXCQR1D	LNXFR6S
Vehicle dimensions mm	Overall length	1	4,830	4,810	4,830		
	Overall width	2	1,895	1,885, 1,895*3		1,895	
	Overhang-front	7	745				
	Angle of approach degrees	10	39°				
Vehicle weight kg	Kerb weight		2,060	2,020	2,050	2,110	2,170
	Max. gross vehicle weight		2,650				2,810
	Max. axle weight rating-front		1,200				
	Max. axle weight rating-rear		1,650				

NOTE:

- *1: Vehicles with 235/80R16 Tyre
- *2: Vehicles with 265/70R16 Tyre
- *3: Vehicles with wheel cut moulding

Item			V78W	V75W		V76W	V78W
			LYXFR6S	LNXR6S	LYXVR6S	LNFL6A	LNFL6A
Vehicle dimensions mm	Overall length	1	4,830				
	Overall width	2	1,895				
	Overhang-front	7	745				
	Ground clearance (unladen)	9	225	235			225
	Angle of approach degrees	10	39°				
Vehicle weight kg	Kerb weight		2,170	2,080	2,090	2,130	2,170
	Max. gross vehicle weight		2,810	2,760		2,810	
	Max. axle weight rating-front		1,200				
	Max. axle weight rating-rear		1,650				

Item			V73W				
			LNDVLW	LRDVLW	LNHVLW	LRHVLW	LNXLW
Vehicle dimensions mm	Overall length	1	4,810*1, 4,830*2				4,830
	Overall width	2	1,885, 1,895*3				1,895
	Overhang-front	7	745				
Vehicle dimensions mm	Angle of approach degrees	10	39°				
Vehicle weight kg	Kerb weight		1,930		1,990		2,020
	Max. gross vehicle weight		2,650				
	Max. axle weight rating-front		1,200				
	Max. axle weight rating-rear		1,650				

Item			V73W	V75W			V78W
			LRXLW	LNDVLW	LNXLW	LYXLW	LNHR8
Vehicle dimensions mm	Overall length	1	4,830	4,810	4,830		4,810*1, 4,830*2
	Overall width	2	1,895	1,885	1,895		1,885, 1,895*3
	Overhang-front	7	745				
	Ground clearance (unladen)	9	235				225
	Angle of approach degrees	10	39°				
Vehicle weight kg	Kerb weight		2,020	1,990	2,060	2,060	2,120
	Max. gross vehicle weight		2,650				2,810
	Max. axle weight rating-front		1,200				
	Max. axle weight rating-rear		1,650				

NOTE:

*1: Vehicles with 235/80R16 Tyre

*2: Vehicles with 265/70R16 Tyre

*3: Vehicles with wheel cut moulding

Item			V78W				
			LYHFR8	LNFR8	LYXFR8	LNPFR8	LYPFR8
Vehicle dimensions mm	Overall length	1	4,810* ¹ , 4,830* ²	4,830			
	Overall width	2	1,885, 1,895* ³	1,895			
	Overhang-front	7	745				
	Ground clearance (unladen)	9	225				
	Angle of approach degrees	10	39°				
Vehicle weight kg	Kerb weight		2,120	2,140		2,180	
	Max. gross vehicle weight		2,810				
	Max. axle weight rating-front		1,200				
	Max. axle weight rating-rear		1,650				

Item			V75W				
			LNHVR8	LYHVR8	LNVR8	LYXVR8	LYPVR8
Vehicle dimensions mm	Overall length	1	4,810* ¹ , 4,830* ²		4,830		
	Overall width	2	1,885, 1,895* ³		1,895		
	Overhang-front	7	745				
	Angle of approach degrees	10	39°				
Vehicle weight kg	Kerb weight		2,070		2,090		2,130
	Max. gross vehicle weight		2,760				
	Max. axle weight rating-front		1,200				
	Max. axle weight rating-rear		1,650				

NOTE:

*1: Vehicles with 235/80R16 Tyre

*2: Vehicles with 265/70R16 Tyre

*3: Vehicles with wheel cut moulding