

**GENERAL INFORMATION
SECTION**

This service manual has been prepared to provide SUBARU service personnel with the necessary information and data for the correct maintenance and repair of SUBARU vehicles.

This manual includes the procedures for maintenance, disassembling, reassembling, inspection and adjustment of components and diagnostics for guidance of experienced mechanics.

Please peruse and utilize this manual fully to ensure complete repair work for satisfying our customers by keeping their vehicle in optimum condition. When replacement of parts during repair work is needed, be sure to use SUBARU genuine parts.

All information, illustration and specifications contained in this manual are based on the latest product information available at the time of publication approval.

FUJI HEAVY INDUSTRIES LTD.

FOREWORD**FW****HOW TO USE THIS MANUAL****HU****SPECIFICATIONS****SPC****PRECAUTION****PC****NOTE****NT****IDENTIFICATION****ID****RECOMMENDED MATERIALS****RM****PRE-DELIVERY INSPECTION****PI****PERIODICAL MAINTENANCE****PM**

ENGINE 1 SECTION

This service manual has been prepared to provide SUBARU service personnel with the necessary information and data for the correct maintenance and repair of SUBARU vehicles.

This manual includes the procedures for maintenance, disassembling, reassembling, inspection and adjustment of components and diagnostics for guidance of experienced mechanics.

Please peruse and utilize this manual fully to ensure complete repair work for satisfying our customers by keeping their vehicle in optimum condition. When replacement of parts during repair work is needed, be sure to use SUBARU genuine parts.

All information, illustration and specifications contained in this manual are based on the latest product information available at the time of publication approval.

FUJI HEAVY INDUSTRIES LTD.

FUEL INJECTION (FUEL SYSTEMS) FU

FUEL INJECTION (FUEL SYSTEMS) FU(w/oOBD)

EMISSION CONTROL (AUX. EMISSION CONTROL DEVICES) EC

EMISSION CONTROL (AUX. EMISSION CONTROL DEVICES) EC(w/oOBD)

INTAKE (INDUCTION) IN

MECHANICAL ME

EXHAUST EX

EXHAUST EX(w/oOBD)

COOLING CO

LUBRICATION LU

SPEED CONTROL SYSTEMS SP

IGNITION IG

IGNITION IG(w/oOBD)

STARTING/CHARGING SYSTEMS SC

ENGINE (DIAGNOSTICS) EN

ENGINE (DIAGNOSTICS) EN(w/oOBD)

ENGINE 2 SECTION

This service manual has been prepared to provide SUBARU service personnel with the necessary information and data for the correct maintenance and repair of SUBARU vehicles.

This manual includes the procedures for maintenance, disassembling, reassembling, inspection and adjustment of components and diagnostics for guidance of experienced mechanics.

Please peruse and utilize this manual fully to ensure complete repair work for satisfying our customers by keeping their vehicle in optimum condition. When replacement of parts during repair work is needed, be sure to use SUBARU genuine parts.

All information, illustration and specifications contained in this manual are based on the latest product information available at the time of publication approval.

FUJI HEAVY INDUSTRIES LTD.

FUEL INJECTION (FUEL SYSTEMS) FU(H6)

**EMISSION CONTROL
(AUX. EMISSION CONTROL DEVICES) EC(H6)**

INTAKE (INDUCTION) IN(H6)

MECHANICAL ME(H6)

EXHAUST EX(H6)

COOLING CO(H6)

LUBRICATION LU(H6)

SPEED CONTROL SYSTEMS SP(H6)

IGNITION IG(H6)

START/CHARGING SYSTEMS SC(H6)

ENGINE (DIAGNOSTICS) EN(H6)

TRANSMISSION SECTION

This service manual has been prepared to provide SUBARU service personnel with the necessary information and data for the correct maintenance and repair of SUBARU vehicles.

This manual includes the procedures for maintenance, disassembling, reassembling, inspection and adjustment of components and diagnostics for guidance of experienced mechanics.

Please peruse and utilize this manual fully to ensure complete repair work for satisfying our customers by keeping their vehicle in optimum condition. When replacement of parts during repair work is needed, be sure to use SUBARU genuine parts.

All information, illustration and specifications contained in this manual are based on the latest product information available at the time of publication approval.

FUJI HEAVY INDUSTRIES LTD.

CONTROL SYSTEMS

CS

AUTOMATIC TRANSMISSION

AT

**MANUAL TRANSMISSION
AND DIFFERENTIAL**

MT

CLUTCH SYSTEM

CL

**AUTOMATIC TRANSMISSION
(DIAGNOSTICS)**

AT

CHASSIS SECTION

This service manual has been prepared to provide SUBARU service personnel with the necessary information and data for the correct maintenance and repair of SUBARU vehicles.

This manual includes the procedures for maintenance, disassembling, reassembling, inspection and adjustment of components and diagnostics for guidance of experienced mechanics.

Please peruse and utilize this manual fully to ensure complete repair work for satisfying our customers by keeping their vehicle in optimum condition. When replacement of parts during repair work is needed, be sure to use SUBARU genuine parts.

All information, illustration and specifications contained in this manual are based on the latest product information available at the time of publication approval.

FUJI HEAVY INDUSTRIES LTD.

FRONT SUSPENSION FS

REAR SUSPENSION RS

WHEEL AND TIRE SYSTEM WT

DIFFERENTIALS DI

TRANSFER CASE TC

DRIVE SHAFT SYSTEM DS

ABS ABS

VDC VDC

BRAKE BR

PARKING BRAKE PB

**POWER ASSISTED SYSTEM
(POWER STEERING)** PS

ABS (DIAGNOSTICS) ABS

VDC (DIAGNOSTICS) VDC

BODY SECTION

This service manual has been prepared to provide SUBARU service personnel with the necessary information and data for the correct maintenance and repair of SUBARU vehicles.

This manual includes the procedures for maintenance, disassembling, reassembling, inspection and adjustment of components and diagnostics for guidance of experienced mechanics.

Please peruse and utilize this manual fully to ensure complete repair work for satisfying our customers by keeping their vehicle in optimum condition. When replacement of parts during repair work is needed, be sure to use SUBARU genuine parts.

All information, illustration and specifications contained in this manual are based on the latest product information available at the time of publication approval.

FUJI HEAVY INDUSTRIES LTD.

**HVAC SYSTEM
(HEATER, VENTILATOR AND A/C) AC**

AIRBAG SYSTEM AB

SEAT BELT SYSTEM SB

LIGHTING SYSTEM LI

WIPER AND WASHER SYSTEMS WW

ENTERTAINMENT ET

COMMUNICATION SYSTEM COM

GLASS/WINDOWS/MIRRORS GW

BODY STRUCTURE BS

INSTRUMENTATION/DRIVER INFO IDI

SEATS SE

SECURITY AND LOCKS SL

**SUNROOF/T-TOP/CONVERTIBLE TOP
(SUNROOF) SR**

EXTERIOR/INTERIOR TRIM EI

EXTERIOR BODY PANELS EB

CRUISE CONTROL SYSTEM CC

BODY SECTION**HVAC SYSTEM (AUTO A/C)
(DIAGNOSTICS)****AC****AIRBAG SYSTEM (DIAGNOSTICS)****AB****CRUISE CONTROL SYSTEM
(DIAGNOSTICS)****CC****IMMOBILIZER (DIAGNOSTICS)****IM**

WIRING SYSTEM SECTION**WIRING SYSTEM****WI**

This service manual has been prepared to provide SUBARU service personnel with the necessary information and data for the correct maintenance and repair of SUBARU vehicles.

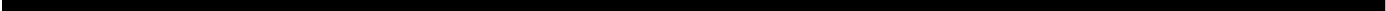
This manual includes the procedures for maintenance, disassembling, reassembling, inspection and adjustment of components and diagnostics for guidance of experienced mechanics.

Please peruse and utilize this manual fully to ensure complete repair work for satisfying our customers by keeping their vehicle in optimum condition. When replacement of parts during repair work is needed, be sure to use SUBARU genuine parts.

All information, illustration and specifications contained in this manual are based on the latest product information available at the time of publication approval.

FOREWORD

FW 



	Page
1. Foreword	2

1. Foreword SA01674

A: FOREWORD SA01674G21

These manuals are used when performing maintenance, repair, or diagnosis of the Subaru Legacy.

Applied model: BE***** and BH***** from 2002MY.

The additional manuals below are also available:
AUTOMATIC TRANSMISSION SERVICE
MANUAL (Pub. No. G0864ZE)

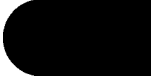
The manuals contain the latest information at the time of publication. Changes in specifications, methods, etc. may be made without notice.

HOW TO USE THIS MANUAL

HU



	Page
1. How to Use This Manual.....	2



1. How to Use This Manual SA02675

A: HOW TO USE THIS MANUAL

SA02675F69

1. STRUCTURE SA02675F6901

Each section consists of SCT that are broken down into SC that are divided into sections for each component. The specifications, maintenance procedures and other information for the components are included, and diagnostic information has also been added where necessary.

2. INDEX SA02675F6902

The first page has an index with tabs. And at the end of each section is an alphabetical index.

3. COMPONENTS SA02675F6903

For each component, a composition drawing is included.

4. SPECIFICATIONS SA02675F6904

If necessary, specifications are also included.

5. INSPECTION SA02675F6905

Inspections are included to be carried out before and after maintenance.

6. MAINTENANCE SA02675F6906

Maintenance instructions are provided for each component. When multiple components comprise one process, refer to the instructions for that process for each component.

7. DIAGNOSIS SA02675F6907

Tables showing a step-by-step process make it easy to conduct diagnosis.

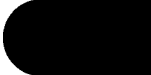
8. SI UNITS SA02675F6909

Measurements in these manuals are according to the SI units. Metric and yard/pound measurements are also included.

SPECIFICATIONS

SPC

	Page
1. Legacy.....	2
2. OUTBACK.....	10



LEGACY

Specifications

1. Legacy SA08704

A: DIMENSIONS SA08704G28

Model		Sedan		Wagon	
		AWD			
Overall length	mm (in)	4,605 (181.3)		4,680 (184.3)	
Overall width	mm (in)	1,695 (66.7)		1,695 (66.7)	
Overall height (at CW)	mm (in)	1,415 (55.7)		1,515 (59.6)	
Compartment	Length	mm (in)	1,965 (77.4)		1,925 (75.8)
	Width	mm (in)	1,440 (56.7), 1,420 (55.9)*1		1,440 (56.7), 1,420 (55.9)*1
	Height	mm (in)	1,155 (45.5)		1,190 (46.9), 1,175 (46.3)*2
Wheelbase	mm (in)	2,650 (104.3)		2,650 (104.3)	
Tread	Front	mm (in)	1,460 (57.5)		1,460 (57.5)
	Rear	mm (in)	1,460 (57.5)		1,455 (57.3)
Minimum road clearance	Without catalytic converter	mm (in)	160 (6.3)		165 (6.5)
	With catalytic converter	mm (in)	155 (6.1)		155 (6.1)
	Australia	mm (in)	155 (6.1)		155 (6.1)

*1: With leather seat

*2: With sunroof

B: ENGINE SA08704G29

Model		Sedan/Wagon	
		AWD	
		2.0 L	2.5 L
Engine type	Horizontally opposed, liquid cooled, 4-cylinder, 4-stroke gasoline engine		
Valve arrangement	Overhead camshaft type		
Bore × Stroke	mm (in)	92 × 75 (3.62 × 2.95)	99.5 × 79.0 (3.917 × 3.110)
Displacement	cm ³ (cu in)	1,994 (121.67)	2,457 (149.9)
Compression ratio	10.0		
Firing order	1 — 3 — 2 — 4		
Idle speed at Park/Neutral position	rpm	700±100	
Maximum output	kW (HP)/rpm	92 (123)/5,600	115 (154)/5,600
Maximum torque	N·m (kgf-m, ft-lb)/rpm	184 (18.8, 136.0)/3,600	223 (22.7, 164.2)/3,600

C: ELECTRICAL SA08704G30

Model			Sedan/Wagon	
			AWD	
			2.0 L	2.5 L
Ignition timing at idling speed			BTDC/rpm	
			10°±10°/700	
Spark plug	Type and manufacturer	Without OBD	NGK: BKR6E (without catalyst) CHAMPION: RC10YC4 (with catalyst) NGK: BKR5E-11 (with catalyst)	
		With OBD	RC10YC4 CHAMPION	
			Alternate	RC8YC4 CHAMPION BKR6E-11 NGK K20PR-U11 NIPPONDENSO
Generator			12V — 90A	
Battery	Type and capacity (5HR)	For Europe and South America	MT: 12V — 48AH (55D23L) AT: 12V — 52AH (65D23L)	MT: 12V — 48AH (55D23L) AT: 12V — 52AH (75D23L)
		Others	12V — 27AH (34B19L)	

D: TRANSMISSION SA08704G31

Model			Sedan/Wagon			
			AWD			
			2.0 L		2.5 L	
Transmission type			5MT	4AT	5MT	4AT
Clutch type			DSPD	TCC	DSPD	TCC
Gear ratio	1st		3.454	2.785	3.454	2.785
	2nd		2.062	1.545	2.062	1.545
	3rd		1.448	1.000	1.448	1.000
	4th		1.088	0.694	1.088	0.694
	5th		0.825	—	0.825*1, 0.780*2	—
	Reverse		3.333	2.272	3.333	2.272
Auxiliary transmission gear ratio		High	1.000	—	1.000	—
		Low	1.447	—	1.196	—
Reduction gear (Front drive)	1st reduction	Type of gear	—	Helical	—	Helical
		Gear ratio	—	1.000	—	1.000
	Final reduction	Type of gear	Hypoid	Hypoid	Hypoid	Hypoid
		Gear ratio	3.900	4.111	3.700*1, 4.111*2	4.111
Reduction gear (Rear drive)	Transfer reduction	Type of gear	Helical	—	Helical	—
		Gear ratio	1.000	—	1.000	—
	Final reduction	Type of gear	Hypoid	Hypoid	Hypoid	Hypoid
		Gear ratio	3.900	4.111	3.700*1, 4.111*2	4.111

5MT: 5 forward speeds with synchromesh and 1-reverse

4AT: Electronically controlled fully-automatic, 4-forward speeds and 1-reverse

DSPD: Dry Single Plate Diaphragm

TCC: Torque Converter Clutch

*1: Except Australia spec. vehicles

*2: Australia spec. vehicles

LEGACY

Specifications

E: STEERING SA08704G32

Model	Models with 185/70R14 tires	Models with 195/60R15 tires	Models with 205/50R16 tires
Type	Rack and Pinion		
Turns, lock to lock	3.1		
Minimum turning circle	m (ft)	Curb to curb: 10.8±1.0 (35.4±3.3) Wall to wall: 11.5±1.0 (37.7±3.3)	

F: SUSPENSION SA08704G33

Model	Conventional suspension
Front	Macpherson strut type, Independent, Coil spring
Rear	Multi-link type, Independent, Coil spring

G: BRAKE SA08704G34

Service brake system	Dual circuit hydraulic with vacuum suspended power unit
Front	Ventilated disc brake
Rear	Disc brake
Parking brake	Mechanical on rear brakes

H: TIRE SA08704G35

Rim size	14 × 5 ¹ / ₂ JJ	15 × 6JJ	16 × 6 ¹ / ₂ JJ
Tire size	185/70R14	195/60R15	205/50R16
Type	Steel belted radial, Tubeless		

I: CAPACITY SA08704G36

Model		Sedan/Wagon			
		AWD			
		2.0 L		2.5 L	
		5MT	4AT	5MT	4AT
Fuel tank	ℓ (US gal, Imp gal)	64 (16.9, 14.1)			
Engine oil	Total capacity	4.0 (4.2, 3.5)			
	Engine oil amount for refill	Approx. 4.0 (4.2, 3.5)			
Transmission gear oil	ℓ (US qt, Imp qt)	3.5 (3.7, 3.1)	—	3.5 (3.7, 3.1)	—
Automatic transmission fluid	ℓ (US qt, Imp qt)	—	8.4 – 8.7 (8.9 – 9.2, 7.4 – 7.7)	—	9.3 – 9.6 (9.8 – 10.1, 8.2 – 8.4)
AT differential gear oil	ℓ (US qt, Imp qt)	—	1.1 – 1.3 (1.2 – 1.4, 1.0 – 1.1)	—	1.1 – 1.3 (1.2 – 1.4, 1.0 – 1.1)
AWD rear differential gear oil	ℓ (US qt, Imp qt)	0.8 (0.8, 0.6)			
Power steering fluid	ℓ (US qt, Imp qt)	0.7 (0.7, 0.6)			
Engine coolant	ℓ (US qt, Imp qt)	7.0 (7.4, 6.2)	6.9 (7.3, 6.1)	6.8 (7.2, 6.0)	6.7 (7.1, 5.9)

J: WEIGHT SA08704G37

1. SEDAN SA08704G3708

● **LHD Vehicle**

Option code *1			EC		K4		KO, KS	
Model			2.0 L					
			4WD					
			GL					
			5MT	4AT	5MT	4AT	5MT	4AT
Curb weight (C.W.)	Front	kg (lb)	785 (1,730)	810 (1,785)	775 (1,710)	800 (1,765)	790 (1,740)	815 (1,795)
	Rear	kg (lb)	605 (1,335)	605 (1,335)	610 (1,345)	610 (1,345)	610 (1,345)	610 (1,345)
	Total	kg (lb)	1,390 (3,065)	1,415 (3,120)	1,385 (3,055)	1,410 (3,110)	1,400 (3,085)	1,425 (3,140)
Maximum permissible axle weight (M.P.A.W.)	Front	kg (lb)	970 (2,140)	970 (2,140)	970 (2,140)	970 (2,140)	970 (2,140)	970 (2,140)
	Rear	kg (lb)	975 (2,150)	975 (2,150)	975 (2,150)	975 (2,150)	975 (2,150)	975 (2,150)
Maximum permissible weight (M.P.W.)	Total	kg (lb)	1,870 (4,125)	1,870 (4,125)	1,870 (4,125)	1,870 (4,125)	1,870 (4,125)	1,870 (4,125)
Option	Side airbag		○	○	-	-	-	-
	Air conditioner		-	-	-	-	○	○
	Audio		-	-	-	-	○	○
	Cruise control		-	-	-	-	-	-
	Cold weather pack		-	-	-	-	-	-

Option code *1			EC		K4		KO, KS	
Model			2.5 L					
			4WD					
			GX					
			5MT	4AT	5MT	4AT	5MT	4AT
Curb weight (C.W.)	Front	kg (lb)	805 (1,775)	830 (1,830)	795 (1,755)	820 (1,810)	785 (1,730)	810 (1,785)
	Rear	kg (lb)	605 (1,335)	610 (1,345)	610 (1,345)	615 (1,355)	610 (1,345)	615 (1,355)
	Total	kg (lb)	1,410 (3,110)	1,440 (3,175)	1,405 (3,100)	1,435 (3,165)	1,395 (3,075)	1,425 (3,140)
Maximum permissible axle weight (M.P.A.W.)	Front	kg (lb)	985 (2,170)	985 (2,170)	985 (2,170)	985 (2,170)	985 (2,170)	985 (2,170)
	Rear	kg (lb)	1,000 (2,205)	1,000 (2,205)	1,000 (2,205)	1,000 (2,205)	1,000 (2,205)	1,000 (2,205)
Maximum permissible weight (M.P.W.)	Total	kg (lb)	1,910 (4,210)	1,910 (4,210)	1,910 (4,210)	1,910 (4,210)	1,910 (4,210)	1,910 (4,210)
Option	Side airbag		○	○	-	-	-	-
	Air conditioner		○	○	○	○	-	-
	Audio		-	-	-	-	○	○
	Cruise control		-	-	○	○	-	-
	Cold weather pack		-	-	-	-	-	-

*1: For option code, refer to ID section. <Ref. to ID-5, MODEL NUMBER PLATE, IDENTIFICATION, Identification.>

LEGACY

Specifications

● RHD Vehicle

Option code *1			K1		EK		
Model			2.0 L			2.5 L	
			4WD				
			GL		GX		
			4AT	5MT	4AT	5MT	4AT
Curb weight (C.W.)	Front	kg (lb)	800 (1,765)	785 (1,730)	810 (1,785)	795 (1,755)	820 (1,810)
	Rear	kg (lb)	605 (1,335)	605 (1,335)	605 (1,335)	605 (1,335)	610 (1,345)
	Total	kg (lb)	1,405 (3,100)	1,390 (3,065)	1,415 (3,120)	1,400 (3,085)	1,430 (3,155)
Maximum permissible axle weight (M.P.A.W.)	Front	kg (lb)	970 (2,140)	970 (2,140)	970 (2,140)	985 (2,170)	985 (2,170)
	Rear	kg (lb)	975 (2,150)	975 (2,150)	975 (2,150)	1,000 (2,205)	1,000 (2,205)
Maximum permissible weight (M.P.W.)	Total	kg (lb)	1,870 (4,125)	1,870 (4,125)	1,870 (4,125)	1,910 (4,210)	1,910 (4,210)
Option	Side airbag		–	○	○	○	○
	Air conditioner		–	–	–	–	–
	Audio		○	○	○	○	○
	Cruise control		–	–	–	–	–
	Cold weather pack		–	–	–	–	–

Option code *1			KA			
Model			2.0 L		2.5 L	
			4WD			
			GL (GX)		GX (RX)	
			5MT	4AT	5MT	4AT
Unladen mass (U.M.)	Front	kg (lb)	780 (1,720)	775 (1,710)	775 (1,710)	785 (1,730)
	Rear	kg (lb)	585 (1,290)	585 (1,290)	595 (1,310)	595 (1,310)
	Total	kg (lb)	1,365 (3,010)	1,360 (3,000)	1,370 (3,020)	1,380 (3,045)
Gross vehicle mass (G.V.M.)	Front	kg (lb)	930 (2,050)	930 (2,050)	940 (2,075)	940 (2,075)
	Rear	kg (lb)	970 (2,140)	970 (2,140)	980 (2,160)	980 (2,160)
	Total	kg (lb)	1,900 (4,190)	1,900 (4,190)	1,920 (4,235)	1,920 (4,235)
Option	Side airbag		–	–	–	–
	Air conditioner		○	–	–	–
	Audio		○	○	○	○
	Cruise control		○	–	–	–
	Cold weather pack		–	–	–	–

*1: For option code, refer to ID section. <Ref. to ID-5, MODEL NUMBER PLATE, IDENTIFICATION, Identification.>

2. WAGON SA08704G3709

● LHD Vehicle

Option code *1			EC		K4		KO, KS		
Model			2.0 L						
			4WD						
			GL						
			5MT	4AT	5MT	4AT	5MT	4AT	
Curb weight (C.W.)	Front	kg (lb)	780 (1,720)	800 (1,765)	775 (1,710)	790 (1,740)	790 (1,740)	805 (1,775)	
	Rear	kg (lb)	650 (1,435)	650 (1,435)	655 (1,445)	655 (1,445)	655 (1,445)	655 (1,445)	
	Total	kg (lb)	1,430 (3,155)	1,450 (3,195)	1,430 (3,155)	1,445 (3,185)	1,445 (3,185)	1,460 (3,220)	
Maximum permissible axle weight (M.P.A.W.)	Front	kg (lb)	960 (2,115)	960 (2,115)	960 (2,115)	960 (2,115)	960 (2,115)	960 (2,115)	
	Rear	kg (lb)	1,030 (2,270)	1,030 (2,270)	1,030 (2,270)	1,030 (2,270)	1,030 (2,270)	1,030 (2,270)	
Maximum permissible weight (M.P.W.)	Total	kg (lb)	1,920 (4,235)	1,920 (4,235)	1,920 (4,235)	1,920 (4,235)	1,920 (4,235)	1,920 (4,235)	
Option	Side airbag		–	○	–	–	–	–	
	Air conditioner		–	–	–	–	○	○	
	Audio		–	–	–	–	○	○	
	Cruise control		–	–	–	–	–	–	
	Cold weather pack		–	–	–	–	–	–	

Option code *1			EC		K4		KO, KS		
Model			2.5 L						
			4WD						
			GX						
			5MT	4AT	5MT	4AT	5MT	4AT	
Curb weight (C.W.)	Front	kg (lb)	790 (1,740)	820 (1,810)	775 (1,710)	790 (1,740)	790 (1,740)	805 (1,775)	
	Rear	kg (lb)	655 (1,445)	655 (1,445)	655 (1,445)	655 (1,445)	655 (1,445)	655 (1,445)	
	Total	kg (lb)	1,445 (3,185)	1,475 (3,250)	1,430 (3,155)	1,445 (3,185)	1,445 (3,185)	1,460 (3,220)	
Maximum permissible axle weight (M.P.A.W.)	Front	kg (lb)	995 (2,195)	995 (2,195)	960 (2,115)	960 (2,115)	960 (2,115)	960 (2,115)	
	Rear	kg (lb)	1,050 (2,315)	1,050 (2,315)	1,030 (2,270)	1,030 (2,270)	1,030 (2,270)	1,030 (2,270)	
Maximum permissible weight (M.P.W.)	Total	kg (lb)	1,980 (4,365)	1,980 (4,365)	1,920 (4,235)	1,920 (4,235)	1,920 (4,235)	1,920 (4,235)	
Option	Side airbag		○	○	–	–	–	–	
	Air conditioner		–	○	–	–	○	○	
	Audio		–	–	–	–	○	○	
	Cruise control		–	○	–	–	–	–	
	Cold weather pack		–	○	–	–	–	–	

*1: For option code, refer to ID section. <Ref. to ID-5, MODEL NUMBER PLATE, IDENTIFICATION, Identification.>

LEGACY

Specifications

● RHD Vehicle

Option code *1			K1		EK			
Model			2.0 L				2.5 L	
			4WD					
			GL			GX		
			5MT	4AT	5MT	4AT	5MT	4AT
Curb weight (C.W.)	Front	kg (lb)	775 (1,710)	790 (1,740)	785 (1,731)	800 (1,765)	790 (1,740)	805 (1,775)
	Rear	kg (lb)	655 (1,445)	655 (1,445)	650 (1,435)	650 (1,435)	655 (1,445)	655 (1,445)
	Total	kg (lb)	1,430 (3,155)	1,445 (3,185)	1,435 (3,165)	1,450 (3,195)	1,445 (3,185)	1,460 (3,220)
Maximum permissible axle weight (M.P.A.W.)	Front	kg (lb)	960 (2,115)	960 (2,115)	960 (2,115)	960 (2,115)	995 (2,195)	995 (2,195)
	Rear	kg (lb)	1,030 (2,270)	1,030 (2,270)	1,030 (2,270)	1,030 (2,270)	1,050 (2,315)	1,050 (2,315)
Maximum permissible weight (M.P.W.)	Total	kg (lb)	1,920 (4,235)	1,920 (4,235)	1,920 (4,235)	1,920 (4,235)	1,980 (4,365)	1,980 (4,365)
Option	Side airbag		–	–	○	○	○	○
	Air conditioner		–	–	–	–	–	–
	Audio		○	○	○	○	○	○
	Cruise control		–	–	–	–	–	–
	Cold weather pack		–	–	–	–	–	–

Option code *1			KA			
Model			2.0 L		2.5 L	
			4WD			
			GL (GX)		GX (RX)	
			5MT	4AT	5MT	4AT
Unladen mass (U.M.)	Front	kg (lb)	775 (1,710)	775 (1,710)	765 (1,685)	780 (1,720)
	Rear	kg (lb)	635 (1,400)	635 (1,400)	645 (1,420)	645 (1,420)
	Total	kg (lb)	1,410 (3,110)	1,410 (3,110)	1,410 (3,110)	1,425 (3,140)
Gross vehicle mass (G.V.M.)	Front	kg (lb)	930 (2,050)	930 (2,050)	950 (2,095)	950 (2,095)
	Rear	kg (lb)	1,010 (2,225)	1,010 (2,225)	1,040 (2,295)	1,040 (2,295)
	Total	kg (lb)	1,940 (4,280)	1,940 (4,280)	1,990 (4,390)	1,990 (4,390)
Option	Side airbag		–	–	–	–
	Air conditioner		○	–	–	–
	Audio		○	○	○	○
	Cruise control		○	–	–	–
	Cold weather pack		–	–	–	–

*1: For option code, refer to ID section. <Ref. to ID-5, MODEL NUMBER PLATE, IDENTIFICATION, Identification.>

LEGACY

NOTE:

When any of the following optional parts are installed, add the weight to the curb weight.

Weight of optional parts		VDC	Cruise control	Air conditioner	Sunroof	Leather interior	SRS Airbag (Side)
Front	kg (lb)	6.5 (14.33)	2.1 (4.6)	13.9 (30.6)	10.9 (24.0)	1.8 (4.0)	2.9 (6.4)
Rear	kg (lb)	0.1 (0.22)	0.3 (0.7)	-0.1 (-0.2)	16.4 (36.2)	3.1 (6.8)	3.0 (6.6)
Total	kg (lb)	6.6 (14.55)	2.4 (5.3)	13.8 (30.4)	27.3 (60.2)	4.9 (10.8)	5.9 (13.0)

Weight of optional parts		Cold weather pack	Audio	Rear spoiler	Sports package	Self-leveling rear suspension
Front	kg (lb)	0.2 (0.44)	1.8 (4.0)	-0.7 (-1.54)	-1.4 (-3.09)	0.2 (0.4)
Rear	kg (lb)	0.2 (0.44)	0.7 (1.5)	3.2 (7.06)	-3.8 (-8.38)	4.2 (9.3)
Total	kg (lb)	0.4 (0.88)	2.5 (5.5)	2.5 (5.51)	- 5.2 (-11.47)	4.4 (9.7)

OUTBACK

Specifications

2. OUTBACK SA08705

A: DIMENSIONS SA08705G28

Model		OUTBACK	
		AWD	
Overall length	mm (in)	4,720 (185.8)	
Overall width	mm (in)	1,745 (68.7)	
Overall height (at CW)	mm (in)	1,580 (62.2), 1,590 (62.6)*3	
Compartment	Length	mm (in)	1,925 (75.8)
	Width	mm (in)	1,440 (56.7), 1,420 (55.9)*1
	Height	mm (in)	1,190 (46.9), 1,175 (46.3)*2
Wheelbase	mm (in)	2,650 (104.3)	
Tread	Front	mm (in)	1,470 (57.9)
	Rear	mm (in)	1,460 (57.5)*3, 1,465 (57.7)
Minimum road clearance	Without catalytic converter	mm (in)	195 (7.7)
	With catalytic converter	mm (in)	190 (7.5)
	Australia	mm (in)	200 (7.9)

*1: With leather seat

*2: With sunroof

*3: Australia spec. vehicles

B: ENGINE SA08705G29

Model		OUTBACK	
		AWD	
		2.5 L	3.0 L
Engine type		Horizontally opposed, liquid cooled, 4-cylinder, 4-stroke gasoline engine	Horizontally opposed, liquid cooled, 6-cylinder, 4-stroke gasoline engine
Valve arrangement		Overhead camshaft type	Double overhead camshaft type
Bore × Stroke	mm (in)	99.5 × 79.0 (3.917 × 3.110)	89.2 × 80.0 (3.512 × 3.150)
Displacement	cm ³ (cu in)	2,457 (149.9)	3,000 (183.06)
Compression ratio		10.0	10.7
Firing order		1 — 3 — 2 — 4	1 — 6 — 3 — 2 — 5 — 4
Idle speed at Park/Neutral position	rpm	700±100	600±100
Maximum output	kW (HP)/rpm	115 (154)/5,600	154 (206)/6,000
Maximum torque	N·m (kgf·m, ft·lb)/rpm	223 (22.7, 164.2)/3,600	282 (28.8, 208)/4,400

C: ELECTRICAL SA08705G30

Model		OUTBACK			
		AWD			
		2.5 L		3.0 L	
Ignition timing at idling speed		BTDC/rpm		10°±10°/700	10°±8°/600
Spark plug	Type and manufacturer	RC10YC4 CHAMPION		PLFR6A NGK	
		Alternate	RC8YC4 CHAMPION BKR6E-11 NGK K20PR-U11 NIPPONDENSO		
Generator		12V — 90A		12V — 100A	
Battery	Type and capacity (5HR)	For Europe and South America	MT: 12V — 48AH (55D23L) AT: 12V — 52AH (75D23L)		12V — 52AH (75D23L)
		Others	12V — 27AH (34B19L)		12V — 48H (55D23L)

D: TRANSMISSION SA08705G31

Model		OUTBACK		
		AWD		
		2.5 L		3.0 L
Transmission type		5MT	4AT	4AT
Clutch type		DSPD	TCC	TCC
Gear ratio	1st	3.454	2.785	
	2nd	2.062	1.545	
	3rd	1.448	1.000	
	4th	1.088	0.694	
	5th	0.825	—	
	Reverse	3.333	2.272	
Auxiliary transmission gear ratio	High	1.000	—	
	Low	1.196	—	
Reduction gear (Front drive)	1st Reduction	Type of gear	Helical	
		Gear ratio	1.000	
	Final reduction	Type of gear	Hypoid	
		Gear ratio	3.900*1, 4.111*2	4.444
Reduction gear (Rear drive)	Transfer reduction	Type of gear	Helical	
		Gear ratio	1.000	
	Final reduction	Type of gear	Hypoid	
		Gear ratio	3.900*1, 4.111*2	4.444

5MT: 5 × 2 forward speeds with synchromesh and 1-reverse

4AT: Electronically controlled fully-automatic, 4-forward speeds and 1-reverse

DSPD: Dry Single Plate Diaphragm

TCC: Torque Converter Clutch

*1: Except Australia spec. vehicles

*2: Australia spec. vehicles

OUTBACK

Specifications

E: STEERING SA08705G32

Model	OUTBACK		
Type	Rack and Pinion		
Turns, lock to lock	3.0		
Minimum turning circle	m (ft)	Curb to curb: 11.2±1.0 (36.7±3.3) Wall to wall: 12.0±1.0 (39.4±3.3)	

F: SUSPENSION SA08705G33

Model	OUTBACK		
Front	Macpherson strut type, Independent, Coil spring		
Rear	Multi-link type, Independent, Coil spring		

G: BRAKE SA08705G34

Model	OUTBACK		
Service brake system	Dual circuit hydraulic with vacuum suspended power unit		
Front	Ventilated disc brake		
Rear	Disc brake		
Parking brake	Mechanical on rear brakes		

H: TIRE SA08705G35

Model	OUTBACK		
Rim size	16 × 6 ¹ / ₂ JJ		
Tire size	215/60R16		
Type	Steel belted radial, Tubeless		

I: CAPACITY SA08705G36

Model		OUTBACK		
		AWD		
		2.5 L		3.0 L
		5MT	4AT	
Fuel tank	ℓ (US gal, Imp gal)	64 (16.9, 14.1)		
Engine oil	Total capacity	ℓ (US qt, Imp qt)	4.0 (4.2, 3.5)	6.8 (7.2, 6.0)
	Engine oil amount for refill	ℓ (US qt, Imp qt)	Approx. 4.0 (4.2, 3.5)	Approx. 5.8 (6.1, 5.1)
Transmission gear oil	ℓ (US qt, Imp qt)	4.0 (4.2, 3.5)	—	
Automatic transmission fluid	ℓ (US qt, Imp qt)	—	9.3 – 9.6 (9.8 – 10.1, 8.2 – 8.4)	
AT differential gear oil	ℓ (US qt, Imp qt)	—	1.1 – 1.3 (1.2 – 1.4, 1.0 – 1.1)	
AWD rear differential gear oil	ℓ (US qt, Imp qt)	0.8 (0.8, 0.7)		
Power steering fluid	ℓ (US qt, Imp qt)	0.7 (0.7, 0.6)		
Engine coolant	ℓ (US qt, Imp qt)	6.8 (7.2, 6.0)	6.7 (7.1, 5.9)	7.7 (8.1, 6.8)

J: WEIGHT SA08705G37

1. OUTBACK SA08705G3707

● LHD vehicle

Option code *1			K4		KS		KO
Model			2.5 L				
			4WD				
			5MT	4AT	5MT	4AT	
Curb weight (C.W.)	Front	kg (lb)	810 (1,785)	825 (1,820)	815 (1,795)	830 (1,830)	785 (1,730)
	Rear	kg (lb)	670 (1,475)	670 (1,475)	670 (1,475)	670 (1,475)	650 (1,435)
	Total	kg (lb)	1,480 (3,265)	1,495 (3,295)	1,485 (3,275)	1,500 (3,310)	1,435 (3,165)
Maximum permissible axle weight (M.P.A.W.)	Front	kg (lb)	995 (2,195)	995 (2,195)	995 (2,195)	995 (2,195)	960 (2,115)
	Rear	kg (lb)	1,050 (2,315)	1,050 (2,315)	1,050 (2,315)	1,050 (2,315)	1,030 (2,270)
Maximum permissible weight (M.P.W.)	Total	kg (lb)	2,000 (4,410)	2,000 (4,410)	2,000 (4,410)	2,000 (4,410)	1,920 (4,235)
Option	Side airbag		–	–	–	–	–
	Air conditioner		○	○	○	○	○
	Audio		–	–	○	○	○
	Cruise control		○	○	○	○	○
	Cold weather pack		–	–	–	–	–
	Leather interior		–	–	–	–	○
	Sunroof		–	–	–	–	○

Option code *1			EC			
Model			2.5 L		3.0 L	
			4WD			
			5MT	4AT		
Curb weight (C.W.)	Front	kg (lb)	815 (1,795)	830 (1,830)		915 (2,020)
	Rear	kg (lb)	675 (1,490)	675 (1,490)		695 (1,530)
	Total	kg (lb)	1,490 (3,285)	1,505 (3,320)		1,610 (3,550)
Maximum permissible axle weight (M.P.A.W.)	Front	kg (lb)	1,010 (2,225)	1,010 (2,225)		1,040 (2,295)
	Rear	kg (lb)	1,060 (2,335)	1,060 (2,335)		1,060 (2,335)
Maximum permissible weight (M.P.W.)	Total	kg (lb)	2,015 (4,445)	2,015 (4,445)		2,085 (4,595)
Option	Side airbag		○	○		○
	Air conditioner		○	○		○
	Audio		–	–		○
	Cruise control		–	–		○
	Cold weather pack		–	–		○
	Leather interior		–	–		○
	Sunroof		–	–		○

*1: For option code, refer to ID section. <Ref. to ID-5, MODEL NUMBER PLATE, IDENTIFICATION, Identification.>

OUTBACK

Specifications

● RHD vehicle

Option code *1			EK		
Model			2.5 L		3.0 L
			4WD		
			5MT	4AT	
Curb weight (C.W.)	Front	kg (lb)	800 (1,765)	815 (1,795)	915 (2,020)
	Rear	kg (lb)	670 (1,475)	670 (1,475)	695 (1,530)
	Total	kg (lb)	1,470 (3,240)	1,485 (3,275)	1,610 (3,550)
Maximum permissible axle weight (M.P.A.W.)	Front	kg (lb)	1,010 (2,225)	1,010 (2,225)	1,040 (2,295)
	Rear	kg (lb)	1,060 (2,335)	1,060 (2,335)	1,060 (2,335)
Maximum permissible weight (M.P.W.)	Total	kg (lb)	2,015 (4,445)	2,015 (4,445)	2,085 (4,595)
Option	Side airbag		-	-	○
	Air conditioner		-	-	○
	Audio		○	○	○
	Cruise control		-	-	○
	Cold weather pack		-	-	○
	Leather interior		-	-	○
	Sunroof		-	-	○

Option code *1			KA		
Model			2.5 L		3.0 L
			4WD		
			5MT	4AT	
Unladen mass (U.M.)	Front	kg (lb)	790 (1,740)	800 (1,765)	900 (1,985)
	Rear	kg (lb)	650 (1,435)	650 (1,435)	690 (1,520)
	Total	kg (lb)	1,440 (3,175)	1,410 (3,110)	1,590 (3,505)
Gross vehicle mass (G.V.M.)	Front	kg (lb)	970 (2,140)	970 (2,140)	1,035 (2,280)
	Rear	kg (lb)	1,050 (2,315)	1,050 (2,315)	1,050 (2,315)
	Total	kg (lb)	2,020 (4,455)	2,020 (4,455)	2,085 (4,595)
Option	Side airbag		-	-	○
	Air conditioner		-	-	○
	Audio		○	○	○
	Cruise control		-	-	○
	Cold weather pack		-	-	○

*1: For option code, refer to ID section. <Ref. to ID-5, MODEL NUMBER PLATE, IDENTIFICATION, Identification.>

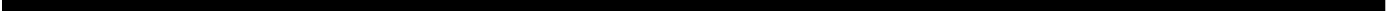
NOTE:

When any of the following optional parts are installed, add the weight to the curb weight.

Weight of optional parts	Cruise control	Self levelizer	Air conditioner	Sunroof	Leather interior	SRS Airbag (Side)	Cold weather pack	Audio	Rear spoiler	Sports package
Front kg (lb)	2.1 (4.6)	0.2 (0.4)	13.9 (30.6)	10.9 (24.0)	1.8 (4.0)	2.9 (6.4)	0.2 (0.44)	1.8 (4.0)	-0.7 (-1.54)	-1.4 (-3.09)
Rear kg (lb)	0.3 (0.7)	4.2 (9.3)	-0.1 (-0.2)	16.4 (36.2)	3.1 (6.8)	3.0 (6.6)	0.2 (0.44)	0.7 (1.5)	3.2 (7.06)	-3.8 (-8.38)
Total kg (lb)	2.4 (5.3)	4.4 (9.7)	13.8 (30.4)	27.3 (60.2)	4.9 (10.8)	5.9 (13.0)	0.4 (0.88)	2.5 (5.5)	2.5 (5.51)	-5.2 (-11.47)

PRECAUTION

PC



1. Precaution	Page 2
---------------------	-----------



PRECAUTION

Precaution

1. Precaution SA04677

A: PRECAUTION SA04677F59

Please clearly understand and adhere to the following general precautions. They must be strictly followed to avoid minor or serious injury to the person doing the work or people in the area.

1. ABS SA04677F5901

Handle the ABS as a total system. Do not disassemble or attempt to repair individual parts. Doing so could prevent the ABS system from operating when needed or cause it to operate incorrectly and result in injury.

2. BRAKE FLUID SA04677F5902

If brake fluid gets in your eyes or on your skin, do the following:

- Wash out your eyes and seek immediate medical attention.
- Wash your skin with soap and then rinse thoroughly with water.

3. ELECTRIC FAN SA04677F5903

The electric fan may rotate without warning, even when the engine is not on. Do not place your hand, cloth, tools, or other items near the fan at any time.

4. ROAD TESTS SA04677F5904

Always conduct road tests in accordance with traffic rules and regulations to avoid bodily injury and interrupting traffic.

5. AIRBAG SA04677F5905

To prevent bodily injury from unexpected deployment of airbags and unnecessary maintenance, follow the instructions in this manual when performing maintenance on airbag components or nearby, and airbag wiring harnesses or nearby.

To prevent unexpected deployment, perform one of the steps below and then wait at least 20 seconds to discharge electricity before beginning work.

- Step 1: Turn the ignition switch OFF.
- Step 2: Remove the negative battery terminal.

6. AIRBAG DISPOSAL SA04677F5906

To prevent bodily injury from unexpected airbag deployment, do not dispose airbag modules in the same way as other refuse. Follow the special instructions for disposal in this manual. Follow all government regulations concerning disposal of refuse.

7. AIRBAG MODULE SA04677F5907

Adhere to the following when handling and storing the airbag module to prevent bodily injury from unexpected deployment:

- Do not hold harnesses or connectors to carry the module.
- Do not face the bag in the direction that it opens towards yourself or other people.
- Do not face the bag in the direction that it opens towards the floor or walls.

8. AIRBAG SPECIAL TOOLS SA04677F5908

To prevent unexpected deployment, only use special tools.

9. WINDOW SA04677F5909

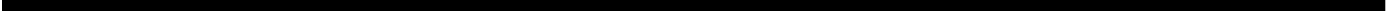
Always wear safety glasses when working around any glass to prevent glass fragments from damaging your eyes.

10. WINDOW ADHESIVE SA04677F5910

Always use the specified urethane adhesive when attaching glass to prevent it from coming loose and falling, resulting in accidents and injury.

NOTE

NT



1. Note.....	Page 2
--------------	-----------



1. Note SA03676

A: NOTE SA03676A15

This is information that can improve efficiency of maintenance and assure sound work.

1. FASTENER NOTICE SA03676A1501

Fasteners are used to prevent parts from damage and dislocation due to looseness. Fasteners must be tightened to the specified torque.

Do not apply paint, lubricant, rust retardant, or other substances to the surface around bolts, fasteners, etc. Doing so will make it difficult to obtain the correct torque and result in looseness and other problems.

2. STATIC ELECTRICITY DAMAGE SA03676A1502

Do not touch the ECM, connectors, logic boards, and other such parts when there is a risk of static electricity. Always use a static electricity prevention cord or touch grounded metal before conducting work.

3. IGNITION OFF BATTERY SA03676A1503

When removing the battery cables, always be sure to turn the ignition off to prevent electrical damage to the ECM from rush current.

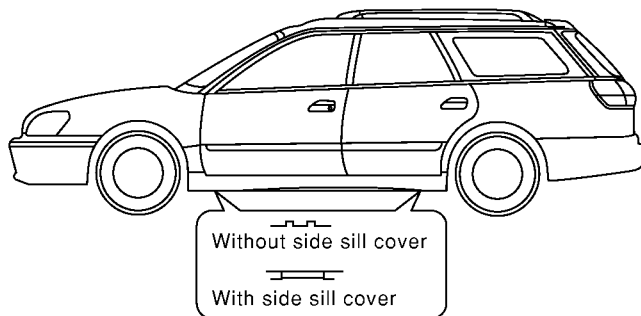
4. SERVICE PARTS SA03676A1504

Use authentic service parts for maximum performance and maintenance, when conducting repairs. Subaru/FHI will not be responsible for poor performance resulting from the use of parts not specified by a genuine dealer.

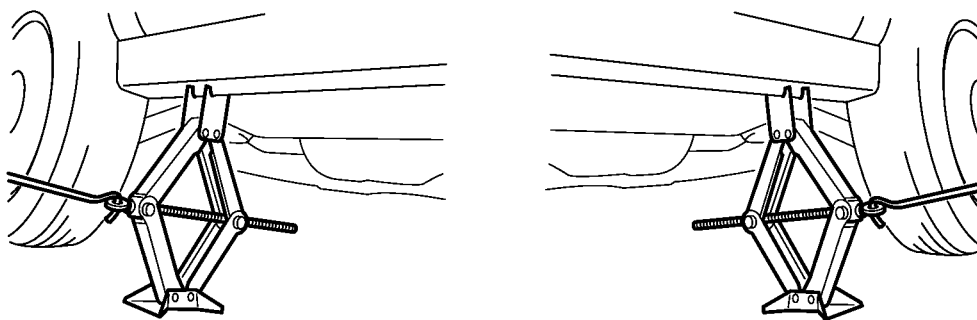
5. LIFTS AND JACKS SA03676A1505

When using a lift or jack-ridged rack to raise a vehicle, always follow instructions concerning jack-up points and weight limits to prevent the vehicle from falling, which could result in injury. Be especially careful to make sure the vehicle is balanced before raising it.

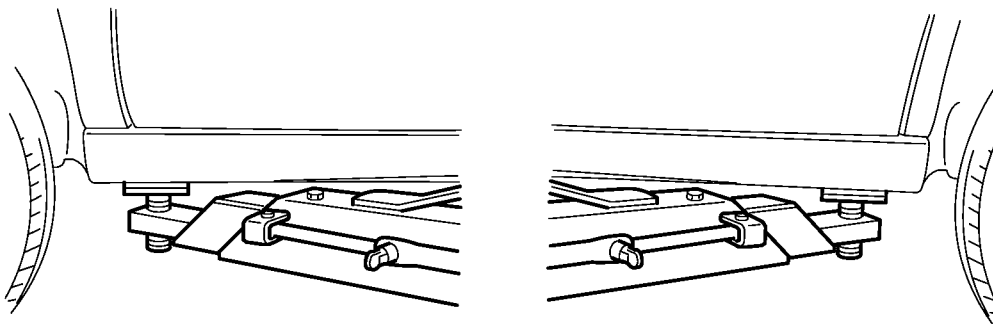
Support locations



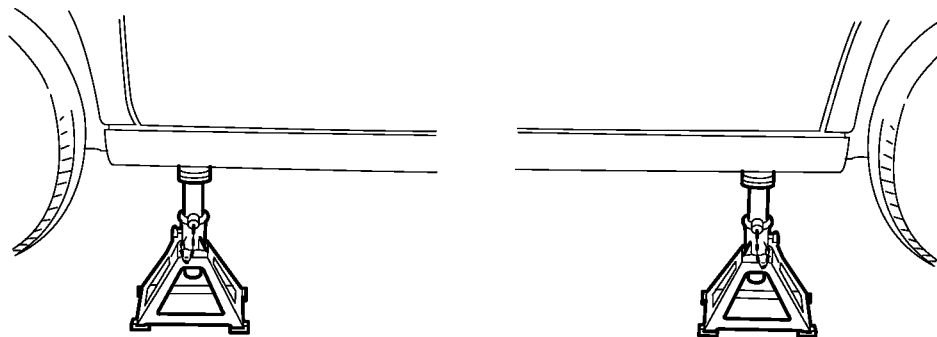
Pantograph jack



Lift



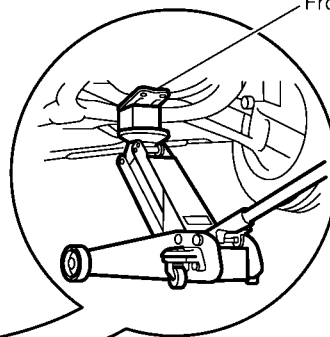
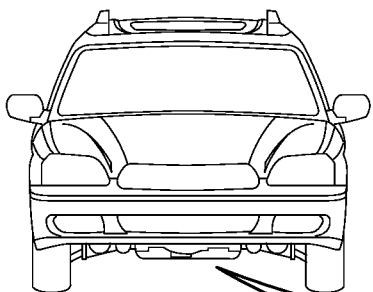
Safety stand



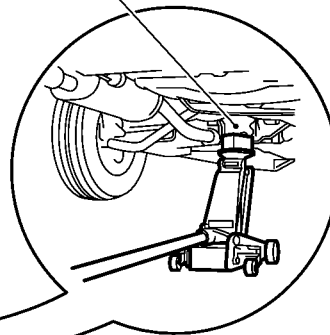
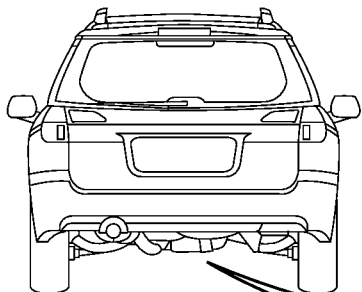
NOTE

Note

Front



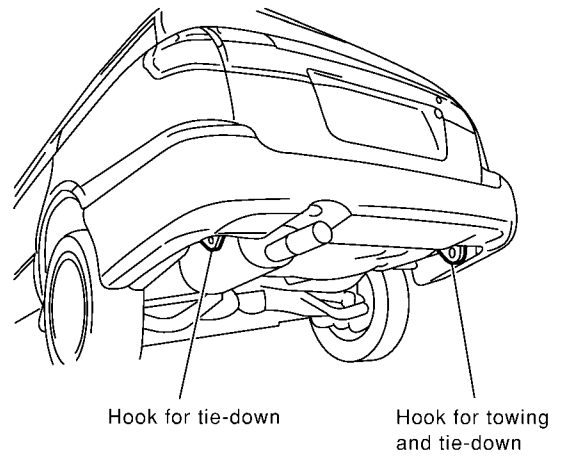
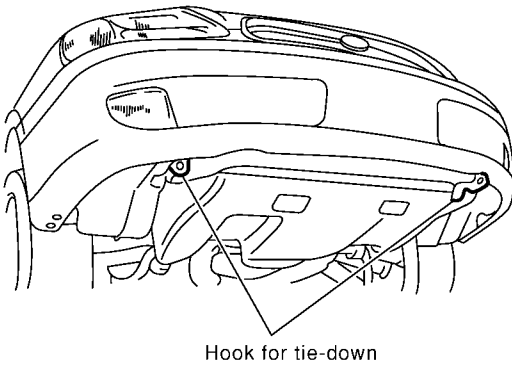
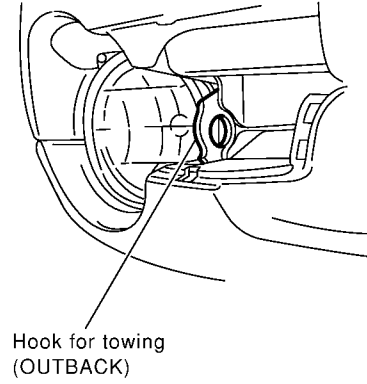
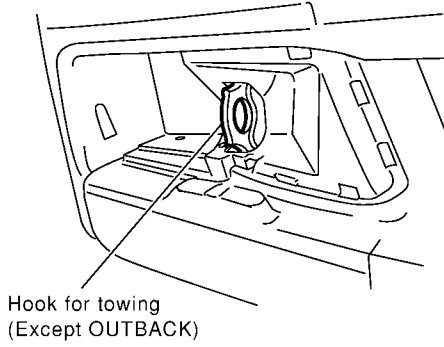
Rear



GI0101B

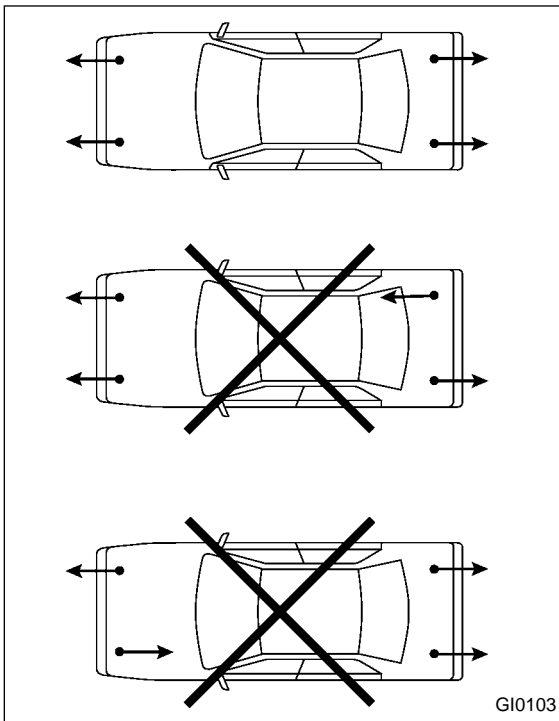
6. TIE DOWNS SA03676A1506

Tie downs are used when transporting vehicles and when using the chassis dynamo. Attach tie downs only to the specified points on the vehicle.



B1M0489A

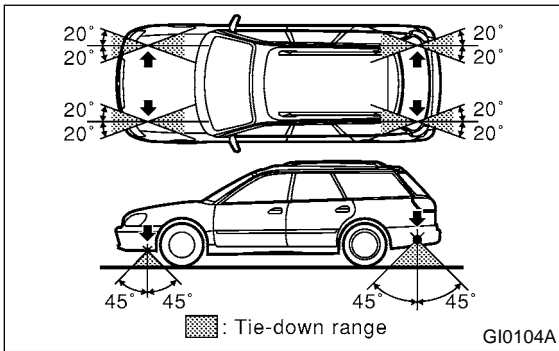
NOTE



7. TOWING SA03676A1507

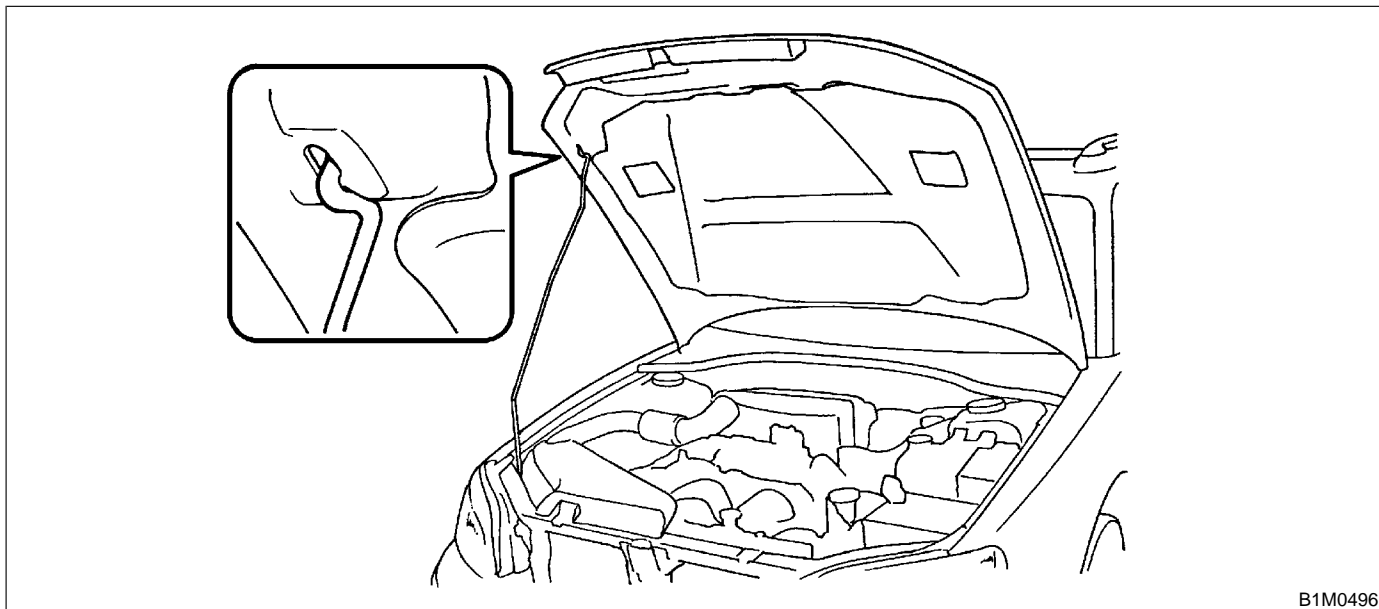
Avoid towing vehicles except when the vehicle cannot be driven. For vehicles with AWD, AT, or VTD, use a loader instead of towing. When towing other vehicles, to prevent excessive weight from damaging the hook or vehicle:

- Do not tow other vehicles with a front towing hook.
- Make sure the vehicle towing is heavier than the vehicle being towed.



8. FRONT HOOD STAY INSTALLATION SA03676A1510

- At the check and general maintenance



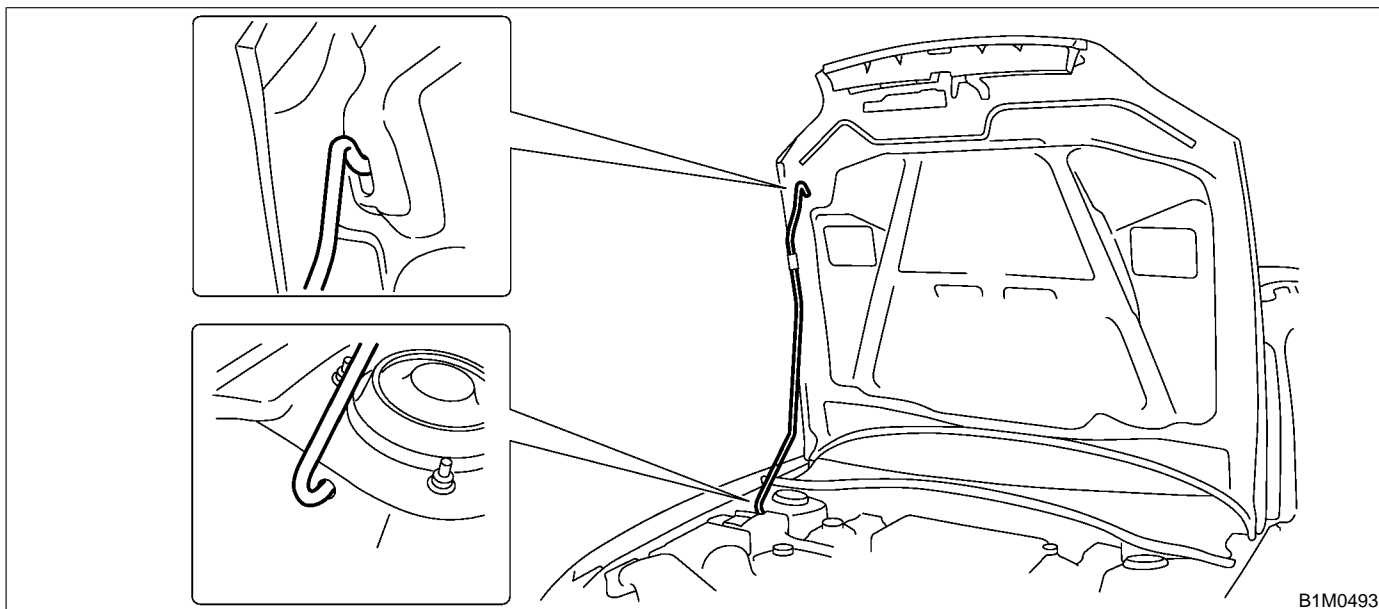
B1M0496

- When wider hood opening is necessary

Set stay into the hole of hood inner as shown in the figure below.

NOTE:

Before setting the hood in this position, remove the windshield washer hose attaching clip from the hood.



B1M0493

9. TRAINING SA03676A1508

For information about training, contact a dealer or agent.

10. GENERAL SCAN TOOL SA03676A1509

Using general scan tools will greatly improve efficiency of repairing engine electronic controls. The Subaru Select Monitor can be used to diagnose the engine and also the ABS, the air conditioner, and other parts.