

HOW TO USE THIS MANUAL

N00BAAA

CONTENTS

The preceding page contains the GROUP INDEX which lists the group title and group number.

PAGE NUMBERS

All page numbers consist of two sets of digits separated by a dash. The digits preceding the dash identify the number of the group. The digits following the dash represent the consecutive page number within the group. The page numbers can be found on the top left or right of each page.

TEXT

Unless otherwise specified, each service procedure covers all models. Procedures covering specific models are identified by the model codes, or similar designation (engine type, transmission type, etc.). A description of these designations is covered in this unit under "VEHICLE IDENTIFICATION".

TROUBLESHOOTING

Troubleshootings are classified into master troubleshooting and group troubleshooting and located as follows:

The master troubleshooting is prepared when the trouble symptom relates to two or more groups and given in MASTER TROUBLESHOOTING.

The group troubleshooting guide is prepared for causes of problems related to that individual group only; a troubleshooting guide is prepared for each appropriate group.

SERVICE PROCEDURES

The service steps are arranged in numerical order and attentions to be paid in performing vehicle service are described in detail in SERVICE POINTS.

DEFINITION OF TERMS

STANDARD VALUE

Indicates the value used as the standard for judging the quality of a part or assembly on inspection or the value to which the part or assembly is corrected and adjusted. It is given by tolerance.

LIMIT

Shows the standard for judging the quality of a part or assembly on inspection and means the maximum or minimum value within which the part or assembly must be kept functionally or in strength. It is a value established outside the range of standard value.

Indicates incidental operation to be performed before removal or after installation

Removal steps : The numbers before part names correspond to numbers in the illustration and indicate the order of removal.

Disassembly steps : The numbers before part names correspond to numbers in the illustration, and indicate the order of disassembly.

Installation steps : This is provided if installation cannot be made in the reverse order of "Removal steps"; omitted if installation in the reverse order of "Removal steps" is possible.

Reassembly steps : This is provided if reassembly cannot be made in the reverse order of "Disassembly steps"; omitted if reassembly in the reverse order of "Disassembly steps" is possible.

Classification of SERVICE POINTS

◀▶ : Removal
▶▶ : Installation
◀◀ : Disassembly
▶◀ : Reassembly

Page number

Group title

Section title

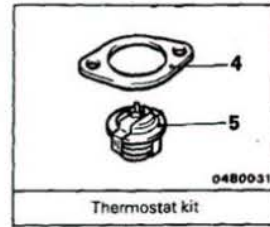
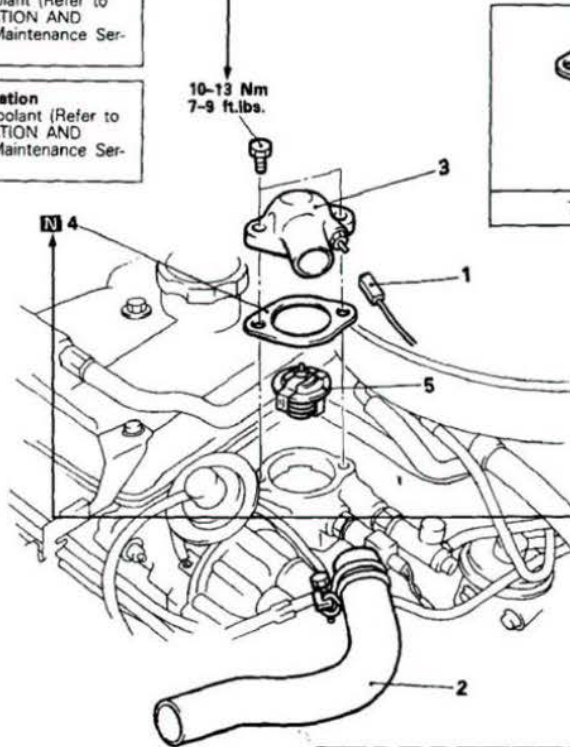
7-10

COOLING – Thermostat

**THERMOSTAT
REMOVAL AND INSTALLATION**

- Pre-removal Operation**
- Draining of the Coolant (Refer to GROUP 0 LUBRICATION AND MAINTENANCE – Maintenance Service.)
- Post-installation Operation**
- Supplying of the Coolant (Refer to GROUP 0 LUBRICATION AND MAINTENANCE – Maintenance Service.)

10-13 Nm
7-9 ft.lbs.



Indicates tightening torque

Repair kit or set parts are shown. (Only very frequently used parts are shown.)

Indicates non-reusable part.

This number corresponds to the number in "Removal steps", "Disassembly steps", "Installation steps" or "Reassembly steps".

Removal steps

1. Connection of water temperature switch connector (Vehicles with an air conditioner)
2. Connection of radiator upper hose
3. Water outlet fitting
4. Water outlet fitting gasket
5. Thermostat

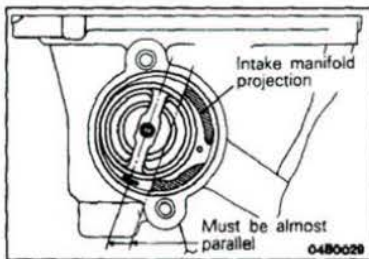
NOTE
 (1) Reverse the removal procedures to reinstall.
 (2) ♦♦ : Refer to "Service Points of Installation"
 (3) N : Non-reusable parts

SERVICE POINTS OF INSTALLATION

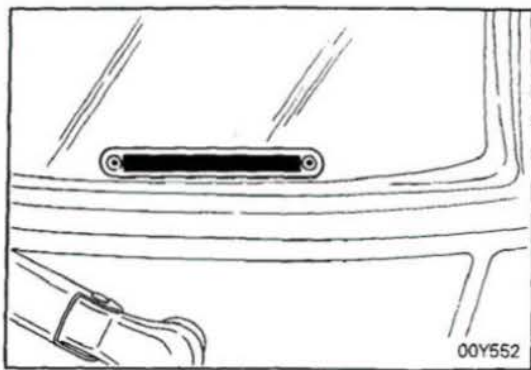
5. INSTALLATION OF THERMOSTAT

Install the thermostat to the intake manifold as illustrated.

Caution
 The thermostat flange fits over the manifold seat; ensure that the thermostat is not installed at an angle.



An explanation of procedures, notes, etc. regarding removal, installation, disassembly and reassembly.



VEHICLE IDENTIFICATION

VEHICLE IDENTIFICATION NUMBER LOCATION

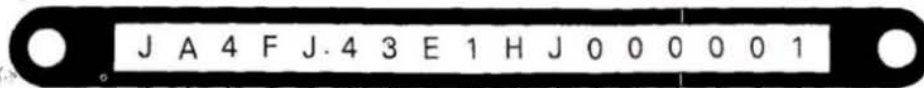
^{N00CA--}

The vehicle identification number (V.I.N.) is located on a plate attached to the left top side of the instrument panel.

VEHICLE IDENTIFICATION CODE CHART PLATE

^{N00CB-A}

All vehicle identification numbers contain 17 digits. The vehicle number is a code which tells country, make, vehicle type, etc.



1st digit	2nd digit	3rd digit	4th digit	5th digit	6th digit	7th digit	8th digit	9th digit	10th digit	11th digit	12th thru 17th digit
Country	Make	Vehicle type	Others	Line	Price class	Body	Engine	Check digit	Model year	Plant	Serial number
J- Japan	A- Mitsu- bishi	4- Multi- purpose vehicle (MPV) 7-Truck	F- 4001 lbs. or more with hydraulic brakes	J- MON- TERO	2- Low 4- High	3- 3-door metal- top or van	E- 2.6 liters (155.9 C.I.D.)	0 1 2 3 . . . 9 X	H- 1987 year	J- Nagoya -3	000001 to 999999

NOTE

**"Check digit" means a single number or letter X used to verify the accuracy of transcription of vehicle identification number.

VEHICLE IDENTIFICATION NUMBER LIST

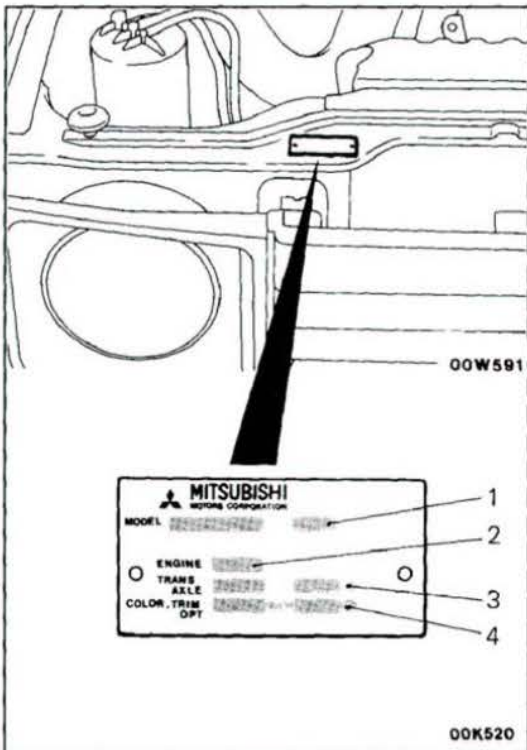
FEDERAL

N00CC--

VIN (except sequence number)	Brand	Engine displacement	Model code
JA4FJ43E□HJ	MITSUBISHI MONTERO	2.555 liters (155.9 C.I.D.)	L042GVNJLF
JA4FJ43E□HJ			L042GVRJLF
JA7FJ23E□HJ			L042GTNSLF
JA7FJ23E□HJ			L042GTRSLF

CALIFORNIA (Can also be sold in Federal states.)

VIN (except sequence number)	Brand	Engine displacement	Model code
JA4FJ43E□HJ	MITSUBISHI MONTERO	2.555 liters (155.9 C.I.D.)	L042GVNJLH
JA4FJ43E□HJ			L042GVRJLH
JA7FJ23E□HJ			L042GTNSLH
JB7FJ23E□HJ			L042GTNSLH



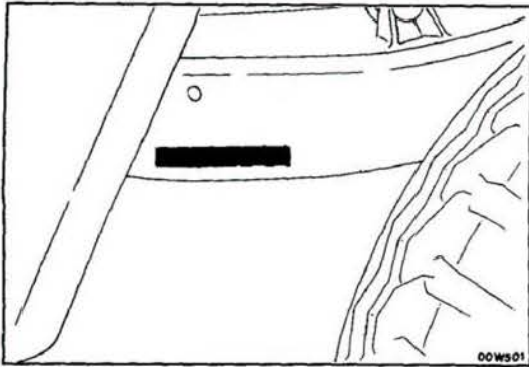
VEHICLE INFORMATION CODE PLATE

N00CD-A

Vehicle information code plate is riveted on the headlight support panel in the engine compartment. The plate shows model code, engine model, transmission model, and body color code.

- 1. MODEL L042G VNJLF
Model series
Vehicle model
 - 2. ENGINE G54B
Engine model
 - 3. TRANS AXLE KM145
Transaxle model
 - 4. COLOR, TRIM OPT B76
Montone exterior color code
- B21B76H43
Two-tone color code
Exterior code
- Two-tone exterior is shown by the exterior code followed by the two color codes.

6 INTRODUCTION AND MASTER TROUBLESHOOTING – Vehicle Identification



CHASSIS NUMBER

STAMPING LOCATION

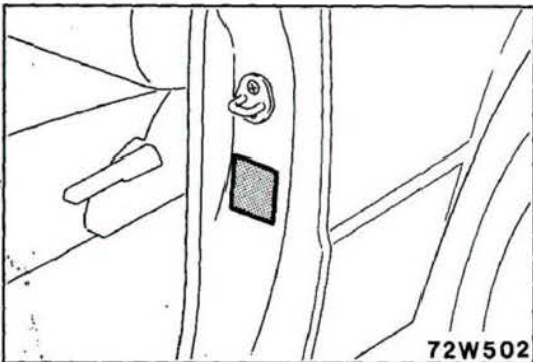
N00CE-A

The chassis number is stamped on the side of the frame near the right rear shock absorber.

CHASSIS NUMBER CODE CHART

L04 2 V HJ000001

Vehicle line	Engine displacement	Body type	Refer to 10th thru 17th digits of V.I.N. plate
L04-MONTERO	2-2.555 liters (155.9 C.I.D.)	V-3-door metal-top T-Van	

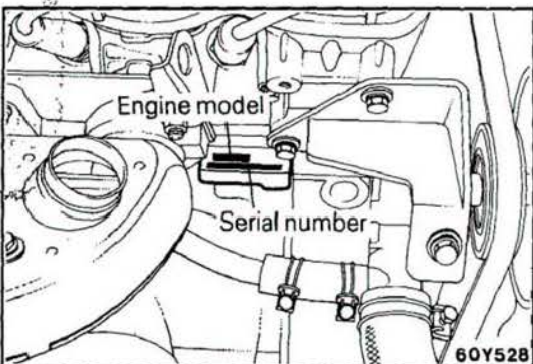


VEHICLE SAFETY CERTIFICATION LABEL

N00CF--

The vehicle safety certification label is attached to face of left door pillar.

This label indicates the month and year of manufacture, Gross Vehicle Weight Rating (G.V.W.R.), front and rear Gross Axle Weight Rating (G.A.W.R.), and Vehicle Identification Number (V.I.N.).



ENGINE MODEL STAMPING

N00CG--

The engine model number is stamped at the right front side on the top edge of the cylinder block as shown in the following:

Engine model	Engine displacement
G54B	2.555 liters (155.9 C.I.D.)

The engine serial number is stamped near the engine model number, and the serial number cycles, as shown below.

Engine serial number	Number cycling
AA0201 to YY9999	AA0201 ----> AA9999
	AB0001 ----> AY9999
	BA0001 ----> YY9999

BODY COLOR CODE

N00CH-

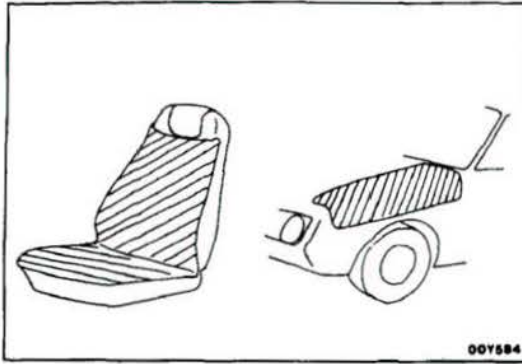
Exterior code	Body color
Monotone B76 C19 H43 R52 S70 X15	Dark blue (Metallic) Brown (Metallic) Silver (Metallic) Red Beige Black
Two-tone B21B76H43 C38C19X13 H15H43X13 R06R52X13 S69S70X13 X45X15H43	Silver (Metallic)/ Dark blue (Metallic) Black/ Brown (Metallic) Black/ Silver (Metallic) Black/Red Black/Beige Black/ Silver (Metallic)

PRECAUTIONS BEFORE SERVICE

PROTECTING THE VEHICLE

N00DAAC

If there is a likelihood of damaging painted or interior parts during service operations, protect them with suitable covers (such as seat covers, fender covers, etc.).



REMOVAL AND DISASSEMBLY

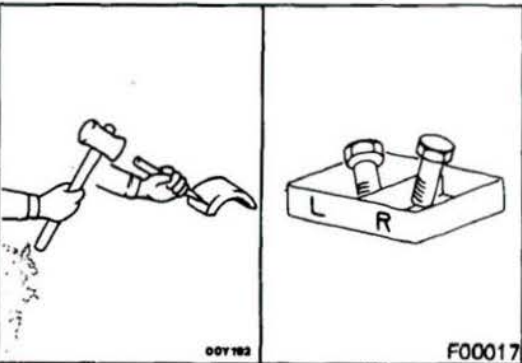
When checking a malfunction, find the cause of the problem. If it is determined that removal and/or disassembly is necessary, perform the work by following the procedures contained in this Workshop Manual.



If punch marks or mating marks are made to avoid error in assembly and facilitate the assembly work, be sure to make them in locations which will have no detrimental effect on performance and/or appearances.

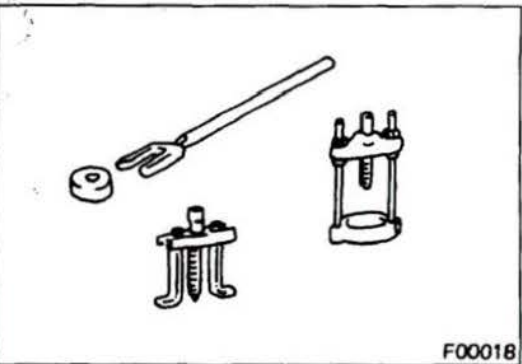
If an area having many parts, similar parts, and/or parts which are symmetrical right and left is disassembled, be sure to arrange the parts so that they do not become mixed during the assembly process.

1. Arrange the parts removed in the proper order.
2. Determine which parts are to be reused and which are to be replaced.
3. If bolts, nuts, etc., are to be replaced, be sure to use only the exact size specified.



SPECIAL TOOLS

If other tools are substituted for the special tools to do service or repair work, there is the danger that vehicle parts might be damaged, or the mechanic might be injured; therefore, be sure to use the special tool whenever doing any work for which the use of one is specified.



PARTS TO BE REPLACED

If any of the following parts are removed, they must be replaced with new parts.

1. Oil seals
2. Gaskets (except rocker cover gasket)
3. Packings
4. O-rings
5. Lock washers
6. Cotter pins
7. Self-locking nuts

