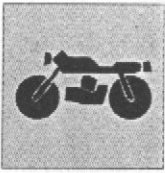


Summary

| | Section |
|------------------------------|---------|
| General | A |
| Maintenance | B |
| Troubles and remedies | C |
| Adjustments | D |
| General operations | E |
| Engine disassembly | F |
| Engine overhauling | G |
| Engine re-assembly | H |
| Suspensions and wheels | I |
| Brakes | L |
| Electric system | M |
| Engine cooling system | N |
| C.T.S. exhaust valve | O |
| Specific tools | W |
| Torque wrench settings | X |
| Analytical index | Z |

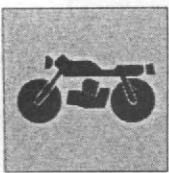




Section

A





GENERAL

| | |
|--------------------------|-----|
| Engine | A.7 |
| Fuel feeding | A.7 |
| Lubrication | A.7 |
| Cooling | A.7 |
| Ignition | A.7 |
| Starting | A.7 |
| Transmission | A.7 |
| Brakes | A.7 |
| Frame | A.7 |
| Suspensions | A.7 |
| Wheels | A.7 |
| Tyres | A.7 |
| Electric system | A.8 |
| Performances | A.8 |
| Weights | A.8 |
| Overall dimensions | A.8 |
| Supply | A.8 |

**ENGINE**

Single-cylinder, two-stroke engine, with lamellar suction and electronic control C.T.S. valve on the exhaust system.

| | |
|--|--------------|
| Bore | 2.204 in. |
| Stroke | 1.992 in. |
| Capacity | 7.602 cu.in. |
| Compression ratio (with closed lights) | 6,3:1 |

FUEL FEEDING

Intake setting by lamellar valve.

DISTRIBUTION DIAGRAM

TRANSFER:

EXHAUST:

With closed valve

With open valve

Carburetor

LUBRICATION**ENGINE**

Through variable delivery pump.

SHIFTING and MAIN TRANSMISSION

Through the oil contained in the engine block.

COOLING

With liquid circulation through a pump.

Big bent radiator, constrained to the frame.

IGNITION

Electronic.

Make

Ignition advance:

(corresponding to 0.039 in. of piston stroke before T.D.C)

Spark plug

Electrode gap

STARTING

Electric.

TRANSMISSION

Cluster constant-mesh gears.

Primary ratio

Gear ratios

1st

2nd

3rd

4th

5th

6th

7th

Final drive ratio

Gearing chain

Total ratios

1st

2nd

3rd

4th

5th

6th

7th

Oil-bath multi-disc clutch type.

BRAKES**Front brake**

Perforated fixed disc, with hydraulic control and floating caliper.

Disc diameter

Brake caliper

Pad area

Rear brake

Perforated fixed disc, with hydraulic control and fixed caliper.

Disc diameter

Brake caliper

Pad area

FRAME

Double cross-member with extruded tubular and aluminium melted parts; rear tailpiece with square steel pipes.

Steering angle

Steering axis angle

Front fork caster

SUSPENSIONS**Front suspension**

Tele-hydraulic fork with possible adjustment of the inner spring preload.

Producer

Legs diameter

Front wheel bump position (on the sliding axis)

Rear suspension

Light alloy floating fork with "banana" shaped R.H. arm. Progressive leverage suspension (SOFT DAMP system) and hydraulic mono-damper with helical spring. The spring preload can be adjusted.

Damper make

Rear wheel vertical travel

WHEELS

Three-spoke light alloy **front** rim.

Make

Dimensions

Three-spoke light alloy **rear** rim.

Make

Dimensions

TYRES**Front (*)**

Manufacturer and type

Dimensions

or:

Manufacturer and type

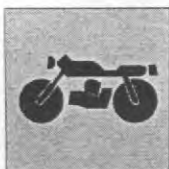
Dimensions

Inflation pressure (in cold condition)

driver only

with passenger





Rear (*)

Manufacturer and type PIRELLI TUBELESS MT75
 Dimensions 140/70-S17"
 or:
 Manufacturer and type MICHELIN TUBELESS RADIAL
 Dimensions 150/60-ZR17"
 Inflation pressure (in cold condition)
 driver only 2,1 bar PIRELLI; 2,0 bar MICHELIN
 with passenger 2,3 bar PIRELLI; 2,2 bar MICHELIN

(*) In alternative, **PIRELLI** and **MICHELIN** on model without fairing.
MICHELIN on model with fairing.

ELECTRIC SYSTEM

The ignition system is composed by:
 - Generator: 12V-120W for a full battery recharge;
 - Starting motor 12V-500W;
 - Electronic coil;
 - Electronic device;
 - Voltage rectifier;
 - Solenoid starter;
 - Starting control system;
 - Ignition spark plug.

The electronic control of the exhaust valve is composed by the following parts:

- Opening valve control system;
 - Valve control motor 12V-3,3 W.
- The components of the electric system are:
- Double headlight with bilux lamps 12V-25/25W and parking light bulbs 12V-5W;
 - Dashboard with instruments bulbs 12V-2W and warning lights 12V-1,2W;
 - Blinker with bulb 12V-10W;
 - Battery 12V-9A;
 - NO. 4 fuses 15A, two spare-fuses;
 - Tail light with stop light 12V-21 W and parking light bulb 12V-5W.

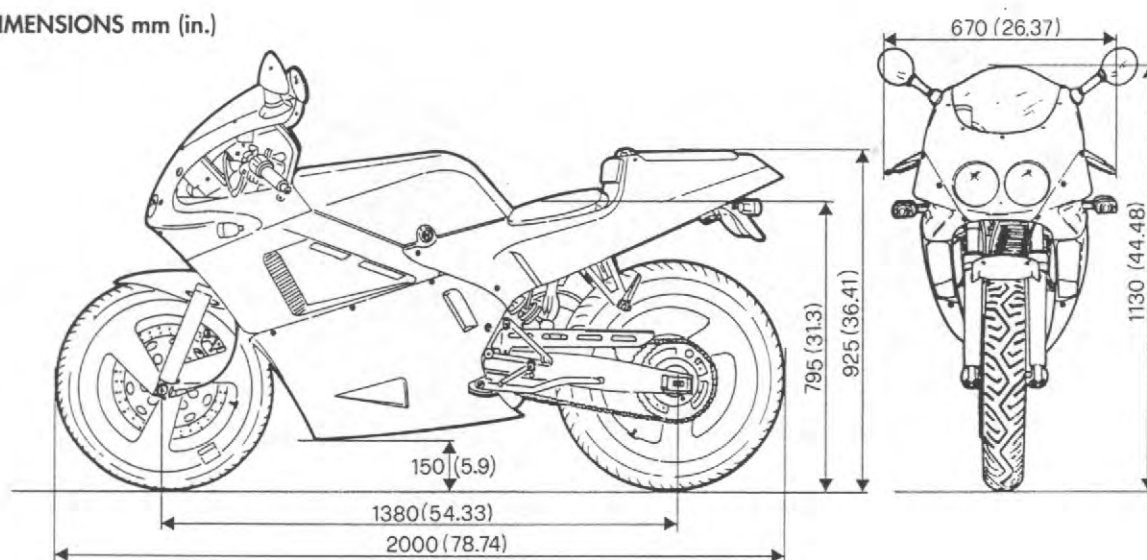
PERFORMANCES

Max. actual speed 96.1 mile/h
 Fuel average consumption 9.3 mile/l

WEIGHTS

Total dry weight (model with fairing) 266.75 lb.
 Total dry weight (model without fairing) 259.04 lb.

OVERALL DIMENSIONS mm (in.)



SUPPLY

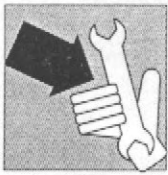
TYPE

QUANTITY (liters)

| | | |
|---------------------------------------|----------------------------------|----------------|
| Fuel tank | Super fuel 98-100 ON (min) | 18 |
| Reserve | (warning lamp comes ON) | 4 |
| Fuel mixture oil | AGIP 2T RACING PLUS | 1 |
| Change gear and main transmission oil | AGIP F.1 SUPERMOTOROIL SAE 15W50 | 0,800 |
| Front fork oil | Specific "MARZOCCHI" SAE 7,5 | (see page 1.5) |
| Cooling system fluid | AGIP NUOVO PERMANENT EXTRA | 1,5 |
| Hydraulic brake fluid | AGIP BRAKE FLUID DOT 4 | — |
| Drive chain lubrication | AGIP CHAIN AND DRIVE SPRAY | — |
| Flexible connections | AGIP GREASE 30 | — |

REMARK - At temperature lower than -5°C fill up the fuel tank with 1% mixture rather than petrol only.

WARNING! - Use of additives in fuel or lubricants is not allowed.



Section

B

