

77-84?

WORKSHOP MANUAL
of
SKODA 105 S, 105 L, 120 L,
120 LE, 120 LS and 120 LSE

PASSENGER
CARS

REVISED EDITION

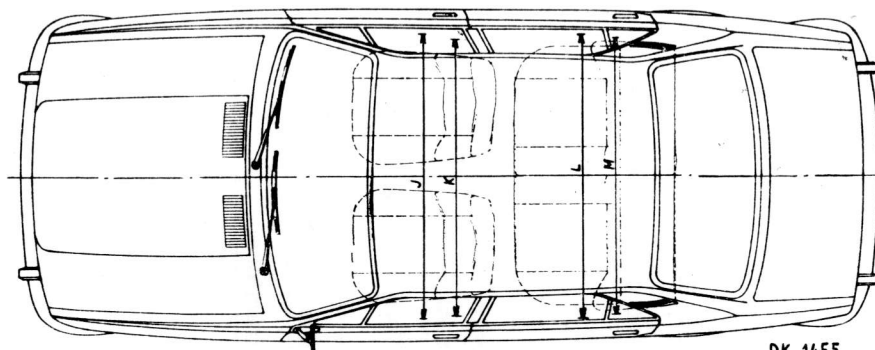
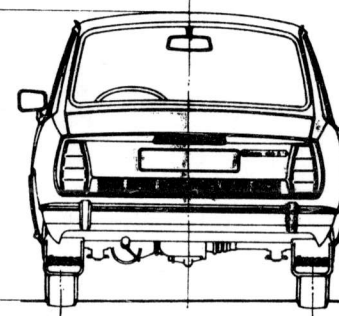
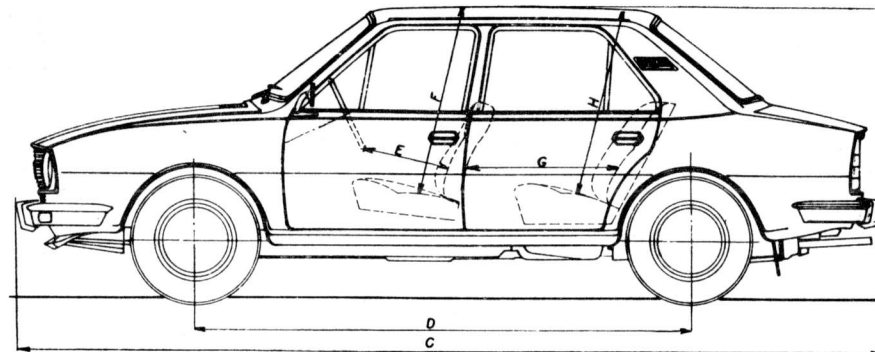
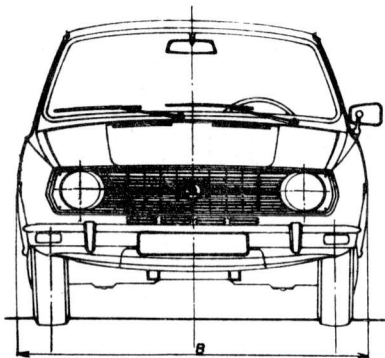
1980 VERSION

CONTENTS

	page
Introduction	3
1 - General technical information	7
2 - Engine	25
3 - Clutch	67
4 - Power transmission mechanisms - gearbox and final drive	73
5 - Rear axle	93
6 - Front axle	101
7 - Steering	119
8 - Suspension and shock absorbers	127
9 - Brake system	133
10 - Wheels and tyres	143
11 - Cooling system and heater	149
12 - Pedals, levers, operating rods, cables, pipelines, fuel tank	159
13 - Electrical equipment	167
14 - Bodywork	199
15 - Maintenance	217
16 - Special equipment	233
17 - Service tools	235

1 - GENERAL TECHNICAL INFORMATION

	Page
<u>1.1 General Characteristics of Cars</u>	<u>9</u>
<u>1.2 Identification Plates and Numbers, Keys</u>	<u>9</u>
<u>1.3 Functional Car Equipment</u>	<u>9</u>
<u>1.4 Car Jacking-up and Towing</u>	<u>15</u>
<u>1.5 Spare Wheel and Fuel Tank</u>	<u>16</u>
<u>1.6 Starting the Engine</u>	<u>16</u>
<u>1.7 Technical Data (dimensional, performance, and other data)</u>	<u>17</u>
<u>1.8 Tightening Torques of Bolts, Screws, and Nuts</u>	<u>21</u>
<u>1.9 Physical Units</u>	<u>23</u>
<u>1.10 General instructions</u>	<u>24</u>



DK 1455

Fig. 1/1 Car Dimensional Drawing

A - Total height	1400 mm	G - Distance between seat backrests	700 $\begin{matrix} +100 \\ -50 \end{matrix}$ mm
B - Total width	1595 mm	H - Distance between seat cushion and ceiling	870 mm
C - Total length	4160 mm	J, L - Width at elbow height	1350 mm
D - Wheel base	2400 mm	K, M - Width at shoulder height	1320 mm
E - Distance between steering wheel and seat backrest	400 $\begin{matrix} +50 \\ -100 \end{matrix}$ mm		
F - Distance between seat cushion and ceiling	900 mm		

1.1 GENERAL CHARACTERISTICS OF CARS — U.K. VERSION

The Škoda 105 S is a five-seat car with a chassisless body, a rear spark-ignition petrol engine, and a driving rear axle. The radiator is in front.

Since 1978 105 S includes items 1, 2, 4, 8, 9, 10, 11.

ŠKODA 105 L is the ŠKODA 105 S car with refined appointments and extras, i. e.:

- wheel embellishers
- wind-up rear-door windows
- adjustable front seat backrests and headrests
- ashtrays in rear-door panels
- decorative cover strips on door sills
- mouldings at bottom of window openings
- halogen headlamps
- automatic switching off of direction indicators
- instrument panel with circular dials
- switch of disability warning lights
- reversing lamp

ŠKODA 120 L is the ŠKODA 105 L car with boosted engine power (increased swept volume, etc.) and other refinements, for example halogen headlamps, asymmetric.

ŠKODA 120 LS is the ŠKODA 120 L car with further increased engine power (due to increased compression ratio, etc.) and incorporating the following extras:

- glossy frame around windows
- twin headlamps

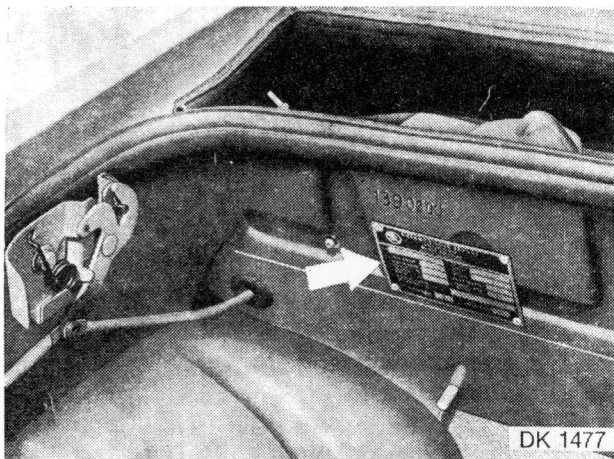


Fig. 1.2/1 Car Identification Plate

- instrument panel with tachometer
- brake booster

All models fitted with Brake Servo since 1978.

Since 1979, 120 LE and 120 LSE updated trim of basic 120 L and 120 LS.

1.2 IDENTIFICATION PLATES AND NUMBERS, KEYS

Identification plate and car identification number

The plate is affixed to the transverse wall of the luggage boot (main luggage compartment). It contains the name of the manufacturer, some of the technical data, the number of the engine and bodywork which is also the identification number of the car. The serial number of the body itself is stamped along the identification plate, or on the body left-hand longitudinal runner in the engine bay (in the point of jack fitting), and the engine number on the water pump flange.

Keys

Three keys are provided with the car: the door key, the ignition key for the switchbox with the steering lock, and the key for the fuel tank filler cap lock.

1.3 FUNCTIONAL CAR EQUIPMENT

Doors

Both front doors can be locked from outside with the key, all doors can be secured by inside press-buttons against opening from the outside. Inside handles are used for unlocking and opening them from inside.

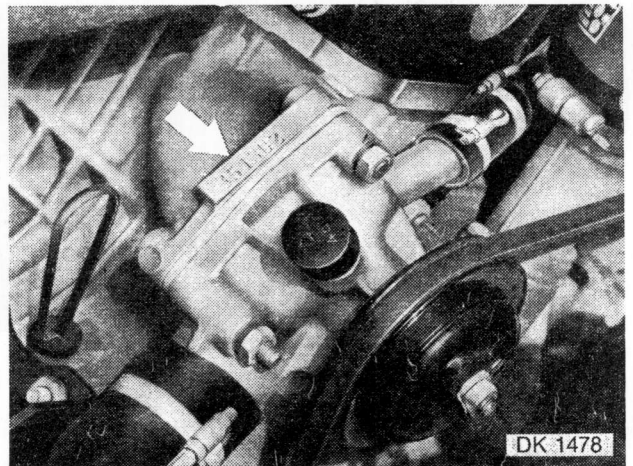


Fig. 1.2/2 Engine Serial Number