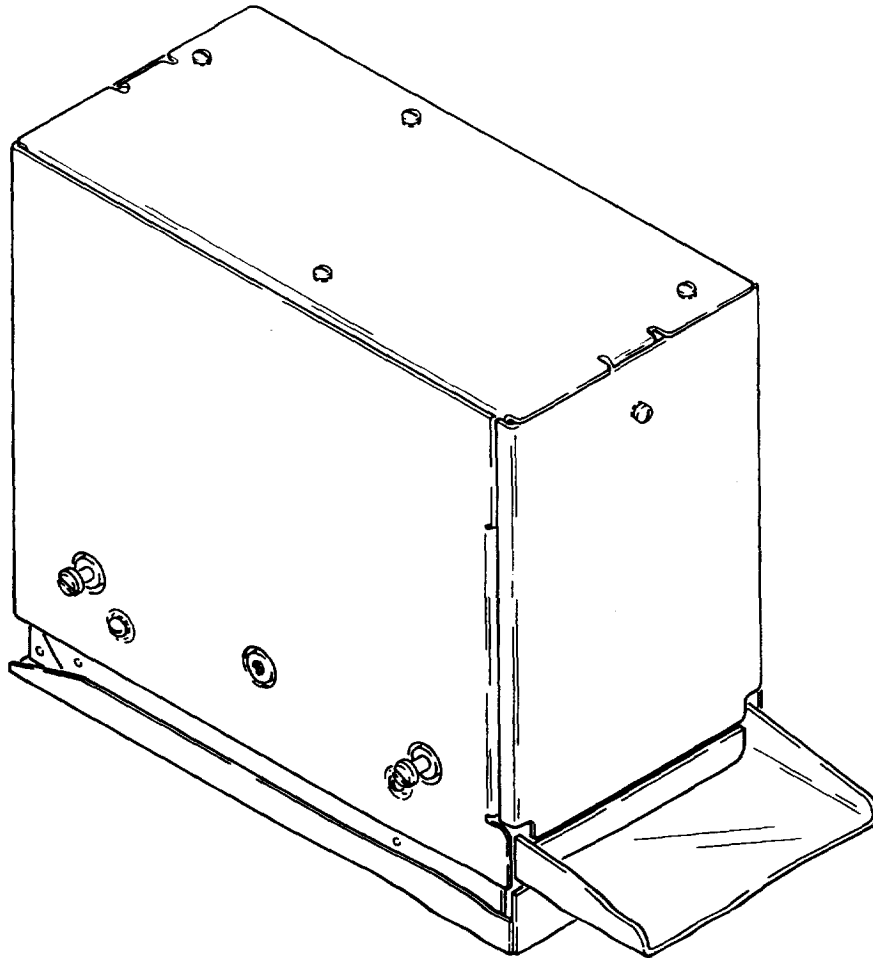


# BFV-2

PARTS and SERVICE

MANUAL



**CRANE**

**NATIONAL VENDORS**  
12955 Enterprise Way  
Bridgeton, MO 63044