

SPORTSMAN TRANSMISSION

SPECIFICATIONS

Torque Specifications

Table 8-1: Torque Specifications

COMPONENT	FT.LBS. (IN.LBS.)	NM
Transmission Case Bolts	27-34	37-46
Oil Deflector Screws	(16-30)	2-3.3
Shift Cover Bolt	6-12	8-16
Bell Crank Nut	12-18	16-24
Trans. Drain/Fill Plug	14	19
Trans. Mounting Bolts	25	34.5
Snorkel Lock Screw	8-12	11-16

Lubricant / Capacity

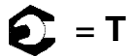
Use only Polaris recommended products if possible.



Specified Lubricant:

Polaris AGL Gearcase Lubricant
(Gallon - PN 2873603) (12 oz. - PN 2873602)

Capacity: 15 oz. (450 ml)



Fill Plug Torque: 14 ft.lbs. (19 Nm)

Drain Plug Torque: 14 ft.lbs. (19 Nm)

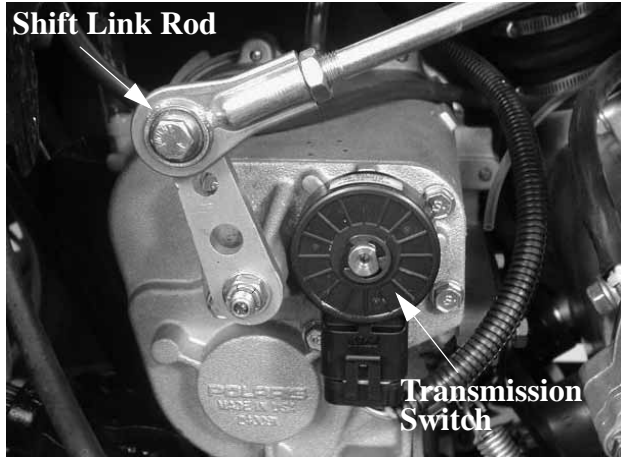
TRANSMISSION SERVICE

Transmission Removal

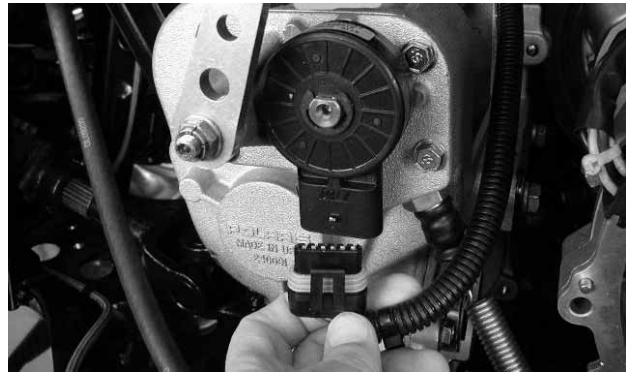
NOTE: Some transmission illustrations are depicted with Park Lock. Park Lock has been removed.

1. Disconnect link rod from gear selector handle.
2. Remove two bolts attaching gear selector mount to machine frame.
3. Lift gear selector out of mounting bracket and away from frame.
4. Remove seat, side panels, rear cab, air box, exhaust system, and footwells (as required for access).
5. Disconnect transmission vent line.
6. Drain transmission lubricant.
7. Disconnect shift link rod end from transmission bellcrank.

Shift Link Rod

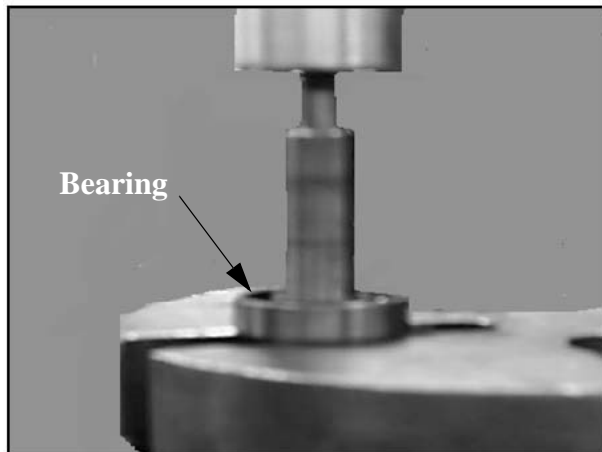


8. Disconnect gear position switch harness.

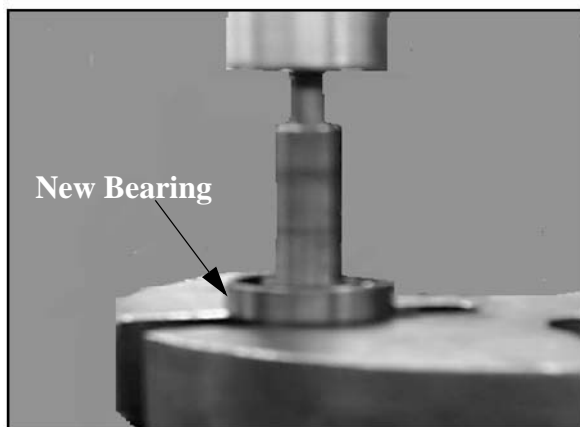


9. Remove the PVT outer cover, both drive and driven clutches, and the inner PVT cover (refer to Chapter 6).

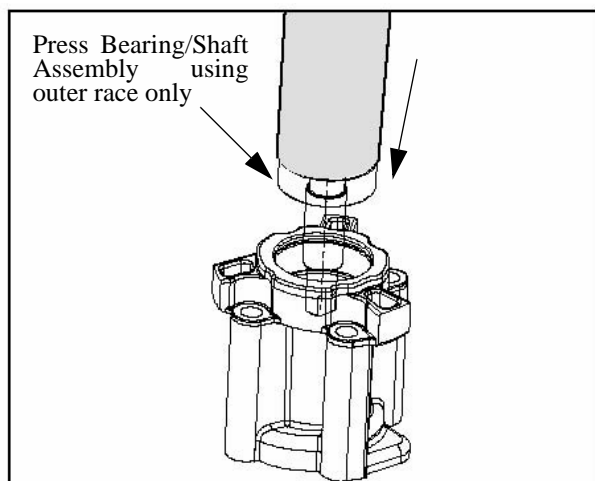
33. Place the shaft in a press to remove the bearing.



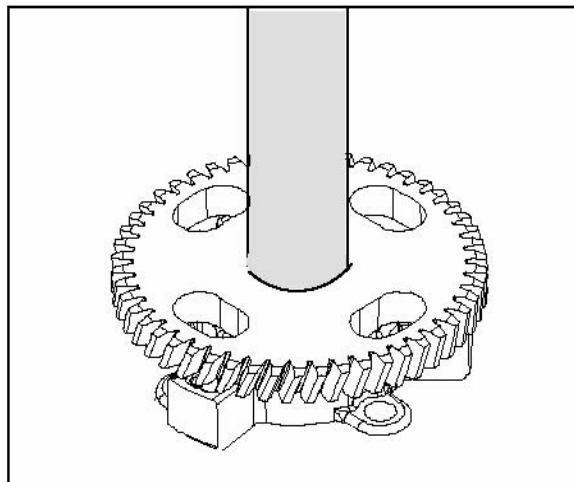
34. Press shaft into the new bearing..



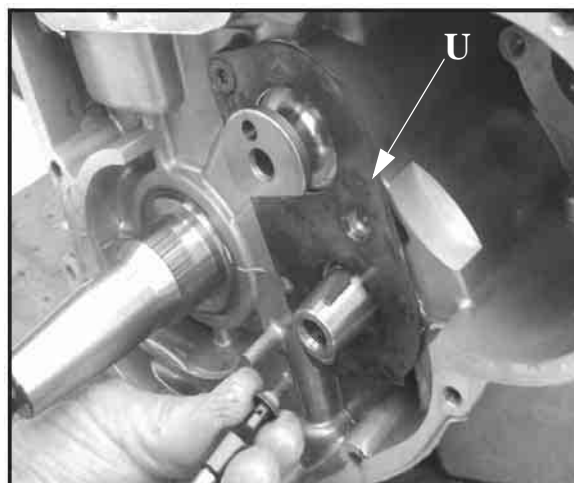
35. Press the bearing/shaft assembly using the bearing's outer race. Do not use the shaft to press the assembly into the housing, as bearing damage may result. Install retaining ring.



36. Press gear onto shaft while supporting the housing.



37. Remove thrust plate (U).



38. Remove PTO end engine mount. Remove crankcase bolts. Tap on the reinforced areas on the cases using soft hammer. Carefully separate the two crankcase halves.

