

FOREWORD

This manual contains an introductory description on the SUZUKI LT-F300/LT-F300F and procedures for its inspection/service and overhaul of its main components.

Other information considered as generally known is not included.

Read the GENERAL INFORMATION section to familiarize yourself with the vehicle and its maintenance. Use this section as well as other sections as a guide for proper inspection and service.

This manual will help you know the vehicle better so that you can assure your customers of fast and reliable service.

- * This manual has been prepared on the basis of the latest specifications at the time of publication. If modifications have been made since then, differences may exist between the content of this manual and the actual vehicle.
- * Illustrations in this manual are used to show the basic principles of operation and work procedures. They may not represent the actual vehicle exactly in detail.
- * This manual is written for persons who have enough knowledge, skills and tools, including special tools, for servicing SUZUKI vehicles. If you do not have the proper knowledge and tools, ask your authorized SUZUKI motorcycle dealer to help you.

▲ WARNING

Inexperienced mechanics or mechanics without the proper tools and equipment may not be able to properly perform the services described in this manual. Improper repair may result in injury to the mechanic and may render the vehicle unsafe for the rider.

SUZUKI MOTOR CORPORATION

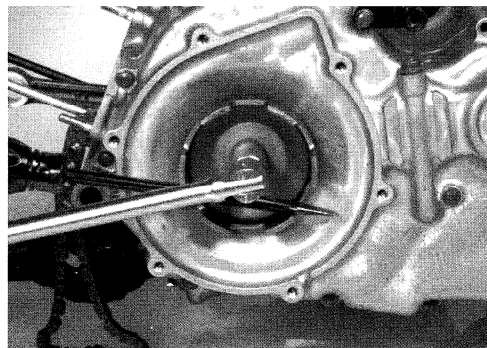
Motorcycle Service Department

© COPYRIGHT SUZUKI MOTOR CORPORATION 1998

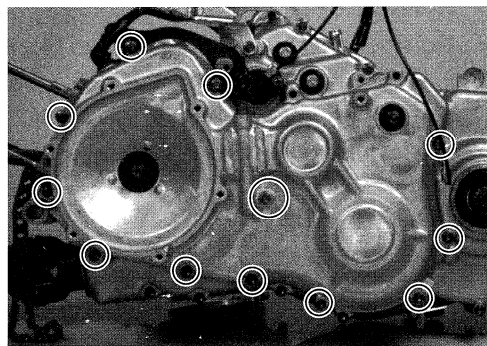
GROUP INDEX

| | |
|--|-----------|
| GENERAL INFORMATION | 1 |
| PERIODIC MAINTENANCE | 2 |
| ENGINE | 3 |
| SHAFT DRIVE AND DIFFERENTIAL GEARS (LT-F300F) | 4 |
| FUEL AND LUBRICATION SYSTEM | 5 |
| CHASSIS | 6 |
| ELECTRICAL SYSTEM | 7 |
| SERVICING INFORMATION | 8 |
| LT-F300Y/300FY (2000-MODEL) | 9 |
| LT-F300K1/300FK1('01-MODEL) | 10 |
| LT-F300FK2('02-MODEL) | 11 |

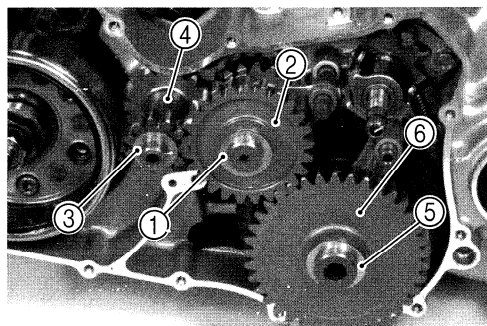
- Remove the starter cup.



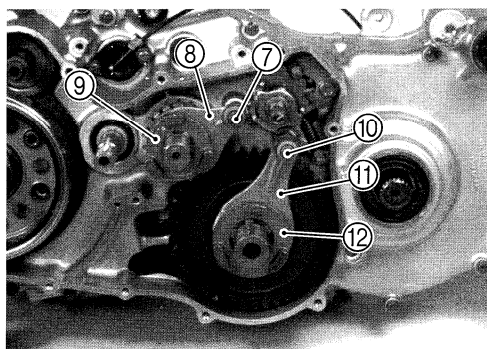
- Remove the generator rotor cover and exhaust cover stay.



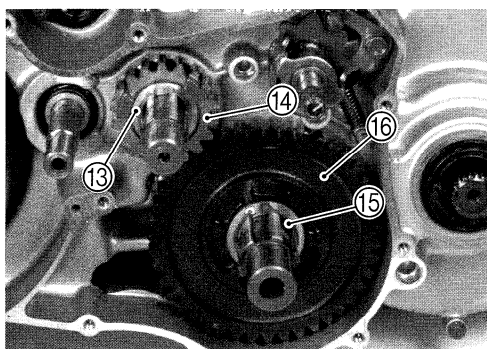
- Remove the washer ① and sub-transmission drive No.2 gear ②.
- Remove the washer ③ and sub-transmission idle gear ④.
- Remove the washer ⑤ and sub-transmission driven No.2 gear ⑥. For LT-F300F



- Remove the sub-transmission shift fork shaft No.1 ⑦, shift fork No.1 ⑧, and sliding dog ⑨.
- Remove the sub-transmission shift fork shaft No.2 ⑩, shift fork No.2 ⑪, and driven sliding dog ⑫. For LT-F300F



- Remove the circlip ⑬, and then the washer and sub-transmission drive gear No.1 ⑭.
- Remove the circlip ⑮, and then the washer and sub-transmission driven No.1 gear ⑯.



FOR E-24

