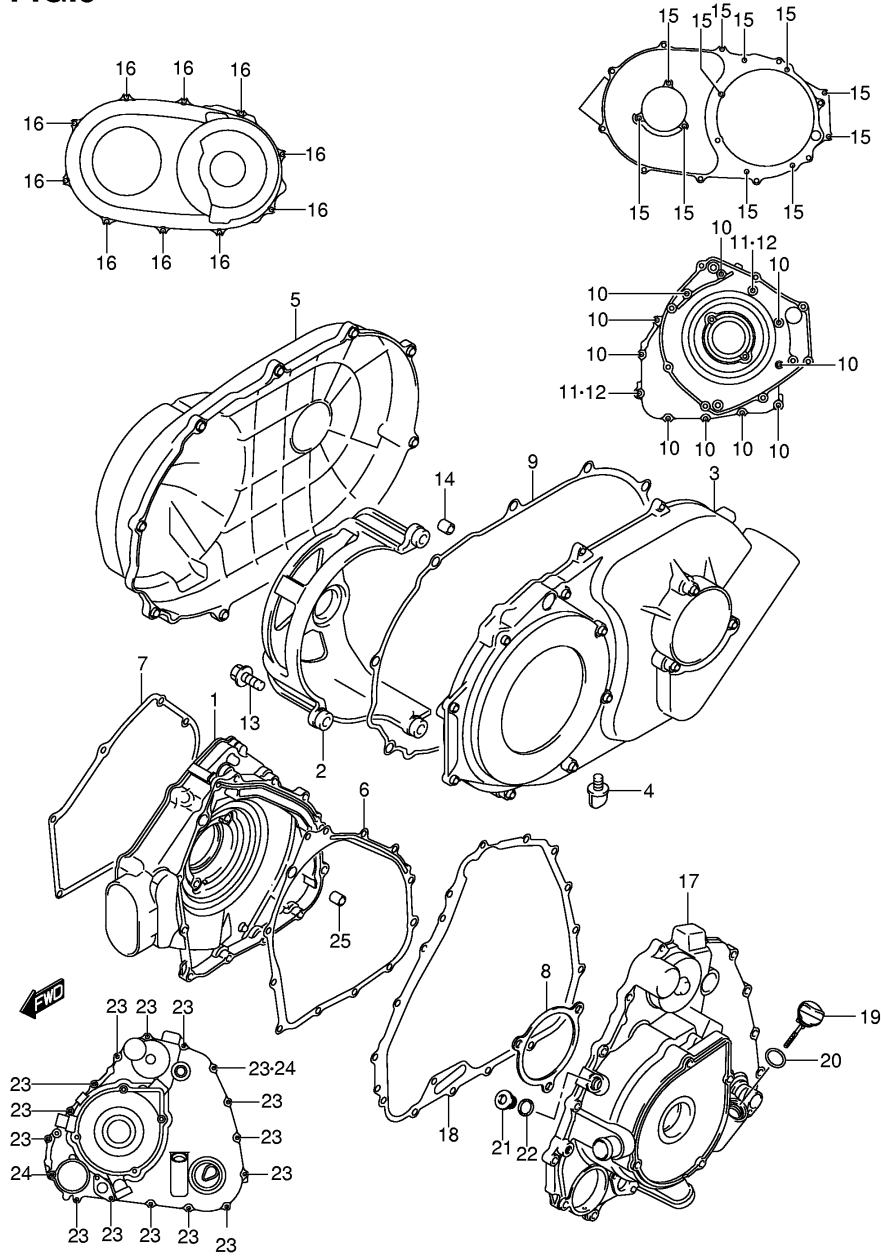


**FIG.6**



Ref No	Part No	Description
1	11341-31G00	Cover, Clutch
2	11342-31G00	Housing, V-belt Bearing
3	11370-31G00	Cover, V-belt Inner
4	11375-31G00	Plug, Water Drain
5	11380-31G00	Cover, V-belt Outer
6	11482-31G00	Gasket, Clutch Cover
7	11484-31G00	Gasket, V-belt Cover Inner Front
8	11485-31G00	Gasket, V-belt Cover Inner Rear
9	11486-31G00	Gasket, V-belt Cover Outer
10	01547-06253	Bolt
11	01547-06353	Bolt
12	04211-11169	Pin
13	01547-06353	Bolt
14	04211-09149	Pin
15	01547-06253	Bolt
16	01547-06253	Bolt
17	11350-31G00	Cover, Magneto
18	11483-31G00	Gasket, Magneto Cover
19	11971-09F50	Gauge, Oil Level
20	09280-17003	O-ring
21	09248-14005	Plug, Tdc Check
22	09168-14014	Gasket
23	01547-06253	Bolt
24	01547-06353	Bolt
25	04211-11169	Pin

LT-A700XK6 P28 P33\_006  
 CRANKCASE COVER

## FOREWORD

This manual contains an introductory description on the SUZUKI LT-A700X and procedures for its inspection/service and overhaul of its main components.

Other information considered as generally known is not included.

Read the GENERAL INFORMATION section to familiarize yourself with the motorcycle and its maintenance. Use this section as well as other sections to use as a guide for proper inspection and service. This manual will help you know the vehicle better so that you can assure your customers of fast and reliable service.

\* This manual has been prepared on the basis of the latest specifications at the time of publication. If modifications have been made since then, differences may exist between the content of this manual and the actual vehicle.

\* Illustrations in this manual are used to show the basic principles of operation and work procedures. They may not represent the actual vehicle exactly in detail.

\* This manual is written for persons who have enough knowledge, skills and tools, including special tools, for servicing SUZUKI vehicles. If you do not have the proper knowledge and tools, ask your authorized SUZUKI motorcycle dealer to help you.

### **▲ WARNING**

Inexperienced mechanics or mechanics without the proper tools and equipment may not be able to properly perform the services described in this manual.

Improper repair may result in injury to the mechanic and may render the vehicle unsafe for the rider.

## SUZUKI MOTOR CORPORATION

© COPYRIGHT SUZUKI MOTOR CORPORATION 2004

## GROUP INDEX

<b>GENERAL INFORMATION</b>	<b>1</b>
<b>PERIODIC MAINTENANCE</b>	<b>2</b>
<b>ENGINE</b>	<b>3</b>
<b>DRIVE TRAIN</b>	<b>4</b>
<b>FI SYSTEM DIAGNOSIS</b>	<b>5</b>
<b>FUEL SYSTEM AND THROTTLE BODY</b>	<b>6</b>
<b>COOLING AND LUBRICATION SYSTEM</b>	<b>7</b>
<b>CHASSIS</b>	<b>8</b>
<b>ELECTRICAL SYSTEM</b>	<b>9</b>
<b>SERVICING INFORMATION</b>	<b>10</b>
<b>WIRING DIAGRAM</b>	<b>11</b>