

FOREWORD

Since the TS185 is basically similar to the TS125 in many parts of the engine and chassis, this Service Manual is limited to the description of difference in construction, handling and service data between the TS185 and the TS125.

Accordingly, when you service the TS185, it is advisable to refer to the TS125 Service Manual in addition to this manual.

It is sincerely hoped that you will find this manual very helpful in your service activity.

SUZUKI MOTOR CO., LTD.

Service Department

Overseas Operations Division



SERVICING AND MAINTENANCE

The following information relates to the services deserving special mention or differing from the practices prescribed for the TS185M:

ENGINE

Carburetor services

1. Throttle valve removal

The throttle valve may have to be removed for servicing; its removal is necessary also when the jet needle has to be repositioned. The removal procedure is as follows:

- Disconnect and remove the two throttle cables, and then dismount the carburetor.
- Loosen two screws securing the carburetor top cover ①, and remove the cover.
- Loosen bolt ② securing the throttle valve arm, and draw out throttle valve shaft. Take out the valve ③.
- To reposition the jet needle ④ in place, remove two screws ⑤. This allows the needle to come off.

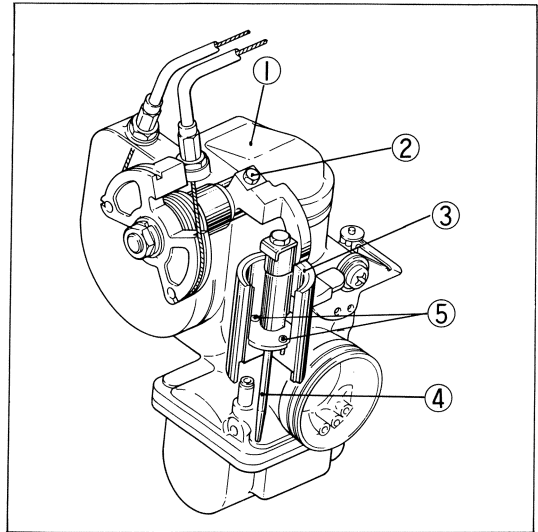


Fig. 11 Throttle valve mechanism

- When installing throttle valve, be sure to assemble the parts correctly by referring to Fig. 12.

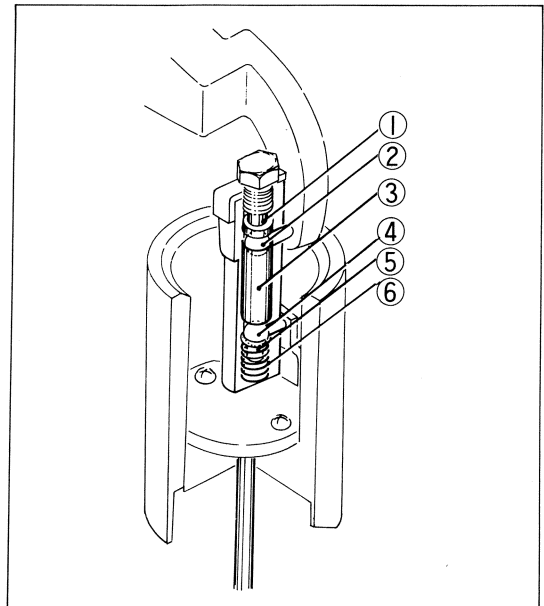


Fig. 12 Throttle valve parts

- ① Pin
- ② Throttle valve arm
- ③ Pin
- ④ Bracket
- ⑤ Pin
- ⑥ Spring

SPECIAL TOOLS NEEDED FOR MODEL TS185A

The same special tools prescribed for the old model — TS185M — are needed for the new model. They are listed here again for your reference. Special tools speed up servicing work, assure good workmanship and prevent damage to the machine. Make sure that you have all of them on hand for ready use.

Ref. No.	Tool No.	Tool Name
1	09910-10710	8 mm stud installing tool (for installing cylinder stud bolts)
2	09910-20115	Piston holder
3	09910-80115	Crankcase separating tool
4	09911-70120	6 mm hexagon L type wrench (for driven Allen-head bolts on front forks)
5	09913-50120	Oil seal remover
6	09913-70122	Bearing & oil seal installing tool (I.D.: 40.5 mm, O.D. : 50.0 mm)
7	09913-80112	Bearing & oil seal installing tool (I.D.: 25.5 mm, O.D.: 34.0 mm)
8	09920-20310	Clutch spring hook
9	09920-53710	Clutch sleeve hub holder
10	09920-06107	Snap ring opener
11	09930-10111	Spark plug wrench
12	09930-30102	Rotor remover shaft
13	09930-30190	Rotor remover attachment
14	09930-40113	Engine sprocket & flywheel holder
15	09940-10122	Steering stem lock nut wrench
16	09940-52810	Front fork oil seal installing tool (I.D.: 30.0 mm, O.D.: 40.5 mm)
17	09940-60113	Spoke nipple wrench
18	09900-06104	Snap ring remover
19	09900-09002	Shock driver set
20	09900-20804	Thickness gauge
21	09900-21602	Oil pump discharge amount measuring tool
22	09900-25002	Pocket tester
23	09900-26003	Engine tachometer
24	09900-28106	Electro tester (type SS-II)
25	09900-28403	Hydrometer