

# GROUP 52A

# INTERIOR

## CONTENTS

<b>GENERAL INFORMATION</b> .....	<b>52A-2</b>	<b>SEAT BELT</b> .....	<b>52A-7</b>
<b>INSTRUMENT PANEL AND FLOOR CONSOLE</b> .....	<b>52A-3</b>	<b>TRIMS</b> .....	<b>52A-9</b>
<b>ACCESSORIES</b> .....	<b>52A-4</b>	<b>INTERIOR TRIMS</b> .....	52A-9
<b>SEAT</b> .....	<b>52A-5</b>	<b>DOOR TRIM</b> .....	52A-10
FRONT SEAT .....	52A-5		
REAR SEAT .....	52A-6		

---

## GENERAL INFORMATION

M2520000100247

### FEATURES

#### Improvements in quality

1. Fully trim-covered interior
2. Formed type door trims with cloth inserts

#### Comfort

Are adjustable seat belt anchor is used for to the front seat belts.

#### Safety

1. Installation of ELR 3-point seat belt (Driver's seat)
2. Installation of ALR/ELR 3-point seat belt (Passenger's seat, Rear seat)
3. A seat belt with the force limiter mechanism has been installed as the front seat belt.
4. Upper tether anchor
5. ISO-FIX child seat fixing bar
6. Head impact reduction pillar trim

7. Folding assist grip

8. Nonflammable materials are used for instrumental panel, floor console, and trims.

#### Usability

1. Vanity mirror with lid
2. Ticket holder (Driver's side)

#### Convenient storage

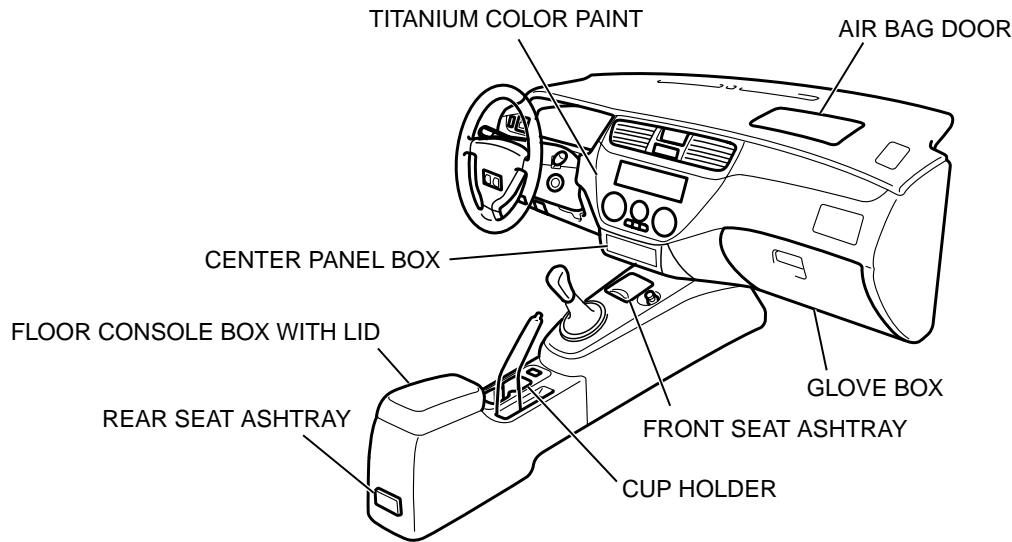
1. Glove box
2. Center panel box
3. Cup holder
4. Floor console box with lid
5. Sun glasses pocket
6. Door pockets

#### Resource recycling

Display of material codes to resin parts

## INSTRUMENT PANEL AND FLOOR CONSOLE

M2520001000124



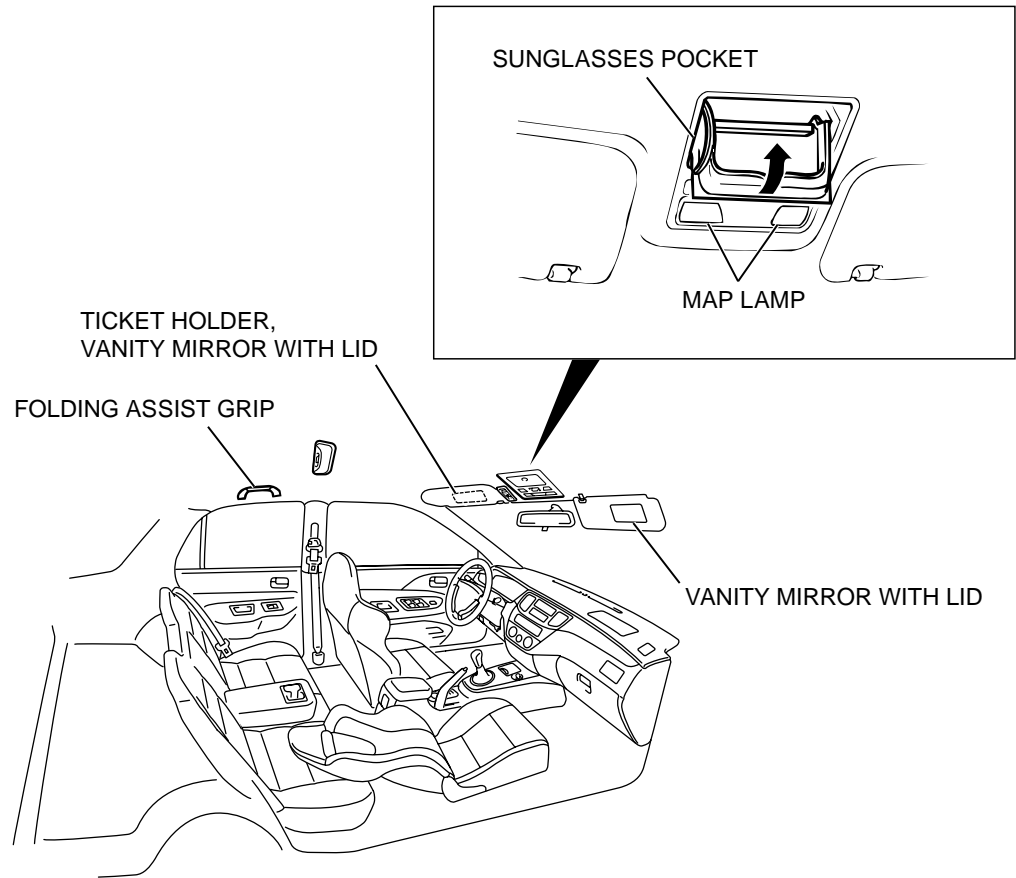
AC210431AB

The instrument panel and the floor console have the following features.

- The center panel in the instrument panel has a new design.
- Tilted center panel.
- The center panel uses titanium color paint.
- Center panel box convenient for storing accessories.
- A pad incorporating the front passenger's air bag door has improved appearance.
- A cup holder has been installed to the rear floor console.
- Ashtrays are in the front and the rear console.
- Nonflammable materials are used for the instrument panel and the floor console. Also, material codes are indicated.

## ACCESSORIES

M2520002000105



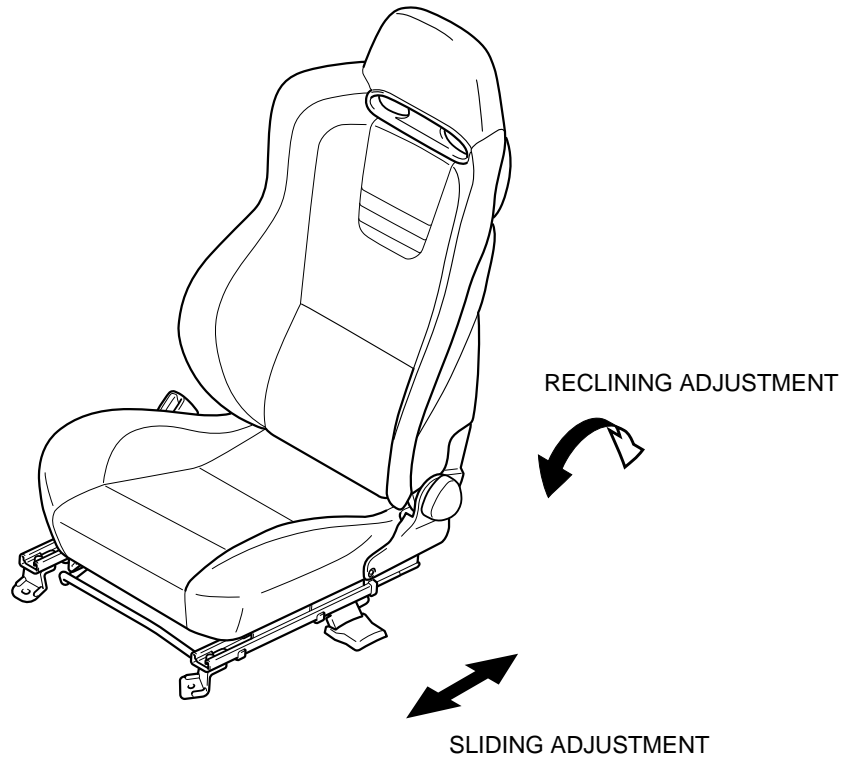
AC211396AB

- A push-opening sunglasses pocket (incorporating a map lamp) has been installed to improve convenience <Vehicles without sunroof>.
- Vanity mirrors with lid are on driver's and front passenger's side.
- A ticket holder is on the driver's side.
- A folding assist grip has been installed to improve safety.

# SEAT

## FRONT SEAT

M2520004000134



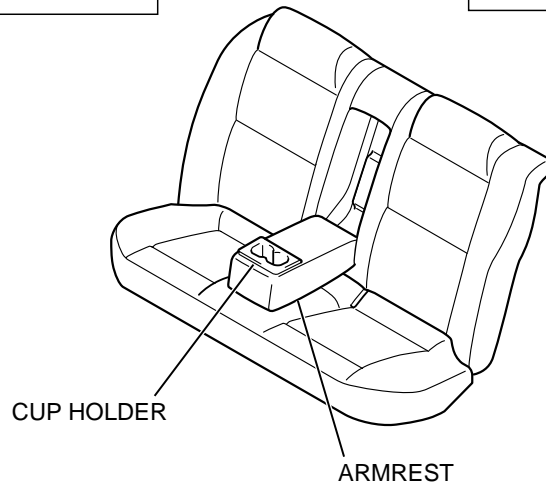
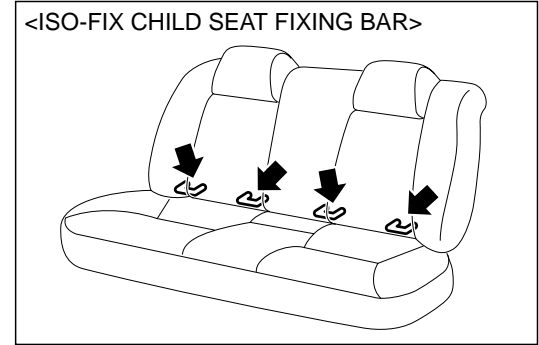
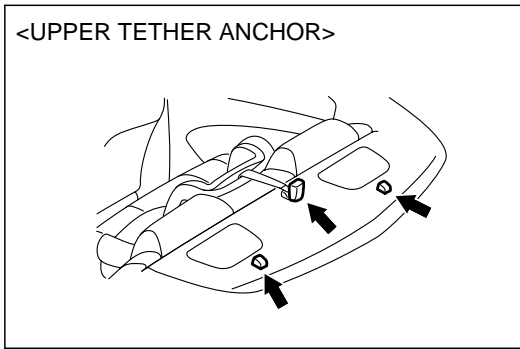
AC210102AB

High-back sport type RECARO seat is used for the front seat. The front seats offer the following advantages:

- The fabric for the main cushion section uses an embossed knit in a sporty mesh design. The side sections are finished in a suede type material.
- Adjustments for both reclining and sliding are step-free to allow occupants to adjust the seats to achieve the best posture for driving.

## REAR SEAT

M2520007000111



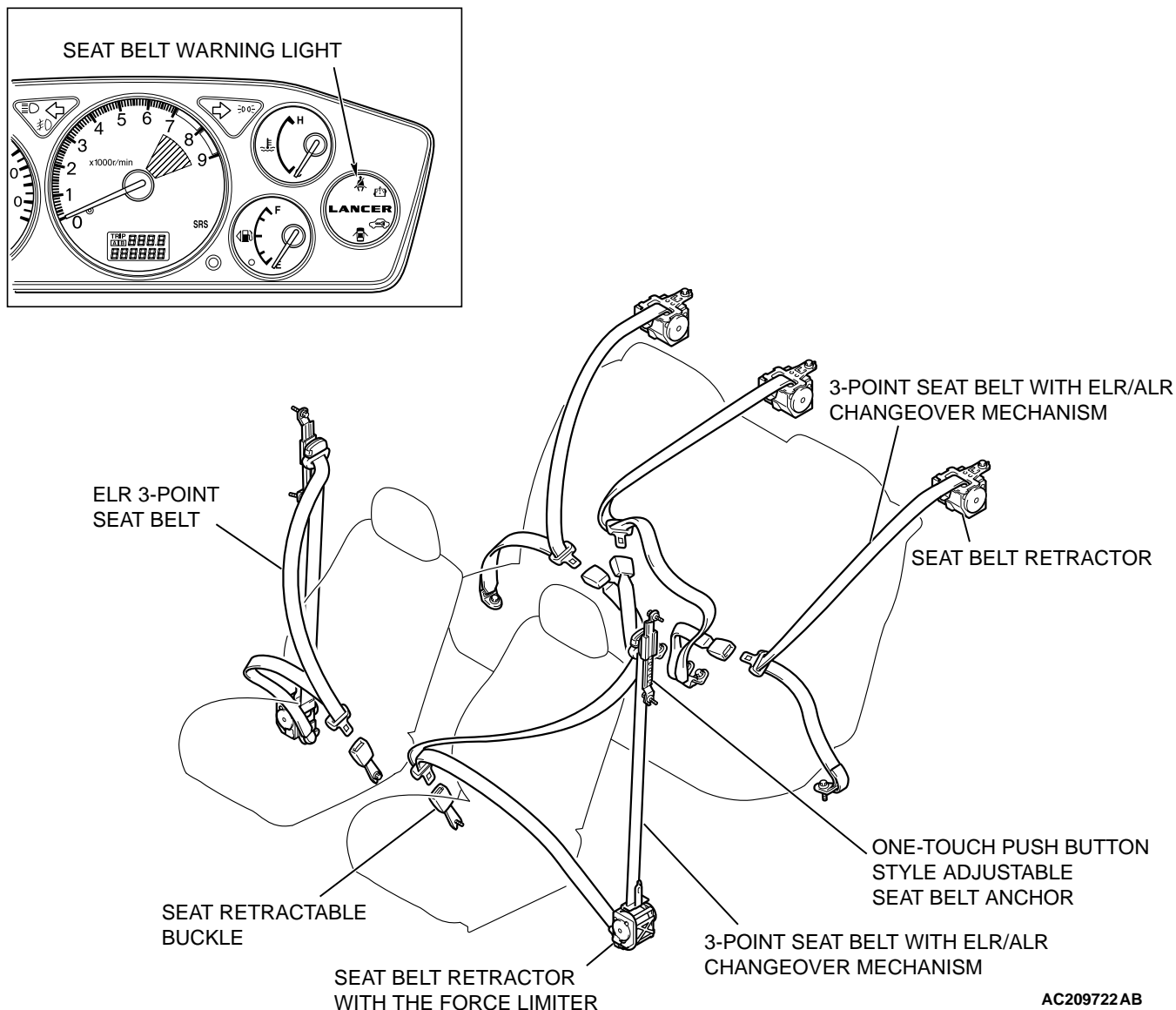
AC209729AB

A high-back bench seat is used for rear seat. The rear seat offer the following advantages:

- The center armrest has a cup holder.
- An upper tether anchor has been installed on the rear shelf trim, and an ISO-FIX child seat fixing bar has been installed on the body side.

# SEAT BELT

M2520010000111



AC209722AB

## FRONT SEAT BELT

- An ELR three-point seat belt (driver's side) and three-point seat belt with ELR/ALR changeover mechanism (passenger's side) is used.
- One-touch push button style adjustable seat belt anchor and retractable buckle provide the most suitable belt fitting.
- The seat belt retractor with the force limiter for the driver's seat and the front passenger's seat increase safety.
- A seat belt warning light is installed to the driver's seat.

## REAR SEAT BELT

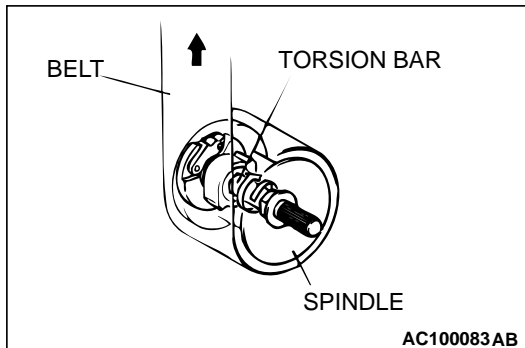
- 3-point seat belt with Automatic Locking Retractor (ALR)/ELR changeover mechanism (LH/RH/Center) is used for the rear seat.

**SEAT BELT RETRACTOR WITH FORCE LIMITER**

The driver's/front passenger's seat belt retractor has been equipped with a force limiter. The force limiter is a device which operates when a predetermined force is applied, and limits the force.

**OPERATION**

1. If a collision energy is transmitted to the seat belt, the ELR mechanism will operate to lock the seat belt.
2. If the energy increases to a predetermined value, the torsion bar will be distorted. As the spindle rotates together with the torsion bar, the seat belt webbing is pulled out, reducing the impact to the occupants.

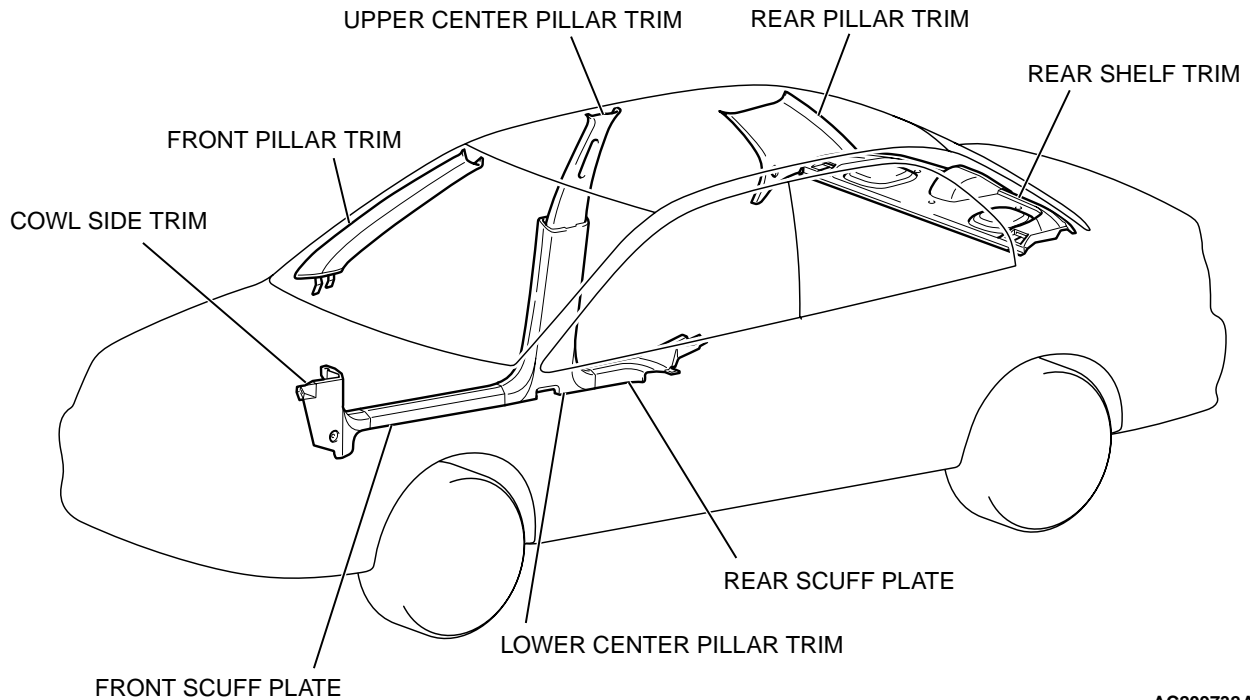
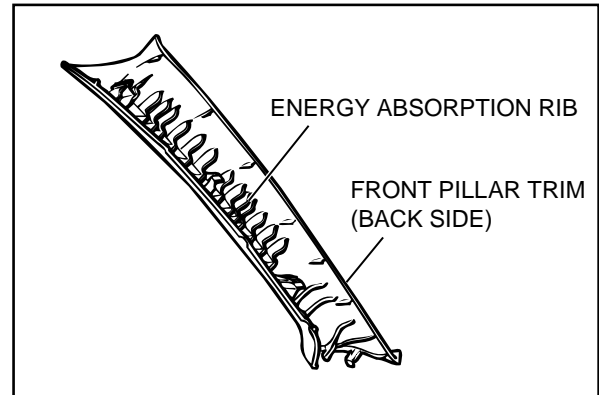
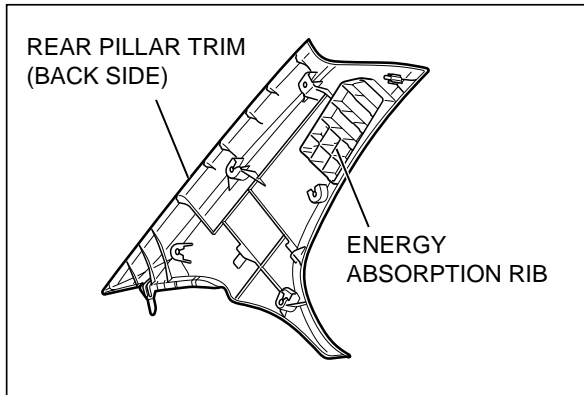




TRIMS

INTERIOR TRIMS

M2520012000098



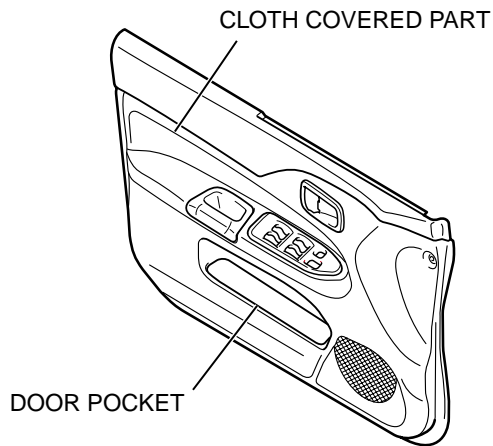
AC209732AB

- The interiors are fully covered by trims.
- The energy absorption rib molding located in the back side of the front pillar trim and the rear pillar trim protect head from side impacts and the resin materials for the trims are unbreakable materials.
- Nonflammable materials are used for the trims. Also, material codes are indicated, for recycling.

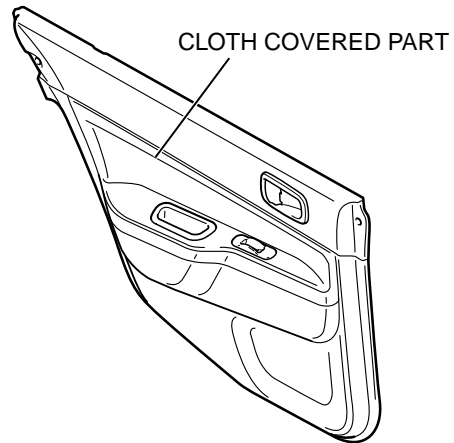
## DOOR TRIM

M2520012300077

&lt;FRONT DOOR TRIM&gt;



&lt;REAR DOOR TRIM&gt;



AC210219AB

- A hard resin material is used for door trim to protect passengers in the event of a side collision and improve safety.
- Cloth covers part of door trim.
- A large door pocket is used for the front door trim.