

Table - 1




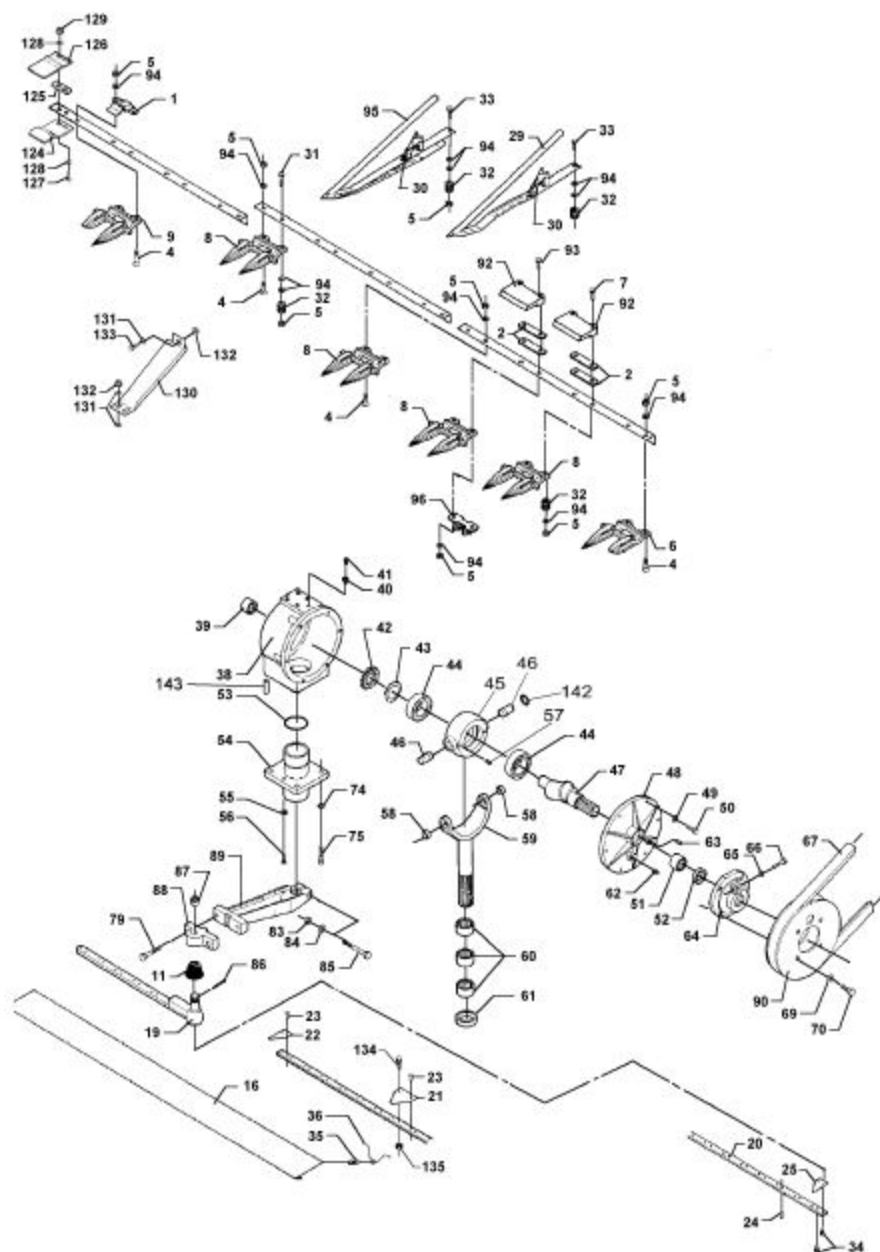
  	10 01: TABLE TRAILER - DOUBLE AXLE/ BRAKES		FIG. NO.
34 23 01	2,00	WHEEL AXLE, TABLE TRAILER	10 01 012
34 23 15	0,25	STRUT FOR AXLE	10 01 013
34 23 16	0,50	RING HITCH	10 01 014
34 23 17	0,50	BRAKE TENSION ROD	10 01 015
34 23 18	0,25	JOCKEY WHEEL	10 01 018
34 23 19	1,50	BRAKE CABLE	10 01 020
34 23 20	2,00	BOGIE	10 01 023
34 23 06	1,00	WHEEL BEARING, TABLE TRAILER	10 01 024
34 23 11	1,00	WHEEL HUB, TABLE TRAILER	10 01 024
34 23 21	1,50	WHEEL BRAKE, REPAIR KIT	10 01 024
16 02 01	1,00	RIM	10 01 026
16 03 01	1,00	TYRE/TUBE	10 01 027
34 23 22	0,50	ATTACHMENT FOR SUPPORT BRACKET	10 01 031
34 23 08	0,50	SUPPORT BRACKET, TABLE TRAILER, RH	10 01 040
34 23 23	0,75	SUPPORT BRACKET ARM	10 01 043
34 23 10	0,50	TAIL LIGHT	10 01 052
34 23 24	0,50	ADJUSTMENT ARM FOR BRACKET	10 01 055
34 23 25	1,00	LAMP BRACKET	10 01 068
34 23 09	0,50	SUPPORT BRACKET, TABLE TRAILER, LH	10 01 069
34 23 25	1,00	LAMP BRACKET	10 01 070

Table - 1



9195 / 9196 / DKHE / DKHET ROTARY HEADER
DRIVES

Item



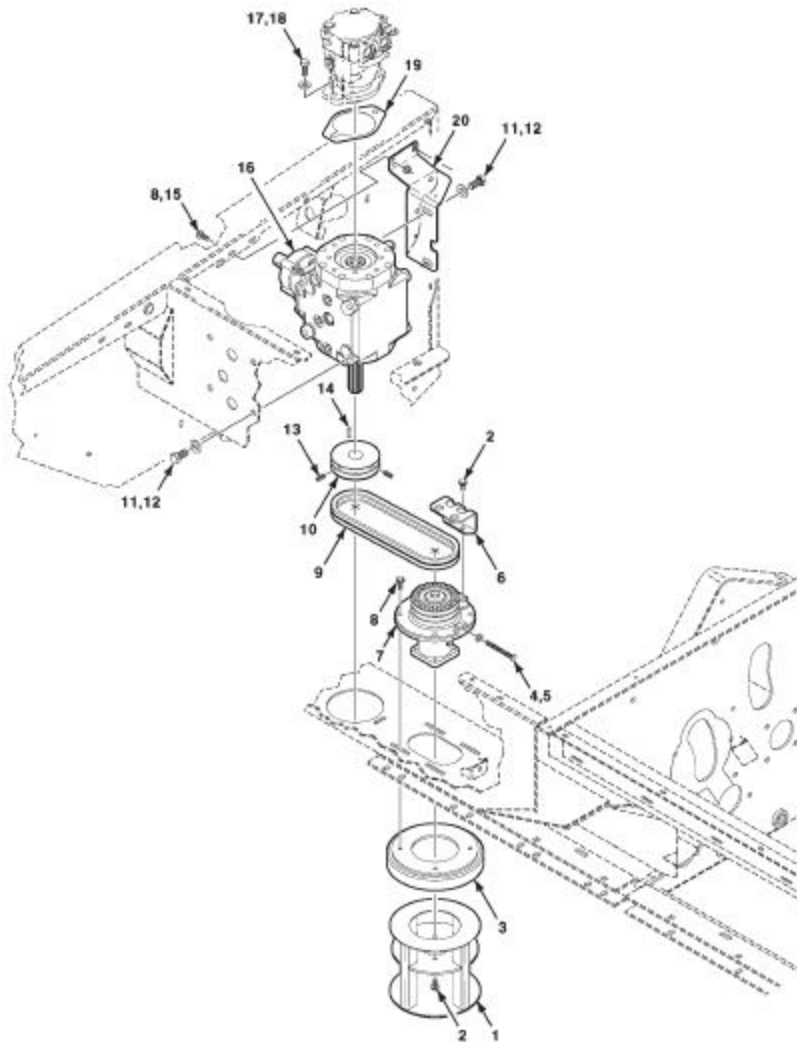
Description

7

HEADER DRIVE-RIGHT (9196)

1	DR 70 05	0.2	CAGE WA
3	DR 70 06	0.3	GRASS RING-WA
6	DR 70 07	0.1	SUPPORT-SENSOR
7	DR 60 06	0.5	SPINDLE ASSEMBLY (REPLACEMENT)
9	DR 50 05	0.4	BELT-V, MATCHED SET OF 2
10	DR 50 06	0.5	SHEAVE-DOUBLE GROOVE
16	DR 60 07	1.5	GEARBOX ASSEMBLY (REPLACEMENT)
19	DR 60 08	0.3	GASKET
20	DR 70 08	0.2	SUPPORT-PIVOT, RIGHT

700172076-2





MF425X; MF435X; MF440X; MF445X;
MF455X; MF460X; MF470X; MF480X

Item

Group

Fault Code

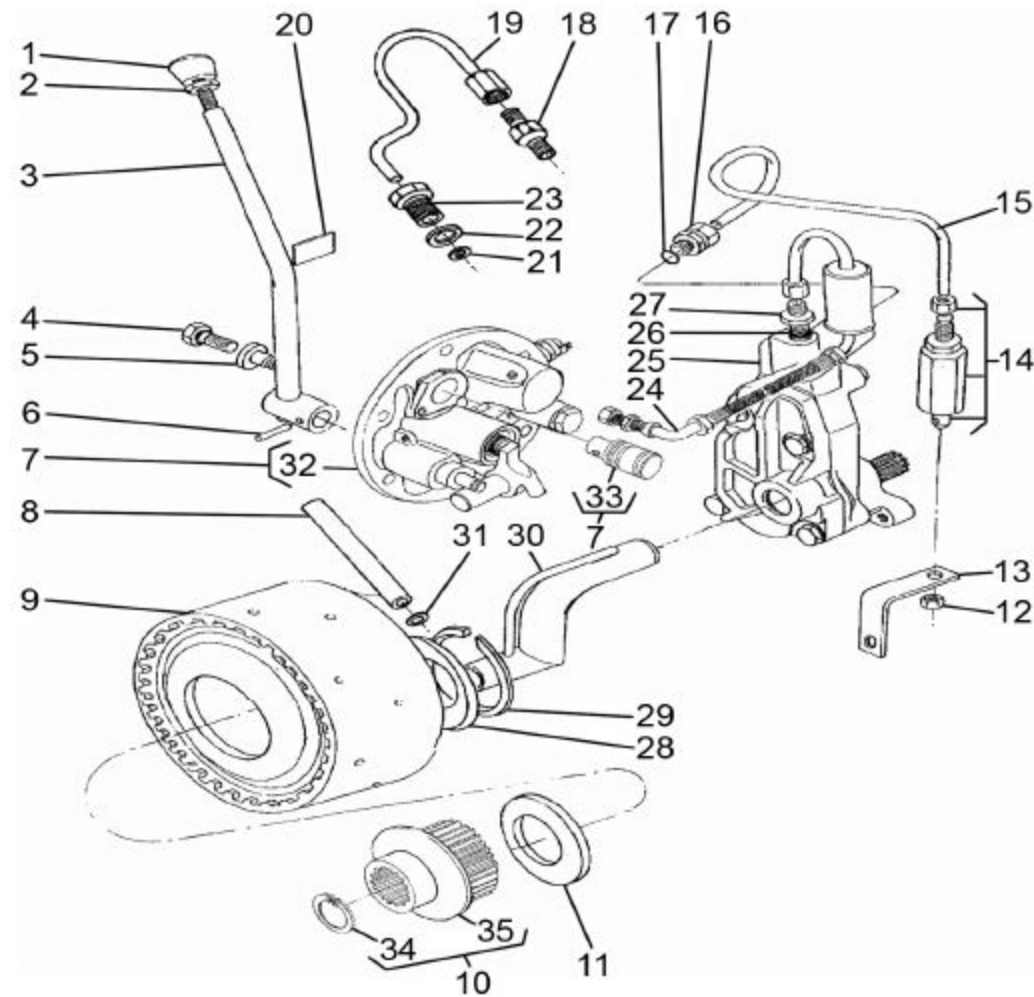


Description

IPTO

1	18A	220122	0,25	LEVER KNOB
3	18A	220121	0,50	PTO LEVER
7	18B	290410	1,00	IPTO COMPLETE COVER
8	18B	290408	8,00	IPTO TUBE
9	18B	290450	8,00	KIT, COMPLETE IPTO
10	18B	290415	8,00	IPTO AXLE
14	18B	290409	4,00	IPTO VALVE
15	18B	220124	4,00	TUBE PTO PUMP
19	18A	220123	0,50	TUBE IPTO COVER
24	18B	290460	5,00	FILTER IPTO PUMP
25	18B	290431	8,00	IPTO PUMP
30	18C	220120	8,00	TUBE OIL FEED
35	18B	290415	8,00	IPTO AXLE

TO ADD 3,00 HOURS TO TRACTOR WITH CAB



POWER TAKE OFF

50 - 10

GC2400/GC2410/GC2600/GC2610TRACTORS
ELECTRICAL

Item



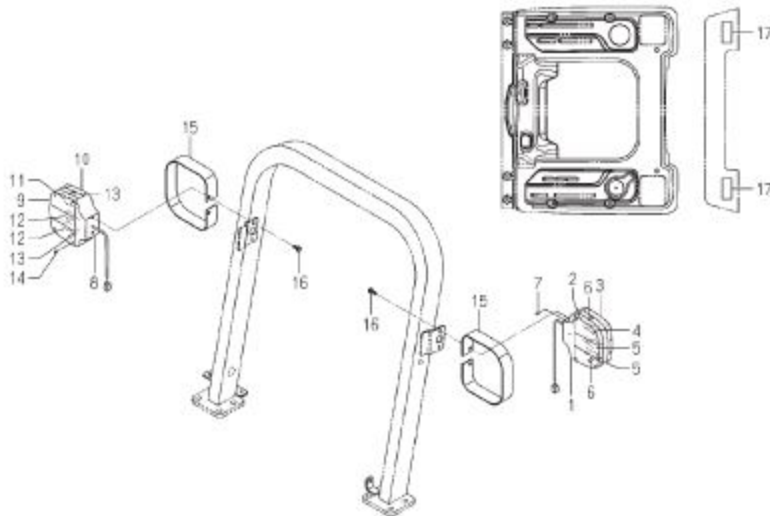
Description

107

COMBINATION LIGHTS

1	14 02 18	0.5	LAMP ASSY, COMBINATION, LH (INCL 2-7)
2	14 18 90	0.2	LENS, FRONT, LH
3	14 18 90	0.2	LENS, REAR, LH
4	14 16 78	0.4	BULB, 12V 21/5W
5	14 16 78	0.4	BULB, 12V 21W
8	14 02 18	0.5	LAMP ASSY, COMBINATION, RH (INCL 9-14)
9	14 18 90	0.2	LENS, FRONT, RH
10	14 18 90	0.2	LENS, REAR, RH
11	14 16 78	0.4	BULB, 12V 21/5W
12	14 16 78	0.4	BULB, 12V 21W

MFC9303



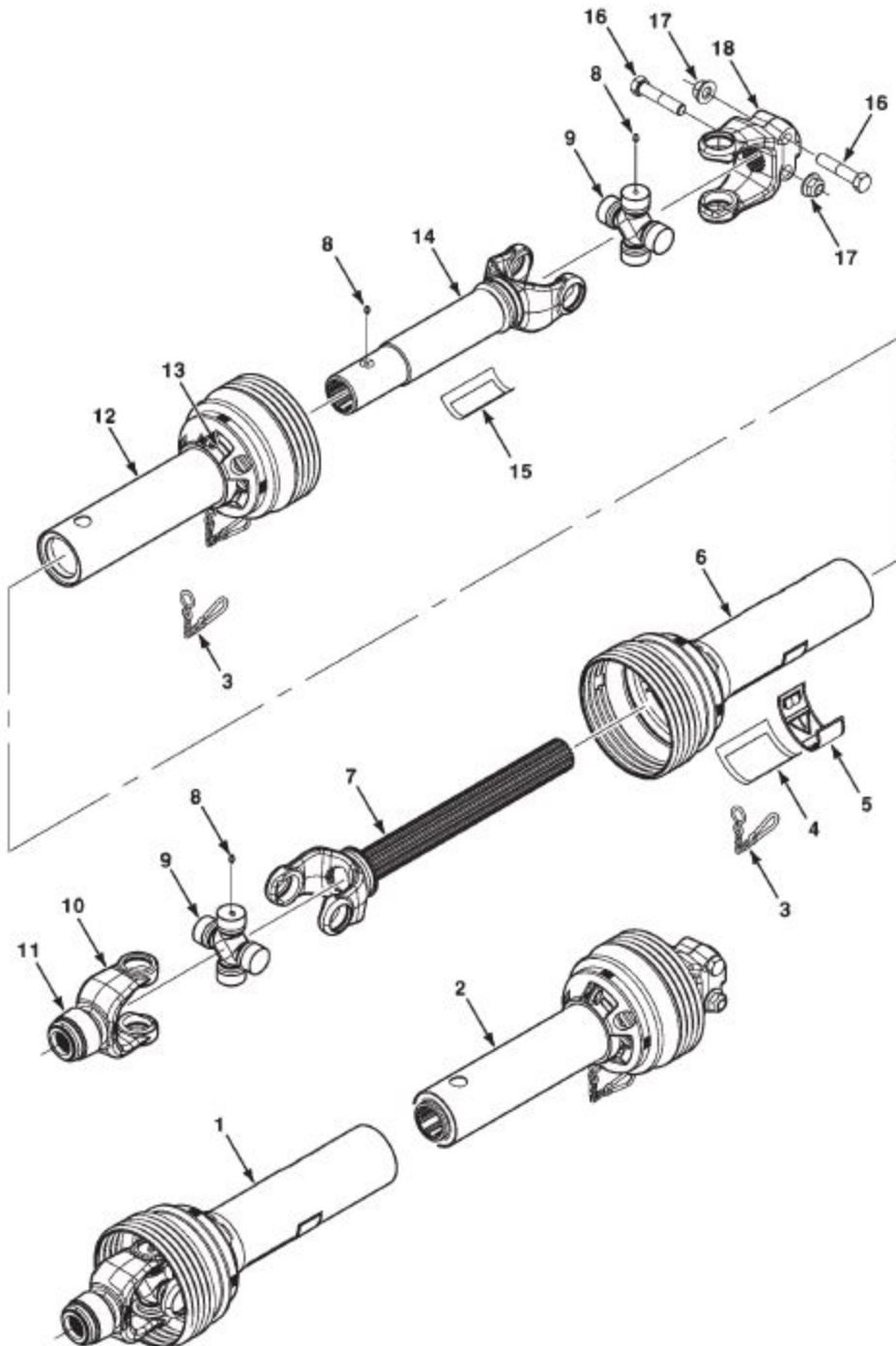
MFC9303

Failure Code Index - 2

<i>CODE</i>	<i>DESCRIPTION</i>	<i>TIME</i>	<i>SEC- TION/FIG</i>
40 01 51	REAR POWERFLOW ROLLER, LH	2,50	10 19 024
40 01 52	POWERFLOW GUIDE RAIL, EACH ADDITIONAL	0,50	10 19 044
40 01 53	BALL BEARING, REAR POWERFLOW ROLLER, EACH ADDITIONAL	0,50	10 19 047
40 01 54	BEARING, REAR POWERFLOW ROLLER, EACH ADDITIONAL	0,50	10 19 048
40 01 55	BALL BEARING, FRONT POWERFLOW ROLLER, EACH ADDITIONAL	0,50	10 20 002
40 01 56	BEARING, FRONT POWERFLOW ROLLER, EACH ADDITIONAL	0,50	10 20 003
40 01 57	FRONT POWERFLOW ROLLER, EACH ADDITIONAL	0,50	10 20 004
40 01 58	BELT, TRANSMISSION SHAFT/KNIFE DRIVE	0,50	10 03 067
40 01 58	BELT, TRANSMISSION SHAFT/KNIFE DRIVE	0,50	10 08 —
40 01 59	CHAIN, TABLE AUGER/BELT ROLLERS	0,50	10 14 044
40 01 61	ONE KNIFE CONNECTOR BAR	0,75	10 08 004
40 01 62	KNIFE CONNECTOR BAR, EACH ADDITIONAL	0,25	10 08 004
40 01 63	CONNECTING ROD, POTENTIOMETER	0,50	10 11 011
40 01 64	ARM, POTENTIOMETER	1,00	10 11 015
40 01 65	GROUND SENSOR	1,00	10 11 018
40 01 66	CUT-OFF STRIP	0,50	10 22 010
40 01 67	BRACKET, MIDDLE BEARING	0,75	10 22 019
40 01 68	MIDDLE BEARING	0,75	10 22 020
40 02 00	WOBBLE BOX ASSEMBLY	1,50	10 03 038
40 02 00	WOBBLE BOX ASSEMBLY	1,50	10 08 023
40 02 01	WOBBLE BOX, OVERHAUL	3,00	10 03 038
40 02 01	WOBBLE BOX, OVERHAUL	3,00	10 08 023
40 02 02	KNIFE DRIVE ARM	0,50	10 03 089
41 01 60	CHAIN, INTERMEDIATE SHAFT/TABLE AUGER	0,50	10 14 050

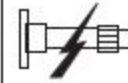
**2200 SERIES LARGE RECTANGULAR BALER
DRIVE SYSTEM**

PRIMARY DRIVE SHAFT
(XD MODEL SHOWN)



700 736 733-0

Item



Description

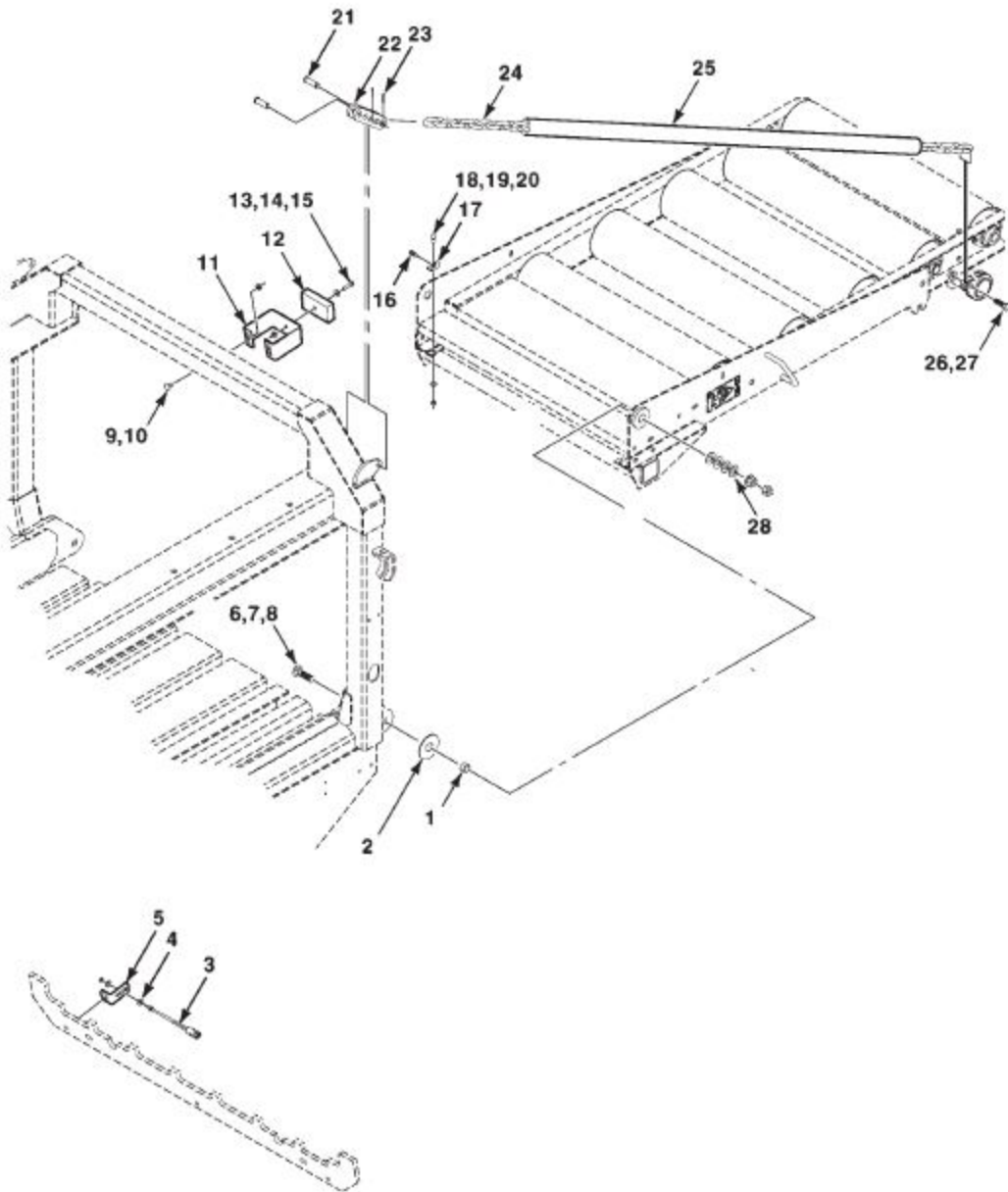
11

1	DR 10 29	0.5	PTO HALF SHAFT
2	DR 10 30	0.5	PTO HALF SHAFT
3	DR 70 25	0.5	CHAIN KIT
4	SH 30 29	0.3	DANGER DECAL
5	SH 30 85	0.3	WARNING DECAL, CE
6	DR 10 12	0.5	DRIVE SHAFT SAFETY GUARD
7	DR 10 25	1.2	SHAFT
9	DR 10 11	1.2	CROSS AND BEARING KIT
10	DR 10 24	1.0	YOKE
11	DR 10 07	0.5	REPAIR KIT
12	DR 10 13	0.5	DRIVE SHAFT SAFETY GUARD
13	DR 10 09	0.5	GUARD BUSHING KIT
14	DR 10 26	1.2	YOKE
15	SH 30 32	0.3	DANGER DECAL, SHIELD MISSING
18	DR 10 28	1.2	YOKE

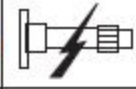
736733-0

**2200 SERIES LARGE RECTANGULAR BALER
ACCESSORIES**

ROLLER BALE CHUTE



Item



Description

215

3	EL 50 11	0.5	SWITCH
5	TG 10 14	0.5	SWITCH ANGLE SUPPORT
11	TG 10 13	0.5	PAD SUPPORT
12	TG 10 20	0.5	PAD
16	EL 50 25	0.5	ACTUATOR
22	TG 10 18	0.5	CHAIN CLEVIS
24	TG 10 25	0.5	LINK CHAIN
25	TG 10 24	0.5	PROTECTIVE SLEEVE

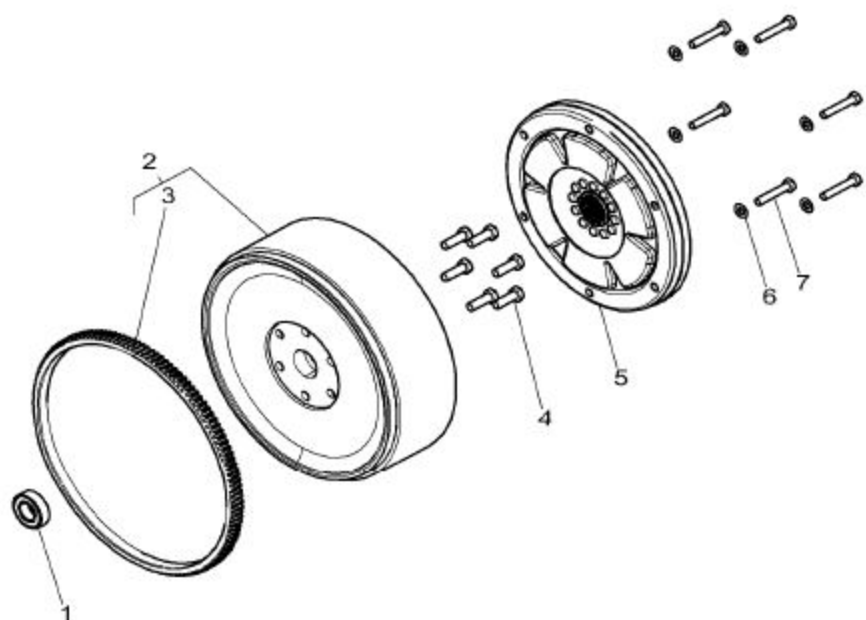
960977-2



5600

Flywheel & Flywheel Housing

1-WA07-050-A



5611	5612	5613		code		Additional time	Description
.	.	.	1	010.1014	25,00	a ,b ,c	Bear. 6205 2RS
.	.	.	2	010.1014	25,50	a ,b ,c	Flywheel
.	.	.	3	010.1014	11,00	a ,b ,c	Starter Ring
.	.	.	4	010.1014	15,00	a ,b ,c	Hex Head Bolt
.	.	.	5	010.1014	14,50	a ,b ,c	Damper
.	.	.	6				Flat Washer
.	.	.	7	020.2006	14,50	a ,b ,c	Hex Cap Screw
			a		3,00		Addition for front loader
			b		1,00		Addition for front linkage with coupler
			c		2,00		Addition for midmounted

1-WA07-050-A

MF 5611=>5613 - Issue 1

Flywheel & Flywheel Housing

