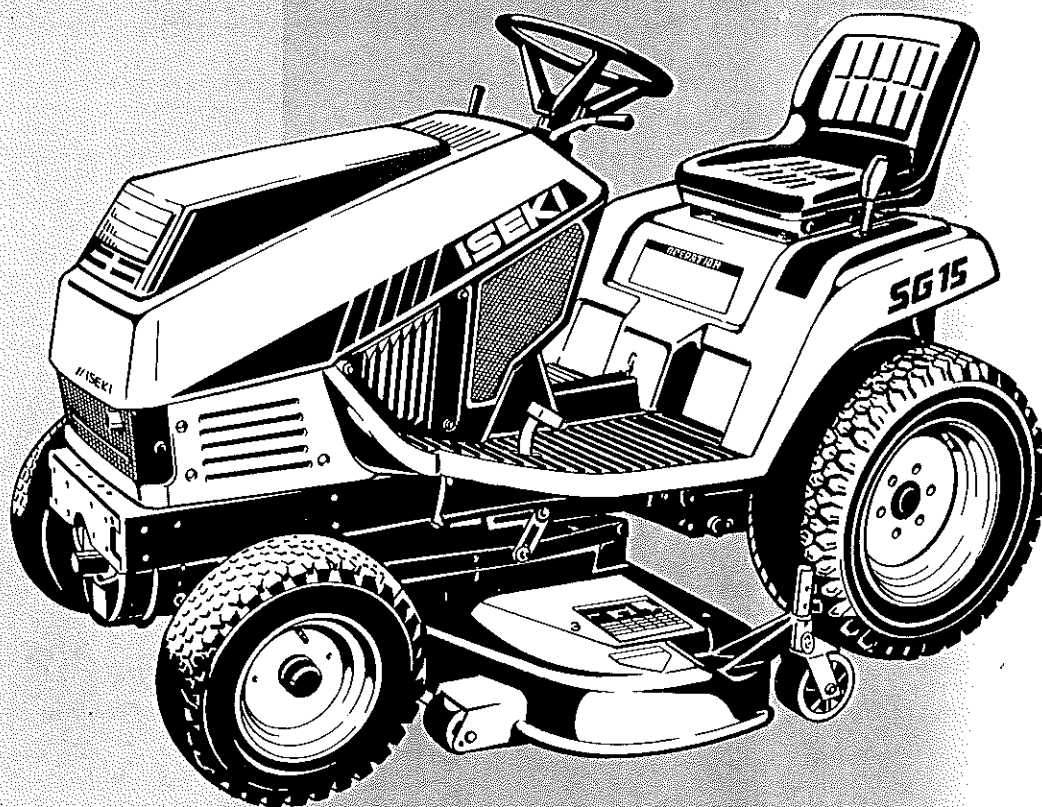


I S E K I T U R F R I D E R



O p e r a t i o n M a n u a l

● TURF RIDER

SG15

● MOWER

SSM48

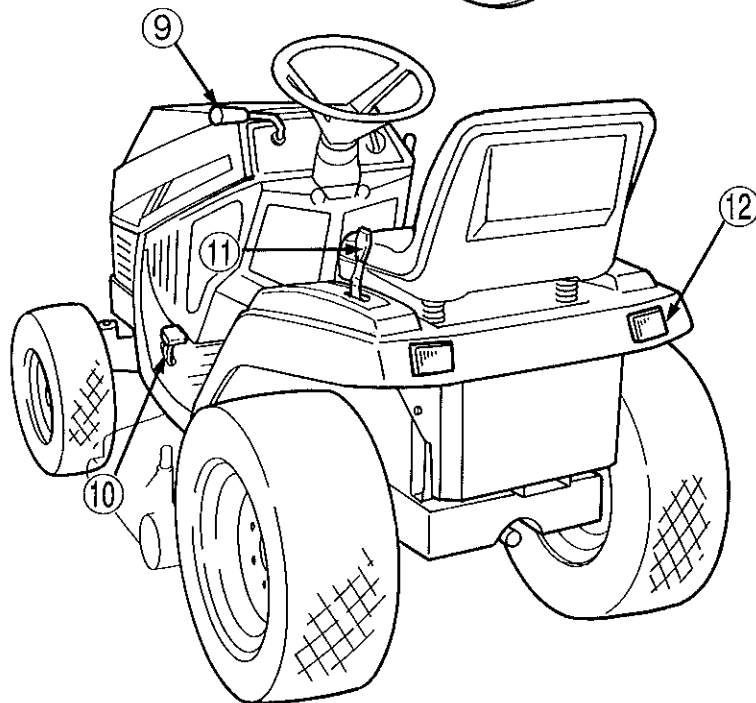
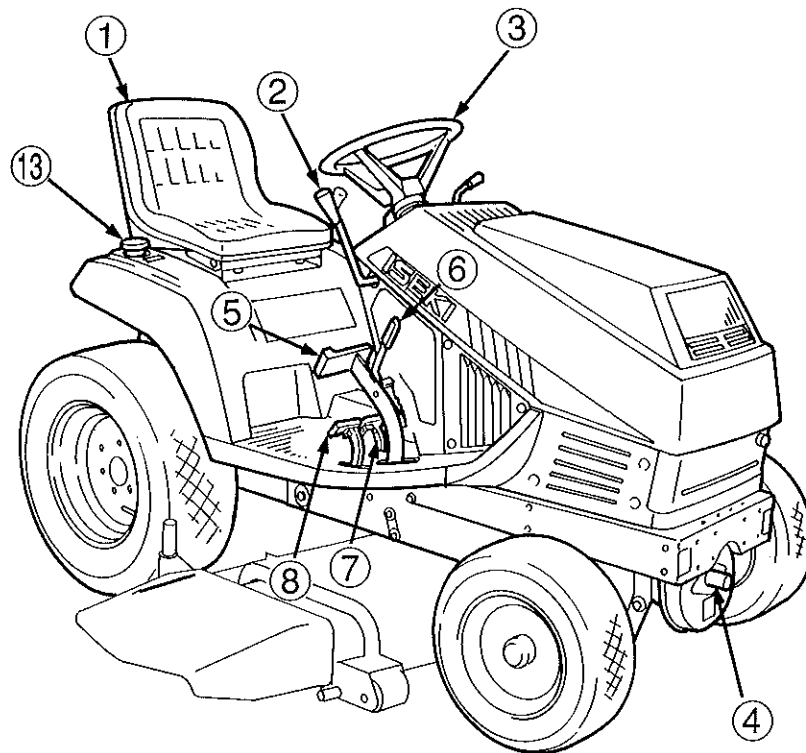
ISEKI & CO., LTD.

DIESEL TURF RIDER model SG15

CONTENTS

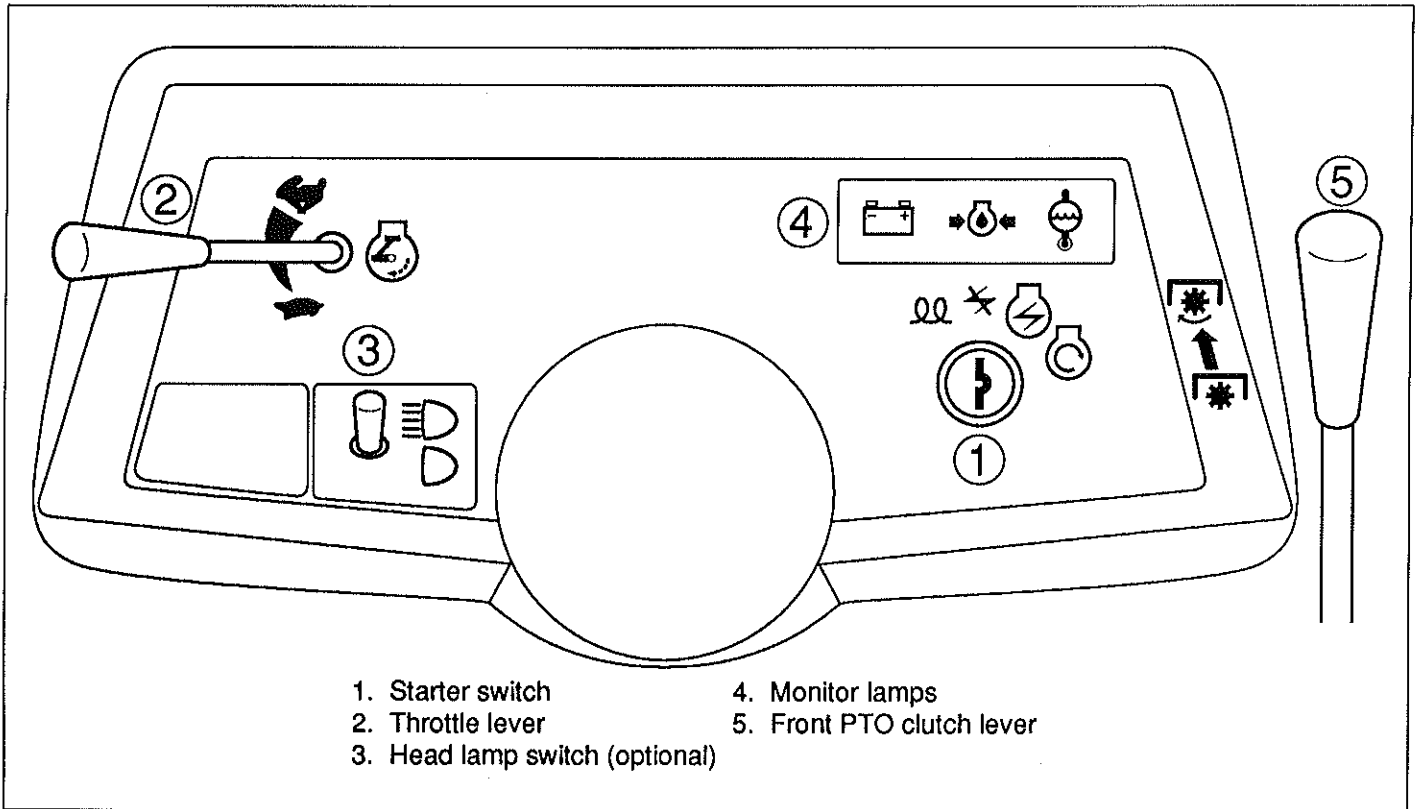
FOR SAFETY OPERATION	7
NAMES OF MAJOR COMPONENTS	8
CONTROLS AND SWITCHES	9
HOW TO OPERATE	11
Starting	11
Stopping the engine	12
Rider operation	12
PRE-OPERATION INSPECTION	15
INSPECTION AND ADJUSTMENT OF EACH PART	20
Inspection after every 50 hours of operation	20
Inspection after every 100 hours of operation	22
Inspection after every 200 hours of operation	23
Inspection after every 300 hours of operation	23
Inspection after every 400 hours of operation	24
Inspection of the fuses and wiring	24
Filling diagram	26
Periodical inspection table	27
List of fasteners to be secured before starting operation	28
WIRING DIAGRAM.....	29
TROUBLESHOOTING	30

NAMES OF MAJOR COMPONENTS



- | | |
|---------------------------|--------------------------|
| 1. Seat | 8. HST pedal (reverse) |
| 2. Front PTO clutch lever | 9. Throttle lever |
| 3. Steering wheel | 10. Cruise control pedal |
| 4. Front PTO | 11. Lift lever |
| 5. Brake pedal | 12. Reflector |
| 6. Parking brake lever | 13. Fuel tank |
| 7. HST pedal (forward) | |

CONTROLS AND SWITCHES



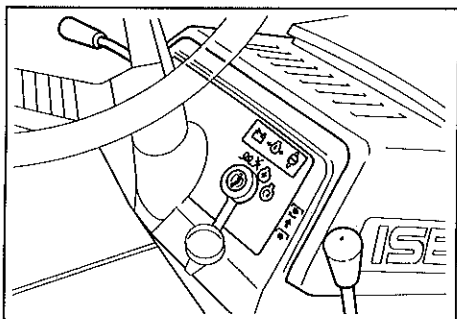
1. Starter switch
2. Throttle lever
3. Head lamp switch (optional)
4. Monitor lamps
5. Front PTO clutch lever

☐ Starter switch



Caution:

Be sure to remove the key when the rider is not in use. If not, other persons, even a child could start the engine, which is very hazardous.



A preheater is provided, so be sure to preheat the engine before starting it. Other positions are explained as follows:



Preheating position



OFF position: the engine stops and all electric equipment is switched off.



ON position: the key should stay in this position during operation after the engine is started. All electric equipment is activated.

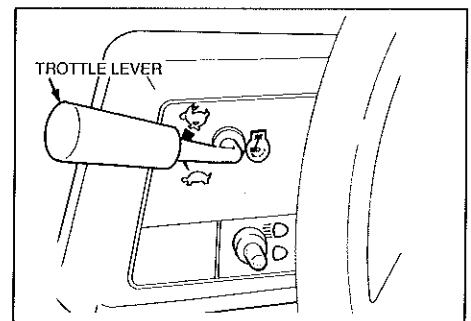


START position: the starter cranks the engine.

Important:

- Longer than 20-second preheating may damage the glow plugs. If the engine has failed to start, wait at least 20 seconds before the next try.
- Release the key as soon as the engine has started.

☐ Throttle lever



Engine speeds can be controlled with this lever.

Pull the lever towards the marking “,” and the engine is decelerated.

Push the lever towards the marking “,” and the engine is accelerated.

