

NEWTON

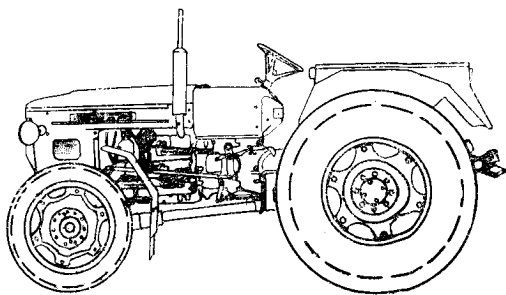
4712 • 4718

5711 • 5718 • 5745 • 5748

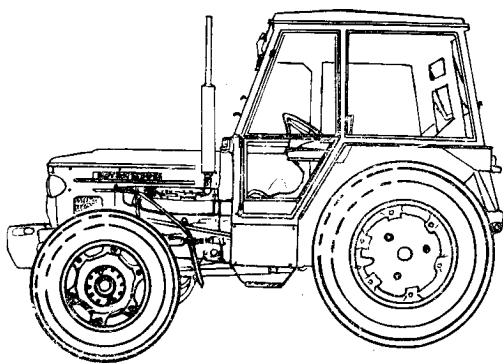
6711 • 6718 • 6745 • 6748

**OPERATOR'S
MANUAL**

2/76



ZETOR 6745



ZETOR 6748

CONTENTS

Specifications of Z 4712—4718	8
Specifications of Z 5711—5748	12
Specifications of Z 6711—6748	17
Something about the tractor	23
Pedals and levers	25
Hydraulic circuit control levers	29
Filling and draining orifices	31
Bleeding of the fuel system	34
Driver's seat	36
Electrical equipment and accessories	36
How to prepare the tractor for travelling	38
How to drive the tractor	40
Hydraulic system of the tractor	43
Brakes	44
Front axle	44
Rear wheels	47
Tyre inflating	48
Tyre water filling	49
Special accessories	50
Front driven axle	51
Maintenance and adjustment	63
Maintenance instructions	69
Troubles and their remedies	75

SOMETHING ABOUT THE TRACTOR

Dash board (Fig. 1, 2)

1. Switch box with key

Key fully inserted

position 0 — starting circuit, charging circuit and its pilot lamp are switched on

position 1 — contour (side) and parking lights as well as tail lights and illumination of instruments are on

position 2 — high beam, high beam pilot lamp, tail lights, illumination of instruments and side lights are on

position 3 — dipped lights, tail lights, illumination of instruments and side lights are on

If the key only half inserted, circuits of position 1, 2 or 3 can be switched on.

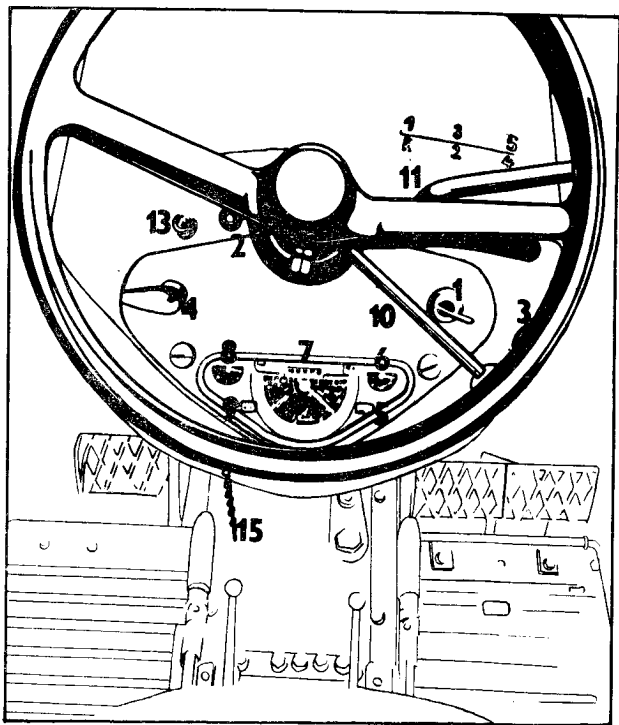


Fig. 1

6. PTO revolutions control lever (Fig. 4/6)
(on Z 5711—Z 5748 and Z 6711—Z 6748 tractors only).
control lever displaced forwards/in the sense of the tractor travel — neutral position;
control lever displaced to the left — 540 RPM of the PTO
control lever displaced to the right — 1000 RPM of the PTO.

IMPORTANT

When changing PTO exchangeable end pieces (Fig. 5/11) from 540 RPM (1000 RPM) to 1000 RPM (540 RPM) and vice versa it is necessary to put the PTO revolutions control lever in its neutral position and only then change the PTO end part. This operation being carried out, 1000 RPM (540 RPM) can be engaged again.

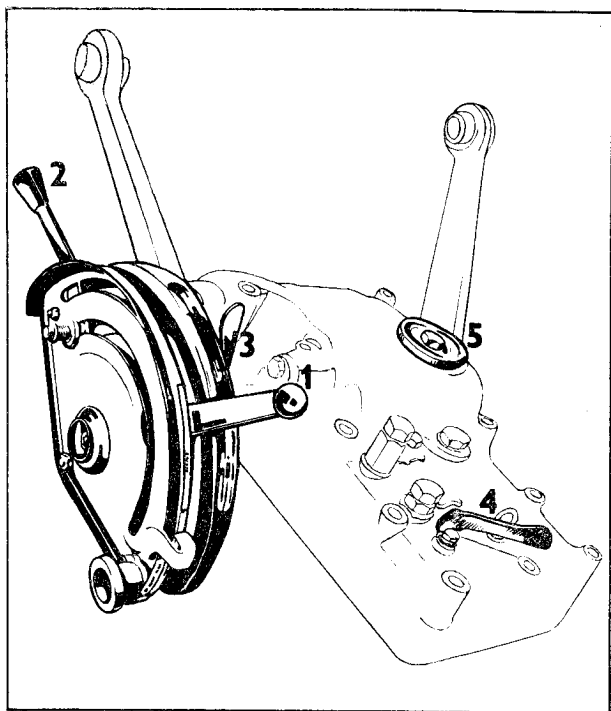


Fig. 6