

Spare parts catalog
CRAWLER DOZER

PR754 LITRONIC

Type 990
SN 12000

LIEBHERR

Information for spare parts page

Pos.	Artikel	Qty	Description	Serie	Page->
10	9076124	1	VARIABLE PUMP	9876-	P0560

Position number of part in illustration

Order No. of spare part

Quantity

description of spare part

Notation of serial number

Reference to additional spare parts page - subsequent page

Page number of spare parts page (This number is not an order No.)

description of spare parts page

Type and serial number for which this spare parts list is applicable

Number page

P0550	A 900 C-LI 917 16359	
LIEBHERR	PUMP AND COUPLING INSTALLATION	99 53 825

Important for spare parts orders!

Check delivery documentation for machine details.

Required information for spare parts orders:

Spare parts orders can only be completed quickly and correctly if the order contains the following data.

- Type (see data tag)
- Machine S/N (see data tag)
- Article number, description and quantity of the desired part.
 - If a manufacturer's number for the part is entered in your spare parts list, for example [2003 28 0481], then it must be noted on the order.
 - When ordering spare parts for engines, the Diesel engine serial number must be noted. This serial number can be found on the data tag of the Diesel engine.
- Type of delivery and exact delivery address.
 - Please confirm phone orders in writing.

Note

- Technical detail changes compared to the data and illustrations in available documentation are reserved.
- Parts not listed are not spare parts!

MACHINE CARD

Article	Designation	Assembly draw	PAGE
9400501	PR754-990 LITRONIC	2 0000 94 00 501 00	P0002
9400502	RIGID UNDERCARRIAGE	2 0100 94 00 502 00	P0009
9400728	TRACKS D8N 1-GROUS.PADS 610MM	2 0207 94 00 728 00	P0052
9411109	FUEL FILTER/WATER SEPARATOR	2 0521 94 11 109 00	P0065
9419697	FUEL FIRST FILTER PR754	2 0521 94 19 697 00	P0066
10316708	DRIVE UNIT STANDARD	2 0541 10 31 670 80	P0086
10316969	ADD.HYDR.INSTALLATION FRONT	2 7900 10 31 696 90	P0199
9400973	FITTING KIT, REAR	2 7920 94 00 973 00	P0211
9400550	OPERATOR'S CAB.WITH AIR COND.	2 8692 94 00 550 00	P0261
10308043	GUARD GRILLE REAR	2 8745 10 30 804 30	P0288
10308047	SCREEN PROTECTION LEFT & RIGHT	2 8745 10 30 804 70	P0289
9748211	WARNING DESIGNATION	2 9930 97 48 211 00	P0465
9400974	SEMI-U BLADE STD 4044MM	5 5050 94 00 974 00	P0597
10307964	ROCK GUARD FOR SEMI U BLADE	5 5090 10 30 796 40	P0602
10316977	PUSH ARMS W/ TILT DEVICE	5 5150 10 31 697 70	P0603
10317250	REAR RIPPER, SINGLE SHANK	5 5200 10 31 725 00	P0620
0	See page ...	9797698	P0630
0	See page ...	9812424	P0631
0	See page ...	DOKU-1	P0632

TABLE OF CONTENTS

Article	Designation	Assembly draw	PAGE
2 0			
9400501	PR754-990 LITRONIC	2 0000 94 00 501 00	P0002
9400501	PR754-990 LITRONIC	2 0000 94 00 501 00	P0003
9400501	PR754-990 LITRONIC	2 0000 94 00 501 00	P0004
9400501	PR754-990 LITRONIC	2 0000 94 00 501 00	P0005
9400501	PR754-990 LITRONIC	2 0000 94 00 501 00	P0006
9400501	PR754-990 LITRONIC	2 0000 94 00 501 00	P0007
9400501	PR754-990 LITRONIC	2 0000 94 00 501 00	P0008
9400502	RIGID UNDERCARRIAGE	2 0100 94 00 502 00	P0009
9400502	RIGID UNDERCARRIAGE	2 0100 94 00 502 00	P0010
9793041	UNDERCARRIAGE LH. CPL.	2 0110 97 93 041 00	P0011
9793041	UNDERCARRIAGE LH. CPL.	2 0110 97 93 041 00	P0012
9793041	UNDERCARRIAGE LH. CPL.	2 0110 97 93 041 00	P0013
9792951	ROLLER FRAME,LEFT CPL.	2 0115 97 92 951 00	P0014
9793042	UNDERCARRIAGE RIGHT CPL.	2 0120 97 93 042 00	P0015
9793042	UNDERCARRIAGE RIGHT CPL.	2 0120 97 93 042 00	P0016
9793042	UNDERCARRIAGE RIGHT CPL.	2 0120 97 93 042 00	P0017
9792952	TRACK FRAME ASSY.CPL.RIGHT	2 0125 97 92 952 00	P0018
10012792	ROLLER SINGLE FLANGE D8N	2 0126 10 01 279 20	P0019
9789812	AXLE CPL.	2 0135 97 89 812 00	P0020
9789329	GUIDE WHEEL UNIT CPL	2 0140 97 89 329 00	P0021
9789329	GUIDE WHEEL UNIT CPL	2 0140 97 89 329 00	P0022
9789329	GUIDE WHEEL UNIT CPL	2 0140 97 89 329 00	P0023
10036886	GUIDE WHEEL D8N	2 0144 10 03 688 60	P0024
5802209	IDLER CPL.	2 0144 58 02 209 00	P0025
10409427	HYDRAULIC TENSIONNER	2 0150 10 40 942 70	P0026
10012793	ROLLER DOUBLE FLANGE D8N	2 0172 10 01 279 30	P0027
5802011	CARRYING ROLLER D8N	2 0182 58 02 011 00	P0028
9406913	UNDERCARRIAGE DRIVE	2 0190 94 06 913 00	P0029
9406913	UNDERCARRIAGE DRIVE	2 0190 94 06 913 00	P0030
10304102	LUBRICATION SYSTEM	2 0191 10 30 410 20	P0031
9400782	DRIVE SPROCKET CPL.	2 0192 94 00 782 00	P0032
90006861	TRAVEL DRIVE FAT 650E508	2 0193 90 00 686 10	P0033
90006861	TRAVEL DRIVE FAT 650E508	2 0193 90 00 686 10	P0034
90006861	TRAVEL DRIVE FAT 650E508	2 0193 90 00 686 10	P0035
90006861	TRAVEL DRIVE FAT 650E508	2 0193 90 00 686 10	P0036
90006861	TRAVEL DRIVE FAT 650E508	2 0193 90 00 686 10	P0037
10172519	SPRING LOADED MULTI-DISC BRAKE	2 0194 10 17 251 90	P0038
9443368	PLANET WHEEL M=4 Z=34	2 0194 94 43 368 00	P0039
9443380	PLANET WHEEL M=6,5 Z=28	2 0194 94 43 380 00	P0040
10289317	FEED VALVE	2 0196 10 28 931 70	P0041
10289327	REVERSING VALVE	2 0196 10 28 932 70	P0042
10291224	CONTROL MAGNET	2 0196 10 29 122 40	P0043
11003592	VARIABLE DISPLACEMENT MOTOR	2 0196 11 00 359 20	P0044
11003592	VARIABLE DISPLACEMENT MOTOR	2 0196 11 00 359 20	P0045
11003592	VARIABLE DISPLACEMENT MOTOR	2 0196 11 00 359 20	P0046
11003592	VARIABLE DISPLACEMENT MOTOR	2 0196 11 00 359 20	P0047

TABLE OF CONTENTS

Article	Designation	Assembly draw	PAGE
11003592	VARIABLE DISPLACEMENT MOTOR	2 0196 11 00 359 20	P0048
11003592	VARIABLE DISPLACEMENT MOTOR	2 0196 11 00 359 20	P0049
11003592	VARIABLE DISPLACEMENT MOTOR	2 0196 11 00 359 20	P0050
11003592	VARIABLE DISPLACEMENT MOTOR	2 0196 11 00 359 20	P0051
9400728	TRACKS D8N 1-GROUS.PADS 610MM	2 0207 94 00 728 00	P0052
10292104	TRACK CHAIN 610mm	2 0254 10 29 210 40	P0053
9400503	HOIST CYLINDER BEARING	2 0300 94 00 503 00	P0054
10305230	FORK CPL.	2 0301 10 30 523 00	P0055
9418368	FORK	2 0301 94 18 368 00	P0056
9790408	HOIST CYLINDER BEARING	2 0302 97 90 408 00	P0057
9930340	BLOCK	2 0303 99 30 340 00	P0058
7410130	CONTROL LID	2 0304 74 10 130 00	P0059
7410131	BUILT-IN VALVE	2 0304 74 10 131 00	P0060
9404656	ARRANGEMENT BELLY PAN	2 0400 94 04 656 00	P0061
9400505	ENGINE PUMP ASSY.	2 0500 94 00 505 00	P0062
9401421	MOTOR SUPPORT	2 0510 94 01 421 00	P0063
9401429	MOUNTING ELEMENTS	2 0519 94 01 429 00	P0064
9411109	FUEL FILTER/WATER SEPARATOR	2 0521 94 11 109 00	P0065
9419697	FUEL FIRST FILTER PR754	2 0521 94 19 697 00	P0066
10303733	ARMAMENT CENTRAL ELECTRIC	2 0523 10 30 373 30	P0067
10303735	ARMAMENT CABIN	2 0523 10 30 373 50	P0068
9411141	ARMAMENT CABIN	2 0523 94 11 141 00	P0069
9411892	ELECTRICAL INSTALLATION	2 0523 94 11 892 00	P0070
9419698	ELECTRICAL INSTALLATION	2 0523 94 19 698 00	P0071
9401423	ENGINE AIR INSTALLATION	2 0530 94 01 423 00	P0072
9401423	ENGINE AIR INSTALLATION	2 0530 94 01 423 00	P0073
10038161	AIR FILTER	2 0531 10 03 816 10	P0074
7365034	OIL DRAIN PLUG M26X1,5	2 0539 73 65 034 00	P0075
10316706	MOTOR/PUMP ASSY.	2 0540 10 31 670 60	P0076
10316706	MOTOR/PUMP ASSY.	2 0540 10 31 670 60	P0077
10316706	MOTOR/PUMP ASSY.	2 0540 10 31 670 60	P0078
10316706	MOTOR/PUMP ASSY.	2 0540 10 31 670 60	P0079
10316706	MOTOR/PUMP ASSY.	2 0540 10 31 670 60	P0080
10316706	MOTOR/PUMP ASSY.	2 0540 10 31 670 60	P0081
10117296	DRIVE UNIT AG 946 G 060	2 0541 10 11 729 60	P0082
10119535	REPAIR KIT DRIVE SHAFT	2 0541 10 11 953 50	P0083
10119691	PUMP DISTRIBUTION GEAR	2 0541 10 11 969 10	P0084
10119801	SEAL KIT	2 0541 10 11 980 10	P0085
10316708	DRIVE UNIT STANDARD	2 0541 10 31 670 80	P0086
5801391	CENTAFLEX COUPLING	2 0542 58 01 391 00	P0087
9078253	CLUTCH ASSEMBLY	2 0542 90 78 253 00	P0088
10021531	VARIABLE PUMP	2 0543 10 02 153 10	P0089
7413416	VARIABLE PUMP	2 0543 74 13 416 00	P0090
7412467	DRIVING GEAR HA10V 140/L	2 0545 74 12 467 00	P0091
10327124	VARIABLE PUMP	2 0546 10 32 712 40	P0092
10327124	VARIABLE PUMP	2 0546 10 32 712 40	P0093
10327124	VARIABLE PUMP	2 0546 10 32 712 40	P0094

TABLE OF CONTENTS

Article	Designation	Assembly draw	PAGE
10327124	VARIABLE PUMP	2 0546 10 32 712 40	P0095
10327124	VARIABLE PUMP	2 0546 10 32 712 40	P0096
10327124	VARIABLE PUMP	2 0546 10 32 712 40	P0097
10327124	VARIABLE PUMP	2 0546 10 32 712 40	P0098
10028551	SCREW PLUG M8X1	2 0547 10 02 855 10	P0099
10113677	SCREW PLUG	2 0547 10 11 367 70	P0100
10228244	PRESSURE LIMITING VALVE	2 0547 10 22 824 40	P0101
10326457	SCREW PLUG M33X2	2 0547 10 32 645 70	P0102
10355069	REGULATION	2 0547 10 35 506 90	P0103
10355069	REGULATION	2 0547 10 35 506 90	P0104
7025154	SCREW PLUG	2 0547 70 25 154 00	P0105
10664186	AXIAL PISTON VAR.DISPLAC.PUMP	2 0548 10 66 418 60	P0106
10803076	VARIABLE PUMP	2 0548 10 80 307 60	P0107
7413290	FEED PRESSURE VALVE	2 0548 74 13 290 00	P0108
10101840	DIRECTIONAL CONTROL VALVE	2 0549 10 10 184 00	P0109
10471368	VARIABLE PUMP	2 0549 10 47 136 80	P0110
10043951	TWO-STAGE PUMP	2 0550 10 04 395 10	P0111
7415390	CONTROL VALVE	2 0555 74 15 390 00	P0112
7025897	DRIVING GEAR	2 0556 70 25 897 00	P0113
7026656	ANGLE FLANGE SCREWED UNION BFW 35L	2 0557 70 26 656 00	P0114
7410753	TUBE NOZZLE	2 0557 74 10 753 00	P0115
9401425	MOTOR LUBRICATION	2 0559 94 01 425 00	P0116
9401427	EXHAUST GAS SYSTEM	2 0570 94 01 427 00	P0117
9401427	EXHAUST GAS SYSTEM	2 0570 94 01 427 00	P0118
9407447	ENGINE COOLING SYSTEM	2 0600 94 07 447 00	P0119
9407447	ENGINE COOLING SYSTEM	2 0600 94 07 447 00	P0120
9407447	ENGINE COOLING SYSTEM	2 0600 94 07 447 00	P0121
10040940	COMBINATED RADIATOR	2 0601 10 04 094 00	P0122
10040940	COMBINATED RADIATOR	2 0601 10 04 094 00	P0123
10306207	VENT TUBE ASSEMBLY	2 0601 10 30 620 70	P0124
9400904	ADD-ON,COMPTS.F.RADIATOR	2 0601 94 00 904 00	P0125
9400904	ADD-ON,COMPTS.F.RADIATOR	2 0601 94 00 904 00	P0126
10355665	EQUALIZING RESERVOIR	2 0603 10 35 566 50	P0127
7412491	SIGHT GLASS M60X2	2 0604 74 12 491 00	P0128
5801658	AXIAL PISTON MOTOR	2 0605 58 01 658 00	P0129
7405835	TUBE NOZZLE BFW 18L	2 0607 74 05 835 00	P0130
2 1			
9400507	EQUALIZER-BAR AS	2 1600 94 00 507 00	P0131
10303879	EQUALIZER BAR CPL.	2 1610 10 30 387 90	P0132
2 6			
9400509	INSTALLATION BRACKET	2 6000 94 00 509 00	P0133
9411957	BRACKET LEFT CPL.	2 6100 94 11 957 00	P0134
10304392	BRACKET RIGHT CPL.	2 6200 10 30 439 20	P0135
9406709	FOOTBOARD,LEFT CPL.	2 6300 94 06 709 00	P0136
9406710	FOOTBOARD LEFT	2 6310 94 06 710 00	P0137
9406714	FOOTBOARD RIGHT CPL.	2 6400 94 06 714 00	P0138

TABLE OF CONTENTS

Article	Designation	Assembly draw	PAGE
9406715	FOOTBOARD RIGHT	2 6410 94 06 715 00	P0139
27			
9400510	TRAVEL HYDRAULIC	2 7000 94 00 510 00	P0140
9400510	TRAVEL HYDRAULIC	2 7000 94 00 510 00	P0141
9400510	TRAVEL HYDRAULIC	2 7000 94 00 510 00	P0142
9400510	TRAVEL HYDRAULIC	2 7000 94 00 510 00	P0143
9400510	TRAVEL HYDRAULIC	2 7000 94 00 510 00	P0144
9400510	TRAVEL HYDRAULIC	2 7000 94 00 510 00	P0145
9400510	TRAVEL HYDRAULIC	2 7000 94 00 510 00	P0146
9400510	TRAVEL HYDRAULIC	2 7000 94 00 510 00	P0147
9400510	TRAVEL HYDRAULIC	2 7000 94 00 510 00	P0148
9400510	TRAVEL HYDRAULIC	2 7000 94 00 510 00	P0149
9402536	ADDITIONAL CLIP	2 7006 94 02 536 00	P0150
9402536	ADDITIONAL CLIP	2 7006 94 02 536 00	P0151
9402461	PRESSURE BLOCK CPL.	2 7020 94 02 461 00	P0152
10304286	FILTER CPL.	2 7030 10 30 428 60	P0153
5003558	DIAPHRAGM ACCUMULATOR	2 7052 50 03 558 00	P0154
9402500	BLOC CPL.	2 7060 94 02 500 00	P0155
9402526	COLLECTING BLOCK	2 7080 94 02 526 00	P0156
9408491	MV-DISTRIBUTOR CPL.	2 7090 94 08 491 00	P0157
9406226	HYDRAULIC TANK INSTALLATION	2 7100 94 06 226 00	P0158
9406226	HYDRAULIC TANK INSTALLATION	2 7100 94 06 226 00	P0159
9406226	HYDRAULIC TANK INSTALLATION	2 7100 94 06 226 00	P0160
9793850	MOUNTING PARTS-HYDR.TANK	2 7101 97 93 850 00	P0161
7413675	RETURN FLOW FILTER SET	2 7104 74 13 675 00	P0162
10045027	SHUT OFF DEVICE	2 7105 10 04 502 70	P0163
5802444	PRESSURE FILTER	2 7140 58 02 444 00	P0164
9405462	OIL COOLER ASSEMBLY	2 7200 94 05 462 00	P0165
9405462	OIL COOLER ASSEMBLY	2 7200 94 05 462 00	P0166
9405462	OIL COOLER ASSEMBLY	2 7200 94 05 462 00	P0167
9405462	OIL COOLER ASSEMBLY	2 7200 94 05 462 00	P0168
9790552	PARTS FOR OIL COOLER HOUSING	2 7201 97 90 552 00	P0169
9405466	OIL COOLER CPL.	2 7202 94 05 466 00	P0170
10472855	COMBINED OIL COOLER	2 7203 10 47 285 50	P0171
7410628	FLANGE CONNECTION WFS20S 3/4 A3C	2 7204 74 10 628 00	P0172
7410630	FLANGE CONNECTION WFS 28L	2 7204 74 10 630 00	P0173
10307372	OIL COOLER HOUSING	2 7210 10 30 737 20	P0174
9930482	DOOR	2 7211 99 30 482 00	P0175
9400511	WORKING HYDRAULIC	2 7800 94 00 511 00	P0176
9400511	WORKING HYDRAULIC	2 7800 94 00 511 00	P0177
9400511	WORKING HYDRAULIC	2 7800 94 00 511 00	P0178
9400511	WORKING HYDRAULIC	2 7800 94 00 511 00	P0179
9400511	WORKING HYDRAULIC	2 7800 94 00 511 00	P0180
10488342	PRESSURE SUCTION VALVE	2 7806 10 48 834 20	P0181
9402537	ADDITIONAL CLIP	2 7806 94 02 537 00	P0182
9411204	CONTROL VALVE CPL.	2 7820 94 11 204 00	P0183
10301556	2-FOLD CONTROL BLOCK	2 7821 10 30 155 60	P0184

TABLE OF CONTENTS

Article	Designation	Assembly draw	PAGE
10301556	2-FOLD CONTROL BLOCK	2 7821 10 30 155 60	P0185
10301556	2-FOLD CONTROL BLOCK	2 7821 10 30 155 60	P0186
10011741	VALVE	2 7822 10 01 174 10	P0187
5801621	SOLENOID VALVE	2 7822 58 01 621 00	P0188
7025955	PRESSURE SUCTION VALVE	2 7822 70 25 955 00	P0189
7029356	SCREW PLUG	2 7822 70 29 356 00	P0190
7414772	LID	2 7822 74 14 772 00	P0191
9408500	SERVO CONTROL UNIT	2 7830 94 08 500 00	P0192
10222637	PILOT CONTROL UNIT	2 7831 10 22 263 70	P0193
11060290	PILOT CONTROL UNIT	2 7831 11 06 029 00	P0194
9597425	LH-JOYSTICK RIGHT	2 7833 95 97 425 00	P0195
10342511	SHEET	2 7842 10 34 251 10	P0196
10342512	VALVE	2 7843 10 34 251 20	P0197
9798981	ATTACHING PARTS AXLE	2 7890 97 98 981 00	P0198
10316969	ADD.HYDR.INSTALLATION FRONT	2 7900 10 31 696 90	P0199
10218504	SEGMENT	2 7904 10 21 850 40	P0200
11114956	DIRECTIONAL SEAT VALVE	2 7909 11 11 495 60	P0201
11114957	DIRECTIONAL CONTROL VALVE	2 7909 11 11 495 70	P0202
7414262	DIRECTIONAL CONTROL VALVE	2 7909 74 14 262 00	P0203
10310795	HYDRAULIC CYLINDER LEFT	2 7910 10 31 079 50	P0204
9401038	TERMINAL HOLDER	2 7911 94 01 038 00	P0205
9401039	STRAP HOLDER	2 7911 94 01 039 00	P0206
94004394	HYDRAULIC CYLINDER	2 7913 94 00 439 40	P0207
9584768	PISTON 110MM	2 7914 95 84 768 00	P0208
94023514	PISTON ROD BEARING	2 7915 94 02 351 40	P0209
10310794	HYDRAULIC CYLINDER RIGHT	2 7917 10 31 079 40	P0210
9400973	FITTING KIT, REAR	2 7920 94 00 973 00	P0211
9400973	FITTING KIT, REAR	2 7920 94 00 973 00	P0212
9400973	FITTING KIT, REAR	2 7920 94 00 973 00	P0213
9794564	BLOC LEFT	2 7921 97 94 564 00	P0214
9400985	BLOCK MIDDLE	2 7922 94 00 985 00	P0215
9794576	BLOCK RIGHT	2 7923 97 94 576 00	P0216
9408831	PILOT CONTROL UNIT	2 7924 94 08 831 00	P0217
10440816	HAND CONTROL TRANSDUCER	2 7925 10 44 081 60	P0218
94003538	HYDRAULIC CYLINDER	2 7945 94 00 353 80	P0219
9968663	PISTON 180MM	2 7946 99 68 663 00	P0220
94021572	PISTON ROD BEARING 080/180	2 7947 94 02 157 20	P0221

2 8

9406236	FRAME CPL.	2 8000 94 06 236 00	P0222
9400857	CROSS MEMBER CPL.	2 8060 94 00 857 00	P0223
9414302	PANELLING	2 8500 94 14 302 00	P0224
9414302	PANELLING	2 8500 94 14 302 00	P0225
9414302	PANELLING	2 8500 94 14 302 00	P0226
9414302	PANELLING	2 8500 94 14 302 00	P0227
9414302	PANELLING	2 8500 94 14 302 00	P0228
9414302	PANELLING	2 8500 94 14 302 00	P0229
9414302	PANELLING	2 8500 94 14 302 00	P0230

TABLE OF CONTENTS

Article	Designation	Assembly draw	PAGE
9032590	HITCH CPL.	2 8502 90 32 590 00	P0231
9406413	COVER LEFT	2 8512 94 06 413 00	P0232
9406418	COVER RIGHT	2 8522 94 06 418 00	P0233
9414327	DOOR LEFT, COMPL.	2 8530 94 14 327 00	P0234
10216602	DOOR LOCK	2 8531 10 21 660 20	P0235
10216603	DOOR LOCK	2 8531 10 21 660 30	P0236
10311606	HINGE	2 8533 10 31 160 60	P0237
9414441	DOOR RIGHT, COMPL.	2 8540 94 14 441 00	P0238
9414612	BULKHEAD ASSY.	2 8580 94 14 612 00	P0239
9400514	PLATFORM CPL.	2 8600 94 00 514 00	P0240
9400514	PLATFORM CPL.	2 8600 94 00 514 00	P0241
9400514	PLATFORM CPL.	2 8600 94 00 514 00	P0242
9400514	PLATFORM CPL.	2 8600 94 00 514 00	P0243
9401655	BRACE PLATE	2 8606 94 01 655 00	P0244
9932180	ADD.PIECES OPERATOR'S PLATFORM	2 8609 99 32 180 00	P0245
9747398	ARM REST ADJUSTABLE	2 8650 97 47 398 00	P0246
9417990	LEVER	2 8660 94 17 990 00	P0247
9417990	LEVER	2 8660 94 17 990 00	P0248
10318488	ANGLE SENSOR PREMOUNTING	2 8681 10 31 848 80	P0249
10318563	PRE-ASSEMBLY PEDAL	2 8681 10 31 856 30	P0250
10318566	INCHING PEDAL	2 8681 10 31 856 60	P0251
9413513	BASEPLATE	2 8681 94 13 513 00	P0252
9817667	LIMIT STOP	2 8681 98 17 667 00	P0253
9408381	OPERATOR'S PLATFORM	2 8682 94 08 381 00	P0254
9813785	OPERATOR'S PLATFORM CLADDING	2 8683 98 13 785 00	P0255
9813785	OPERATOR'S PLATFORM CLADDING	2 8683 98 13 785 00	P0256
10316896	CASING LEFT	2 8684 10 31 689 60	P0257
9406120	COVER COMPL.	2 8684 94 06 120 00	P0258
9930263	ADD SOUND INSULATION DRVR CAB	2 8685 99 30 263 00	P0259
10318565	INTEGRATED INCH PEDAL	2 8690 10 31 856 50	P0260
9400550	OPERATOR'S CAB.WITH AIR COND.	2 8692 94 00 550 00	P0261
10304105	OPERATOR'S COMPARTMENT	2 8695 10 30 410 50	P0262
10304105	OPERATOR'S COMPARTMENT	2 8695 10 30 410 50	P0263
10304106	MOUNTING DRIVER'S SEAT	2 8697 10 30 410 60	P0264
10304106	MOUNTING DRIVER'S SEAT	2 8697 10 30 410 60	P0265
7413575	SEAT FRAME LEFT	2 8698 74 13 575 00	P0266
7413581	SEAT SUPPORT	2 8698 74 13 581 00	P0267
7622403	DRIVERS SEAT	2 8698 76 22 403 00	P0268
7622814	VIBRATING SYSTEM	2 8698 76 22 814 00	P0269
9413591	CAB CPL.	2 8700 94 13 591 00	P0270
9413591	CAB CPL.	2 8700 94 13 591 00	P0271
9413591	CAB CPL.	2 8700 94 13 591 00	P0272
9413591	CAB CPL.	2 8700 94 13 591 00	P0273
9413591	CAB CPL.	2 8700 94 13 591 00	P0274
9413591	CAB CPL.	2 8700 94 13 591 00	P0275
9413591	CAB CPL.	2 8700 94 13 591 00	P0276
9413591	CAB CPL.	2 8700 94 13 591 00	P0277

TABLE OF CONTENTS

Article	Designation	Assembly draw	PAGE
9413591	CAB CPL.	2 8700 94 13 591 00	P0278
9413592	CABIN	2 8700 94 13 592 00	P0279
9931719	DRIVER CAB COVERING	2 8705 99 31 719 00	P0280
9931719	DRIVER CAB COVERING	2 8705 99 31 719 00	P0281
9931719	DRIVER CAB COVERING	2 8705 99 31 719 00	P0282
9403950	FRONT WALL	2 8711 94 03 950 00	P0283
9747640	DOOR LEFT	2 8720 97 47 640 00	P0284
9747489	DOOR RIGHT	2 8730 97 47 489 00	P0285
9414048	SLIDING WINDOW LEFT	2 8743 94 14 048 00	P0286
9747698	GLASS PANE	2 8743 97 47 698 00	P0287
10308043	GUARD GRILLE REAR	2 8745 10 30 804 30	P0288
10308047	SCREEN PROTECTION LEFT & RIGHT	2 8745 10 30 804 70	P0289
9933202	LID	2 8758 99 33 202 00	P0290
7414028	LEVER FASTENER	2 8759 74 14 028 00	P0291
10279906	WASHING UNIT CONTAINER	2 8773 10 27 990 60	P0292
7412092	LOCKABLE TANK CAP	2 8774 74 12 092 00	P0293
7610826	LOCKABLE TANK CAP d=45	2 8774 76 10 826 00	P0294
9747732	HOSING	2 8775 97 47 732 00	P0295
9405456	WINDSHIELD WIPER-DOOR LEFT	2 8780 94 05 456 00	P0296
9405457	WINDSHIELD WIPPER DOOR RIGHT	2 8781 94 05 457 00	P0297
9405458	WINDSHIELD WIPER	2 8782 94 05 458 00	P0298
10305552	WINDSHIELD WIPER	2 8783 10 30 555 20	P0299
10025067	SUNSHADE	2 8860 10 02 506 70	P0300
9748882	MOUNTING CONDENSER	2 8925 97 48 882 00	P0301
9748882	MOUNTING CONDENSER	2 8925 97 48 882 00	P0302
10007774	CONDENSER UNIT	2 8928 10 00 777 40	P0303

2 9

10310699	E-SYSTEM BASIC MACHINE	2 9000 10 31 069 90	P0304
10310699	E-SYSTEM BASIC MACHINE	2 9000 10 31 069 90	P0305
10310699	E-SYSTEM BASIC MACHINE	2 9000 10 31 069 90	P0306
10310699	E-SYSTEM BASIC MACHINE	2 9000 10 31 069 90	P0307
10310699	E-SYSTEM BASIC MACHINE	2 9000 10 31 069 90	P0308
10310699	E-SYSTEM BASIC MACHINE	2 9000 10 31 069 90	P0309
10310699	E-SYSTEM BASIC MACHINE	2 9000 10 31 069 90	P0310
10310699	E-SYSTEM BASIC MACHINE	2 9000 10 31 069 90	P0311
606070908	BATTERY MAIN SWITCH	2 9001 60 60 709 08	P0312
9417769	BATTERY-BOX DEGASSER	2 9002 94 17 769 00	P0313
9968614	LH-JOYSTICK LEFT	2 9009 99 68 614 00	P0314
10007340	PLUG INSERT	2 9013 10 00 734 00	P0315
10007342	PLUG MT2/JPT 42-POL	2 9013 10 00 734 20	P0316
10022813	PLUG DRC16-40SE 40-POL 13A 1500V	2 9013 10 02 281 30	P0317
10303734	CABLE LOOM W-KVFZ	2 9013 10 30 373 40	P0318
10303736	CABLE LOOM W-KVFG	2 9013 10 30 373 60	P0319
10303759	CABLE LOOM W-KWAG	2 9013 10 30 375 90	P0320
10305585	CENTRAL WIRE HARNESS W-ZKS754	2 9013 10 30 558 50	P0321
10305585	CENTRAL WIRE HARNESS W-ZKS754	2 9013 10 30 558 50	P0322
10305585	CENTRAL WIRE HARNESS W-ZKS754	2 9013 10 30 558 50	P0323

TABLE OF CONTENTS

Article	Designation	Assembly draw	PAGE
10305585	CENTRAL WIRE HARNESS W-ZKS754	2 9013 10 30 558 50	P0324
10305585	CENTRAL WIRE HARNESS W-ZKS754	2 9013 10 30 558 50	P0325
10305585	CENTRAL WIRE HARNESS W-ZKS754	2 9013 10 30 558 50	P0326
10305585	CENTRAL WIRE HARNESS W-ZKS754	2 9013 10 30 558 50	P0327
10305585	CENTRAL WIRE HARNESS W-ZKS754	2 9013 10 30 558 50	P0328
10305588	STARTER WIRING HARNESS RED W-ANLL	2 9013 10 30 558 80	P0329
10305589	EARTH LINE W-MASSL	2 9013 10 30 558 90	P0330
10305591	WIRING HARN.BATT.MAIN SWITCH W-BATH	2 9013 10 30 559 10	P0331
10305601	WIRING HARN.BATT.MAIN SWITCH W-BATHS	2 9013 10 30 560 10	P0332
10310734	CABLE LOOM W-ADAPT	2 9013 10 31 073 40	P0333
10318796	WIRE HARNESS INCH-PEDAL W-INCHP	2 9013 10 31 879 60	P0334
6003167	BUSH HOUSING DT 6-POL 13A 1500V	2 9013 60 03 167 00	P0335
6003168	PLUG	2 9013 60 03 168 00	P0336
6003169	PLUG DT 2-POL 13A 24V	2 9013 60 03 169 00	P0337
6003231	PLUG DT 06-12SA-CE01 12-POL 13A 150	2 9013 60 03 231 00	P0338
6003248	PLUG DT 4-POL 13A 1500V	2 9013 60 03 248 00	P0339
6003272	PLUG DT06-08 8-POL 13A 1500V	2 9013 60 03 272 00	P0340
9414984	WIRE HARN.CONT.BRACK.CONTR.CABW-BD	2 9013 94 14 984 00	P0341
9414984	WIRE HARN.CONT.BRACK.CONTR.CABW-BD	2 9013 94 14 984 00	P0342
9414986	WIRE HARNESS SWITCH W-INTV	2 9013 94 14 986 00	P0343
9415208	BATT.CONNECTING CABLE W-BATV	2 9013 94 15 208 00	P0344
9415211	CABLE LOOM W-AZKV	2 9013 94 15 211 00	P0345
9415211	CABLE LOOM W-AZKV	2 9013 94 15 211 00	P0346
9407656	ELECTRIONICCOMPONENTS	2 9014 94 07 656 00	P0347
11007005	CONTROL UNIT	2 9015 11 00 700 50	P0348
10305056	BRACKET	2 9030 10 30 505 60	P0349
10305056	BRACKET	2 9030 10 30 505 60	P0350
9411401	INDICATOR MODULE	2 9037 94 11 401 00	P0351
9415077	DISPLAY PANEL	2 9037 94 15 077 00	P0352
10023768	STOCK INDICATOR	2 9038 10 02 376 80	P0353
10023769	TEMPERATURE INDICATOR	2 9038 10 02 376 90	P0354
10310664	CENTRAL ELECTRIC CPL.	2 9040 10 31 066 40	P0355
10310664	CENTRAL ELECTRIC CPL.	2 9040 10 31 066 40	P0356
9407951	HOUSING CPL.	2 9041 94 07 951 00	P0357
10306773	ABRASION PROT. FOR CENTRAL EL.	2 9042 10 30 677 30	P0358
10310665	EQUIPMENT BESTU754	2 9042 10 31 066 50	P0359
10310665	EQUIPMENT BESTU754	2 9042 10 31 066 50	P0360
10304051	ELECTRIC INSTALLATION	2 9050 10 30 405 10	P0361
10304051	ELECTRIC INSTALLATION	2 9050 10 30 405 10	P0362
10304051	ELECTRIC INSTALLATION	2 9050 10 30 405 10	P0363
10454945	FLOODLIGHT	2 9051 10 45 494 50	P0364
10454946	FLOODLIGHT	2 9051 10 45 494 60	P0365
10304702	WIRING HARNESS UNIT	2 9060 10 30 470 20	P0366
9416302	ELEC.SYSTEM AIR CONDIT.PLANT	2 9070 94 16 302 00	P0367
9416301	ARMAMENT CENTRAL ELECTRIC	2 9071 94 16 301 00	P0368
9411267	BRACKET	2 9072 94 11 267 00	P0369
9402904	ELECTRICAL INSTALLATION	2 9073 94 02 904 00	P0370

TABLE OF CONTENTS

Article	Designation	Assembly draw	PAGE
9416264	E-SYSTEM OPERATORS PLATFORM	2 9080 94 16 264 00	P0371
9416264	E-SYSTEM OPERATORS PLATFORM	2 9080 94 16 264 00	P0372
9933420	ENGINE THROTTLE CONTROL	2 9081 99 33 420 00	P0373
10304411	SOFTWARE	2 9099 10 30 441 10	P0374
9931988	BRACKET	2 9180 99 31 988 00	P0375
9407693	SEAT PLATE	2 9201 94 07 693 00	P0376
9409522	FILTER COVER	2 9206 94 09 522 00	P0377
9408511	HOSE CONNECTION	2 9210 94 08 511 00	P0378
9408510	AIR CONDITIONER HEATING	2 9250 94 08 510 00	P0379
9408252	EVAPORATOR INSTALLATION	2 9260 94 08 252 00	P0380
10280326	AIR CONDITIONING UNIT 24V	2 9261 10 28 032 60	P0381
10280326	AIR CONDITIONING UNIT 24V	2 9261 10 28 032 60	P0382
10280326	AIR CONDITIONING UNIT 24V	2 9261 10 28 032 60	P0383
10280326	AIR CONDITIONING UNIT 24V	2 9261 10 28 032 60	P0384
10280326	AIR CONDITIONING UNIT 24V	2 9261 10 28 032 60	P0385
10042328	WATER VALVE	2 9262 10 04 232 80	P0386
10042811	VALVE	2 9263 10 04 281 10	P0387
10042841	VALVE	2 9263 10 04 284 10	P0388
10044604	HOSE	2 9263 10 04 460 40	P0389
10044605	HOSE	2 9263 10 04 460 50	P0390
9408512	HOSE LINE AIR CONDITION	2 9290 94 08 512 00	P0391
9408512	HOSE LINE AIR CONDITION	2 9290 94 08 512 00	P0392
9412417	HOSE LINE	2 9291 94 12 417 00	P0393
9412418	HOSE LINE	2 9291 94 12 418 00	P0394
9749869	HOSE LINE	2 9291 97 49 869 00	P0395
10318664	DRIVERS CABIN ASSY.	2 9300 10 31 866 40	P0396
9400517	FUEL SYSTEM	2 9300 94 00 517 00	P0397
10307511	FUEL TANK CPL.	2 9400 10 30 751 10	P0398
10307511	FUEL TANK CPL.	2 9400 10 30 751 10	P0399
10307511	FUEL TANK CPL.	2 9400 10 30 751 10	P0400
10307511	FUEL TANK CPL.	2 9400 10 30 751 10	P0401
10041048	LEVEL SENSOR	2 9401 10 04 104 80	P0402
9817934	ADDITIONAL FUEL TANK	2 9401 98 17 934 00	P0403
10443841	PADLOCK	2 9403 10 44 384 10	P0404
10307512	FUEL CONTAINER	2 9410 10 30 751 20	P0405
10304549	SIDE WALL LEFT	2 9412 10 30 454 90	P0406
10304550	SIDE WALL RIGHT	2 9413 10 30 455 00	P0407
9066460	LUBRICANTS	2 9600 90 66 460 00	P0408
9400519	LUBRICANTS FACTORY FILL	2 9600 94 00 519 00	P0409
9400520	TOOL EQUIPMENT	2 9620 94 00 520 00	P0410
7410833	TOOL WALLET,COMPLETE	2 9622 74 10 833 00	P0411
7410833	TOOL WALLET,COMPLETE	2 9622 74 10 833 00	P0412
7900280	LEVER TYPE HAND GREASE GUN	2 9623 79 00 280 00	P0413
9030587	OIL DRAIN HOSE	2 9624 90 30 587 00	P0414
9401975	BREAK VENTING ADAPTER	2 9625 94 01 975 00	P0415
9413574	BREAK VENTING ADAPTER	2 9625 94 13 574 00	P0416
9415306	SCAVENGING DUCT FAT	2 9625 94 15 306 00	P0417

TABLE OF CONTENTS

Article	Designation	Assembly draw	PAGE
9066466	ACCESSORIES	2 9651 90 66 466 00	P0418
9066466	ACCESSORIES	2 9651 90 66 466 00	P0419
9070361	MOTOR OIL	2 9651 90 70 361 00	P0420
9070362	HYDRAULIC OIL	2 9651 90 70 362 00	P0421
9070363	BIODEGRADABLE HYDRAULIC-OIL	2 9651 90 70 363 00	P0422
9070364	AXLE AND GEAR-OIL	2 9651 90 70 364 00	P0423
9070365	GEAR OIL	2 9651 90 70 365 00	P0424
9070366	GREASES	2 9651 90 70 366 00	P0425
9070367	COOLANT	2 9651 90 70 367 00	P0426
9070368	COOLANTS CONTAINING DCA	2 9651 90 70 368 00	P0427
9408341	FILLING MOTOR OIL	2 9651 94 08 341 00	P0428
9408342	FILLING PVG	2 9651 94 08 342 00	P0429
9408343	FILLING FAT	2 9651 94 08 343 00	P0430
9408344	FILLING LIFETIME	2 9651 94 08 344 00	P0431
9408345	FILLING HYDRAULIK UNIT	2 9651 94 08 345 00	P0432
9408346	FILLING COOLING SYSTEM	2 9651 94 08 346 00	P0433
10356303	HYDRAULIC OIL LIEBHERR/ISO-VG 46	2 9652 10 35 630 30	P0434
10356789	HYDRAULIC OIL LIEBHERR/ISO-VG 100	2 9652 10 35 678 90	P0435
10356791	HYDRAULIC OIL LIEBHERR/ISO VG 46	2 9652 10 35 679 10	P0436
10356793	ENGINE OIL LIEBHERR/10W-40	2 9652 10 35 679 30	P0437
10356797	ENGINE OIL LIEBHERR LOW ASH/10W-40	2 9652 10 35 679 70	P0438
10356800	HYDRAULIC OIL LIEBHERR/ISO VG 68	2 9652 10 35 680 00	P0439
10356825	HYDRAULIC OIL LIEBHERR/ISO VG 15-46	2 9652 10 35 682 50	P0440
10356826	GEAR OIL LIEBHERR/75W-90	2 9652 10 35 682 60	P0441
10356827	GEAR OIL LIEBHERR/85W-140	2 9652 10 35 682 70	P0442
10356828	HYDRAULIC+GEAR-OIL LIEBHERR/5W-20	2 9652 10 35 682 80	P0443
10356829	AXLE AND GEAR-OIL LIEBHERR/85W-90	2 9652 10 35 682 90	P0444
10356831	AXLE-OIL LIEBHERR/20W-40	2 9652 10 35 683 10	P0445
10356832	ANTICORROSION ANTIFREEZER	2 9652 10 35 683 20	P0446
10358947	SPECIAL GREASE LIEBHERR	2 9652 10 35 894 70	P0447
10358948	LOW TEMPERATURE GREASE LIEBHERR	2 9652 10 35 894 80	P0448
10358949	UNIVERSAL GREASE LIEBHERR	2 9652 10 35 894 90	P0449
10358950	SPRAY-PASTE LIEBHERR	2 9652 10 35 895 00	P0450
10358992	BIT-PASTE LIEBHERR	2 9652 10 35 899 20	P0451
10359056	ANTICORROSION ANTIFREEZER	2 9652 10 35 905 60	P0452
10425711	ENGINE OIL LIEBHERR/5W-30	2 9652 10 42 571 10	P0453
9400522	SERVICE KIT 0-2000HOURS	2 9691 94 00 522 00	P0454
9409535	SERVICE KIT FUEL FILTER	2 9692 94 09 535 00	P0455
9416146	SERVICE KIT 500BH	2 9693 94 16 146 00	P0456
9416154	SERVICE KIT 1000BH	2 9694 94 16 154 00	P0457
9416154	SERVICE KIT 1000BH	2 9694 94 16 154 00	P0458
9416155	SERVICE KIT 2000h	2 9695 94 16 155 00	P0459
9416155	SERVICE KIT 2000h	2 9695 94 16 155 00	P0460
9416156	SERVICE KIT 1500/2500/...BH	2 9696 94 16 156 00	P0461
9400521	ARRANGEMENT LABELS PR754	2 9900 94 00 521 00	P0462
9400521	ARRANGEMENT LABELS PR754	2 9900 94 00 521 00	P0463
9932812	CLAMP INSPECTION BOOK	2 9910 99 32 812 00	P0464

TABLE OF CONTENTS

Article	Designation	Assembly draw	PAGE
9748211	WARNING DESIGNATION	2 9930 97 48 211 00	P0465
9402953	LABEL	2 9990 94 02 953 00	P0466
9407292	SERVICE MATERIAL	2 9999 94 07 292 00	P0467
3 0			
10116537	DIESEL ENGINE D946 L A6	3 0000 10 11 653 70	P0468
10116537	DIESEL ENGINE D946 L A6	3 0000 10 11 653 70	P0469
10116537	DIESEL ENGINE D946 L A6	3 0000 10 11 653 70	P0470
10116537	DIESEL ENGINE D946 L A6	3 0000 10 11 653 70	P0471
10116537	DIESEL ENGINE D946 L A6	3 0000 10 11 653 70	P0472
10116537	DIESEL ENGINE D946 L A6	3 0000 10 11 653 70	P0473
10116537	DIESEL ENGINE D946 L A6	3 0000 10 11 653 70	P0474
10116537	DIESEL ENGINE D946 L A6	3 0000 10 11 653 70	P0475
10116163	CRANKCASE	3 0100 10 11 616 30	P0476
10116162	CRANKCASE	3 0110 10 11 616 20	P0477
9073795	PISTON COOLING	3 0115 90 73 795 00	P0478
10117951	FINAL CONTROL VALVE	3 0120 10 11 795 10	P0479
10116008	CYLINDER	3 0130 10 11 600 80	P0480
10117787	CRANKCASE BREATHER ASSEMBLY	3 0160 10 11 778 70	P0481
9075483	CRANKCASE BREATHER	3 0165 90 75 483 00	P0482
9079480	POWER UNIT SUPPORT ATTACHMENT	3 0170 90 79 480 00	P0483
9079486	OIL SUMP	3 0200 90 79 486 00	P0484
9079482	OIL SUMP	3 0205 90 79 482 00	P0485
9080866	OIL LINE	3 0208 90 80 866 00	P0486
10117114	DIPSTICK W.TUBE	3 0210 10 11 711 40	P0487
10118702	LADDER-TYPE FRAME	3 0220 10 11 870 20	P0488
5004624	VALVE	3 0220 50 04 624 00	P0489
10116154	OIL FILLER INLET	3 0230 10 11 615 40	P0490
9079491	SHEET	3 0231 90 79 491 00	P0491
9079958	SHEET	3 0231 90 79 958 00	P0492
9144757	END COVER	3 0231 91 44 757 00	P0493
9147512	LOCKING PIECES	3 0231 91 47 512 00	P0494
9075115	CRANKSHAFT WITH GEAR D936L	3 0500 90 75 115 00	P0495
9076458	CRANKSHAFT BEARINGS D936-SPUTTER	3 0510 90 76 458 00	P0496
10121345	RK CRANKSHAFT SEAL	3 0520 10 12 134 50	P0497
10117571	CRANKSHAFT ADD-ON PARTS	3 0540 10 11 757 10	P0498
9076459	MAIN ROD	3 0600 90 76 459 00	P0499
10116003	PISTON CPL. d=130	3 0700 10 11 600 30	P0500
10116004	PISTON	3 0710 10 11 600 40	P0501
10116386	CYLINDER HEAD ASSEMBLY	3 0800 10 11 638 60	P0502
9079849	CYLINDER HEAD COVER	3 0805 90 79 849 00	P0503
10119427	CYLINDER HEAD PRE-ASS.	3 0810 10 11 942 70	P0504
9079861	ROCKER LEVER BLOCK	3 0815 90 79 861 00	P0505
9079852	CYLINDER HEAD	3 0820 90 79 852 00	P0506
9074505	ROCKER LEVER SUPPORT ASSY	3 0831 90 74 505 00	P0507
9074507	ROCKER ARM PRE-ASS.	3 0831 90 74 507 00	P0508
10117894	SEAL KIT CYLINDER HEAD	3 0899 10 11 789 40	P0509
10117894	SEAL KIT CYLINDER HEAD	3 0899 10 11 789 40	P0510

TABLE OF CONTENTS

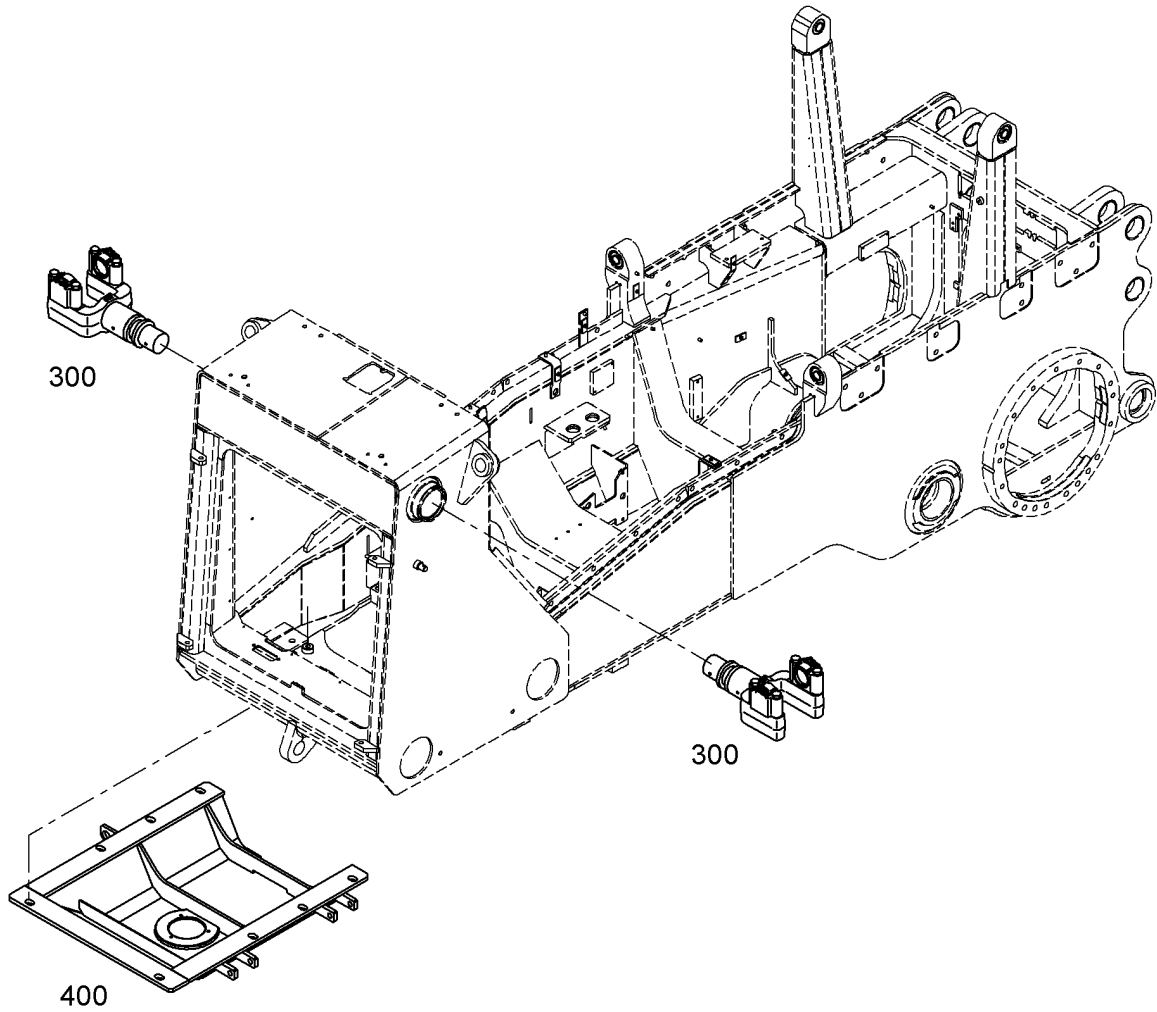
Article	Designation	Assembly draw	PAGE
10117895	SEAL KIT CYLINDER HEAD	3 0899 10 11 789 50	P0511
10117895	SEAL KIT CYLINDER HEAD	3 0899 10 11 789 50	P0512
3 1			
10116546	CAMS SHAFT	3 1000 10 11 654 60	P0513
9079870	CONTROL PARTS D930	3 1100 90 79 870 00	P0514
9073507	OIL COOLER PRE-ASS. D936/12	3 1300 90 73 507 00	P0515
9073508	OIL COOLER ADD-ON	3 1300 90 73 508 00	P0516
9078233	VALVE M14X1,5	3 1325 90 78 233 00	P0517
10115850	SEALING SET OIL COOLER	3 1399 10 11 585 00	P0518
9074796	ENGINE LUBE PUMP ASSY B=43	3 1400 90 74 796 00	P0519
9080278	SUCTION PUMP WITH FASTENING	3 1400 90 80 278 00	P0520
9072781	LUBE OIL PUMP PREASS.	3 1410 90 72 781 00	P0521
9080277	SUCTION PUMP	3 1410 90 80 277 00	P0522
9075368	LUBE OIL FILTER	3 1500 90 75 368 00	P0523
10116257	INJECTION PUMP	3 1700 10 11 625 70	P0524
10116839	INJECTION PUMP	3 1700 10 11 683 90	P0525
9078680	DELIVERY PUMP	3 1780 90 78 680 00	P0526
10115855	SEAL KIT INJECTION PUMP	3 1799 10 11 585 50	P0527
10117467	INJECTION W.CLAMP	3 1900 10 11 746 70	P0528
10117477	RK INJECTION NOZZLE	3 1901 10 11 747 70	P0529
10117468	INJECTOR	3 1910 10 11 746 80	P0530
10118900	RK NOZZLE	3 1912 10 11 890 00	P0531
9075395	PRESSURE ADAPTER ASS.	3 1915 90 75 395 00	P0532
10115854	SEAL KIT INJECTION NOZZLE	3 1999 10 11 585 40	P0533
3 2			
10116562	FUEL-PREFILTER ASS.	3 2000 10 11 656 20	P0534
10125007	FUEL FINE-FILTER ASSEMBLY	3 2000 10 12 500 70	P0535
10125801	FUEL FINE FILTER	3 2001 10 12 580 10	P0536
10303007	FUEL PREFILTER	3 2010 10 30 300 70	P0537
10222819	FUEL PREFILTER 10 MICRON	3 2020 10 22 281 90	P0538
10116285	FUEL LINE	3 2100 10 11 628 50	P0539
10116285	FUEL LINE	3 2100 10 11 628 50	P0540
9073767	AUXILIARY DRIVE - ADD-ON UNIT	3 2102 90 73 767 00	P0541
10115595	LEAK OIL RETURN LINE	3 2110 10 11 559 50	P0542
9079083	PIPELINE INSTALLATION	3 2110 90 79 083 00	P0543
9079580	CONNECTION PIECE	3 2110 90 79 580 00	P0544
10116576	CONNECTION PIECE D936	3 2120 10 11 657 60	P0545
10117073	AIR SUCTION PIPE	3 2200 10 11 707 30	P0546
10117781	CONNECTION STUB	3 2210 10 11 778 10	P0547
10115703	CONNECTING LINE ADD-ON D936 / K29	3 2300 10 11 570 30	P0548
9078314	HEATING FLANGE ADD-ON	3 2650 90 78 314 00	P0549
3 3			
9078356	LOCKING PIECES	3 3320 90 78 356 00	P0550
10115539	STARTER 7,8KW	3 3410 10 11 553 90	P0551
10115479	EXHAUST PIPE	3 3411 10 11 547 90	P0552
9080301	AT-WATER PUMP WITH FASTENING R-MOTOR	3 3700 90 80 301 00	P0553

TABLE OF CONTENTS

Article	Designation	Assembly draw	PAGE
10121021	WATER PUMP, PRE-ASSEMBLED R-MOTOR	3 3720 10 12 102 10	P0554
9075678	THERMOSTAT HOUSING D930	3 3815 90 75 678 00	P0555
10115502	COOLING WATER AIR BLEEDING	3 3820 10 11 550 20	P0556
10121235	HEATER CONNECTION	3 3820 10 12 123 50	P0557
9079472	COOLANT PIPE BEND 90°	3 3820 90 79 472 00	P0558
9079474	COOLANT PIPE BEND	3 3820 90 79 474 00	P0559
9080280	LOCKING PIECES	3 3820 90 80 280 00	P0560
9887461	TENSION CLAMP DEVISE	3 3960 98 87 461 00	P0561
3 4			
10117572	AIR COND. COMPRESSOR ADD-ON	3 4000 10 11 757 20	P0562
10117758	HEAT PROTECTION	3 4150 10 11 775 80	P0563
10117450	ATL ATTACHMENT	3 4300 10 11 745 00	P0564
10116903	ALTERNATOR ASSY.	3 4420 10 11 690 30	P0565
10115664	LOCKING PIECES	3 4510 10 11 566 40	P0566
10115480	EXHAUST PIPE	3 4710 10 11 548 00	P0567
9079468	TRANSPORT DEVICE ATTACHEMENT	3 4800 90 79 468 00	P0568
9079823	TRANSPORT DEVICE ATTACHEMENT	3 4800 90 79 823 00	P0569
3 5			
10115577	FLYWHEEL HOUSING SAE1	3 5030 10 11 557 70	P0570
9076529	ENGINE CONTROL SENSORS	3 5125 90 76 529 00	P0571
9076529	ENGINE CONTROL SENSORS	3 5125 90 76 529 00	P0572
9076530	TEMPERATURE SENSOR	3 5130 90 76 530 00	P0573
9076531	PRESSURE TRANSMITTER CPL.	3 5130 90 76 531 00	P0574
9076534	ROTATIONAL SPEED SENSOR	3 5130 90 76 534 00	P0575
9076550	PRESSURE TRANSMITTER M 18X1,5	3 5130 90 76 550 00	P0576
9079206	ROTATIONAL SPEED SENSOR	3 5130 90 79 206 00	P0577
10116091	LOCKING PIECES D930/SRG/LWT	3 5210 10 11 609 10	P0578
10119128	LOCKING PIECES	3 5230 10 11 912 80	P0579
10118929	FLYWHEEL ASSEMBLY	3 5300 10 11 892 90	P0580
10115993	CONTROL BOX ANNEXE	3 5700 10 11 599 30	P0581
10116614	MOTOR CONTROL DEVICE 373KW-2000/MIN	3 5700 10 11 661 40	P0582
9080981	CABLE BOOM MOUNTING	3 5800 90 80 981 00	P0583
3 6			
9079893	LOCKING PIECES	3 6301 90 79 893 00	P0584
10118647	LOCKING PIECES	3 6530 10 11 864 70	P0585
9078249	LOCKING PIECES D930/NB-ABT	3 6530 90 78 249 00	P0586
9078301	LOCKING PIECES D930/NB-ABT SRG	3 6530 90 78 301 00	P0587
9080504	LOCKING PIECES D930/NA2 SRG L	3 6530 90 80 504 00	P0588
3 9			
10124222	SEAL KIT	3 9390 10 12 422 20	P0589
10124222	SEAL KIT	3 9390 10 12 422 20	P0590
10124222	SEAL KIT	3 9390 10 12 422 20	P0591
10124222	SEAL KIT	3 9390 10 12 422 20	P0592
10124222	SEAL KIT	3 9390 10 12 422 20	P0593
10118014	SEAL KIT AGGREGATE CARRIER	3 9391 10 11 801 40	P0594

TABLE OF CONTENTS

Article	Designation	Assembly draw	PAGE
10118014	SEAL KIT AGGREGATE CARRIER	3 9391 10 11 801 40	P0595
10118014	SEAL KIT AGGREGATE CARRIER	3 9391 10 11 801 40	P0596
5 5			
9400974	SEMI-U BLADE STD 4044MM	5 5050 94 00 974 00	P0597
9400703	SEMI-U-BLADE	5 5051 94 00 703 00	P0598
9400880	BEARING	5 5082 94 00 880 00	P0599
9790838	BEARING	5 5082 97 90 838 00	P0600
9790840	BEARING	5 5082 97 90 840 00	P0601
10307964	ROCK GUARD FOR SEMI U BLADE	5 5090 10 30 796 40	P0602
10316977	PUSH ARMS W/ TILT DEVICE	5 5150 10 31 697 70	P0603
10316977	PUSH ARMS W/ TILT DEVICE	5 5150 10 31 697 70	P0604
10316977	PUSH ARMS W/ TILT DEVICE	5 5150 10 31 697 70	P0605
10316977	PUSH ARMS W/ TILT DEVICE	5 5150 10 31 697 70	P0606
9406911	PUSH FRAME LEFT CPL.	5 5151 94 06 911 00	P0607
9406910	PUSH FRAME LEFT	5 5152 94 06 910 00	P0608
9406561	PUSH FRAME RIGHT CPL.	5 5155 94 06 561 00	P0609
9406562	THRUST FRAME,RIGHT	5 5156 94 06 562 00	P0610
9406902	STRUT	5 5157 94 06 902 00	P0611
10309063	HYDRAULIC CYLINDER	5 5159 10 30 906 30	P0612
9813132	PIN	5 5174 98 13 132 00	P0613
9791167	SUPPORT LEFT BEHIND	5 5175 97 91 167 00	P0614
9790281	PUSH FRAME LEFT	5 5178 97 90 281 00	P0615
9790288	THRUST FRAME,RIGHT	5 5178 97 90 288 00	P0616
9791175	SUPPORT RIGHT BEHIND	5 5179 97 91 175 00	P0617
9790641	PLATE	5 5180 97 90 641 00	P0618
9790649	PIN	5 5181 97 90 649 00	P0619
10317250	REAR RIPPER, SINGLE SHANK	5 5200 10 31 725 00	P0620
10317253	REAR RIPPER, SINGLE SHANK	5 5201 10 31 725 30	P0621
10317253	REAR RIPPER, SINGLE SHANK	5 5201 10 31 725 30	P0622
9400585	FRAME COMPLETE	5 5222 94 00 585 00	P0623
10305366	RIPPER TOOTH CPL.	5 5224 10 30 536 60	P0624
10310870	ARMAMENT RIPPER TOOTH	5 5224 10 31 087 00	P0625
9054743	PIN	5 5226 90 54 743 00	P0626
9584696	HYDRAULIC CYLINDER	5 5227 95 84 696 00	P0627
9584697	HYDRAULIC CYLINDER	5 5227 95 84 697 00	P0628
9282507	PISTON 160MM	5 5228 92 82 507 00	P0629
979			
0	See page ...	9797698	P0630
981			
0	See page ...	9812424	P0631
DOK			
0	See page ...	DOKU-1	P0632



Pos	Article	Qty	Page->	Description	Serie From	Serie To
300	94 00 503	1,000	P0054	HOIST CYLINDER BEARING		
400	94 04 656	1,000	P0061	ARRANGEMENT BELLY PAN		
			P0003	See page		

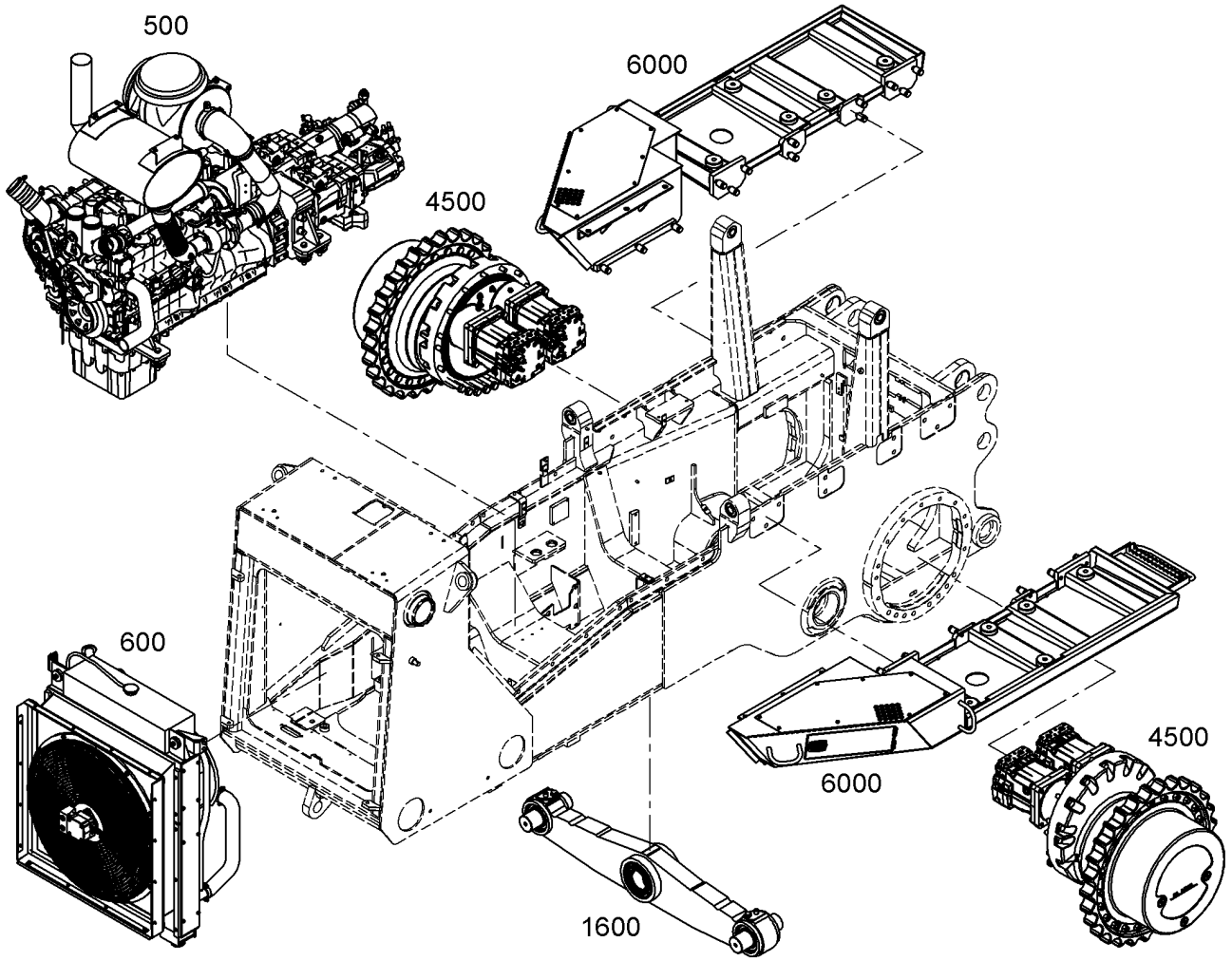
P0002

LIEBHERR

PR754012000
 PR754-990 LITRONIC
 2 0000 94 00 501 00

P0002

9400501_01



Pos	Article	Qty	Page->	Description	Serie From	Serie To
500	94 00 505	1,000	P0062	ENGINE PUMP ASSY.		
600	94 07 447	1,000	P0119	ENGINE COOLING SYSTEM		
1600	94 00 507	1,000	P0131	EQUALIZER-BAR AS		
4500	94 06 913	1,000	P0029	UNDERCARRIAGE DRIVE		
6000	94 00 509	1,000	P0133	INSTALLATION BRACKET		
			P0004	See page		

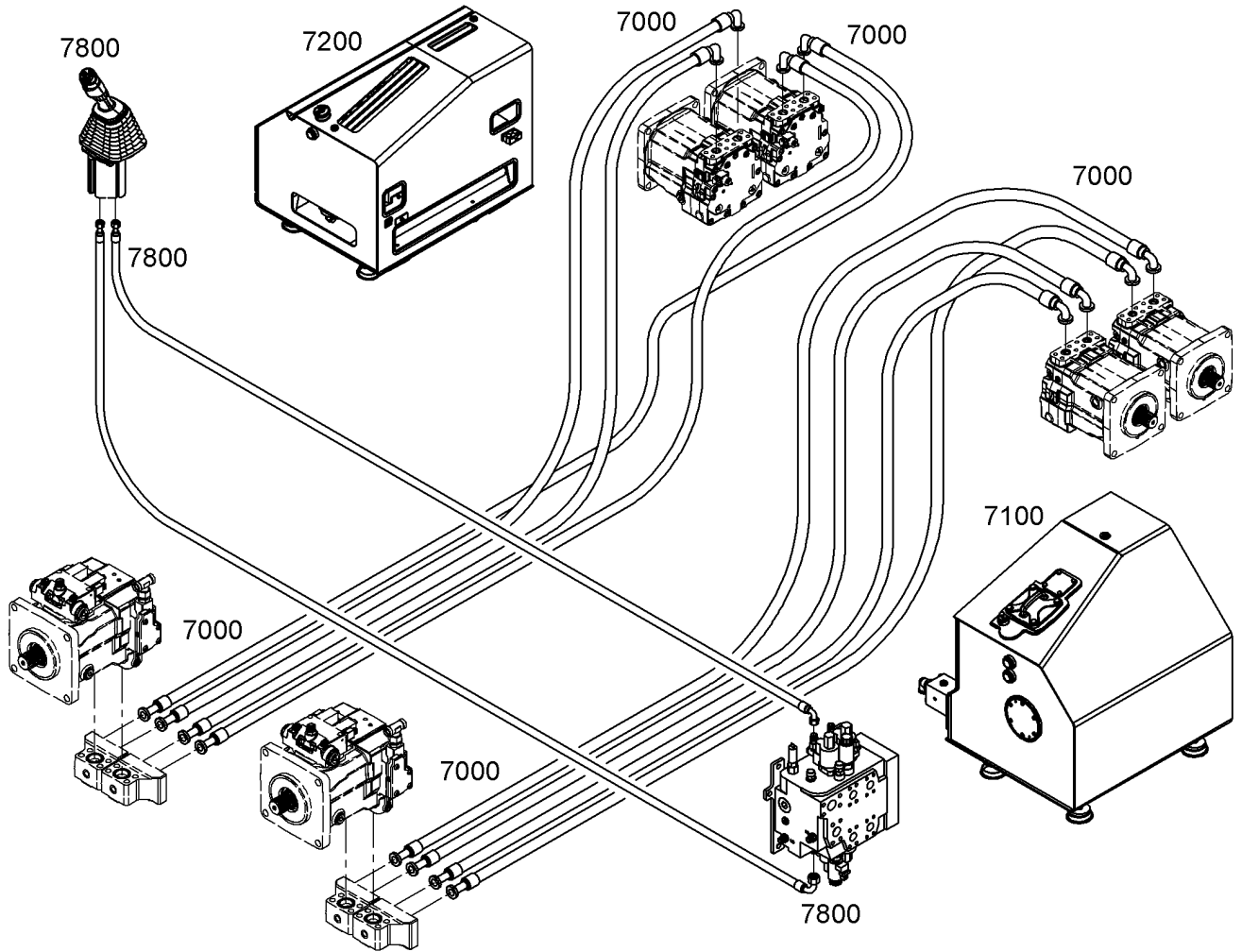
P0003

LIEBHERR

PR754012000
 PR754-990 LITRONIC
 2 0000 94 00 501 00

P0003

9400501_02



Pos	Article	Qty	Page->	Description	Serie From	Serie To
7000	94 00 510	1,000	P0140	TRAVEL HYDRAULIC		
7100	94 06 226	1,000	P0158	HYDRAULIC TANK INSTALLATION		
7200	94 05 462	1,000	P0165	OIL COOLER ASSEMBLY		
7800	94 00 511	1,000	P0176	WORKING HYDRAULIC		
			P0005	See page		

P0004

LIEBHERR

PR754012000
 PR754-990 LITRONIC
 2 0000 94 00 501 00

P0004

9400501_03