

2006 BUELL ULYSSES

SERVICE MANUAL

Part Number 99494-06Y

Section 1: Maintenance

Section 2: Chassis

Section 3: Engine

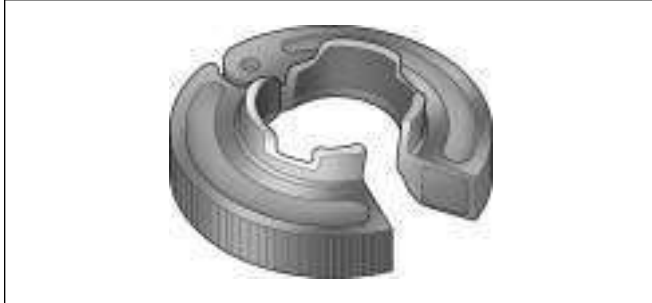
Section 4: Fuel System

Section 5: Starter

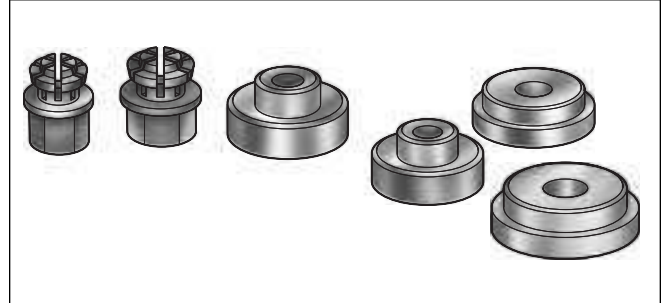
Section 6: Drive/Transmission

Section 7: Electrical

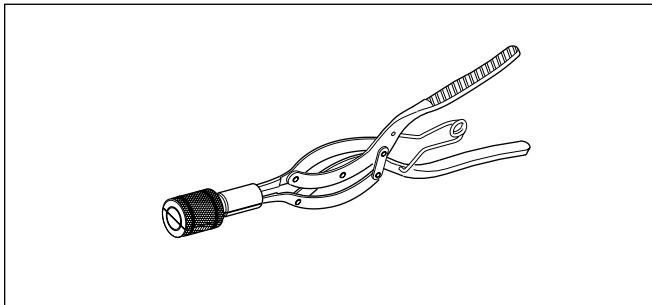
Appendices



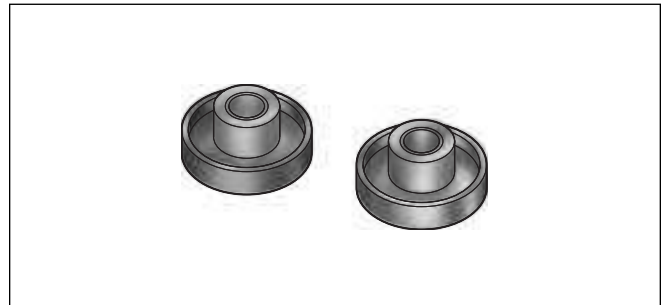
Part No. B-41623-B Oil Line Remover



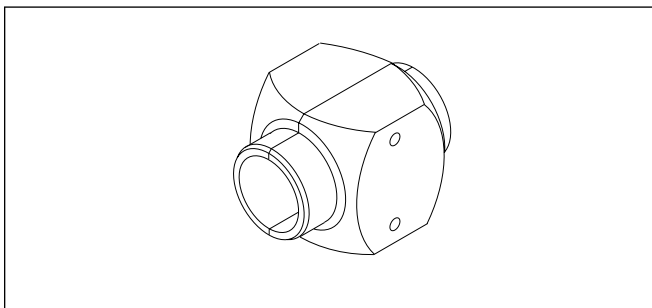
Part No. B-43993-7/-8 Wheel Bearing Collets



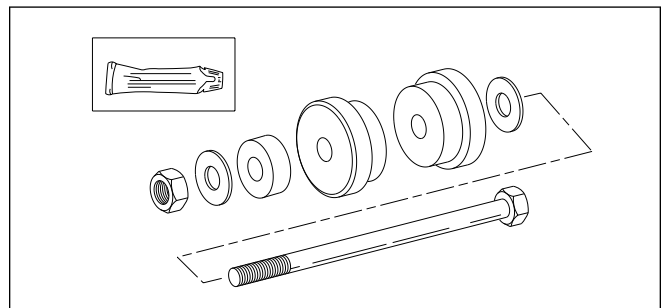
Part No. B-42887 Brake Caliper Piston Remover



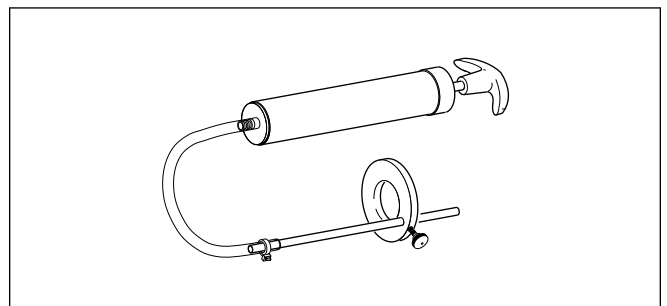
**Part No. B-45521 Steering Head Bearing Remover/
Installer**



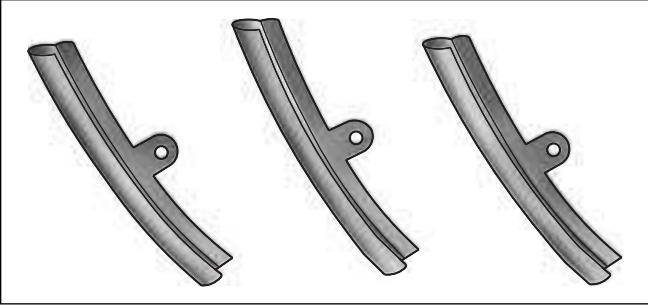
Part No. B-43721 Front Fork Seal Driver



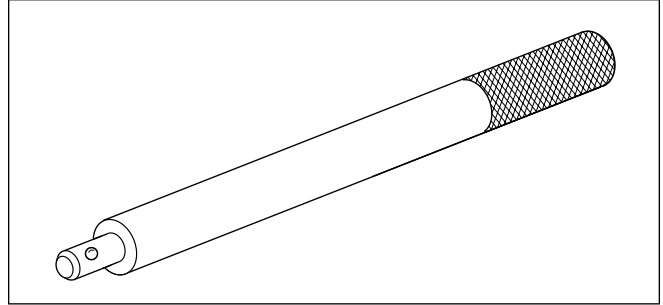
**Part No. HD-39302 Steering Head Bearing Race Installer
(Used with B-45521)**



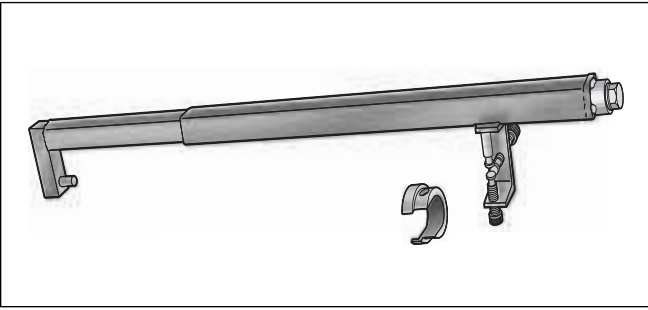
[HOME](#)



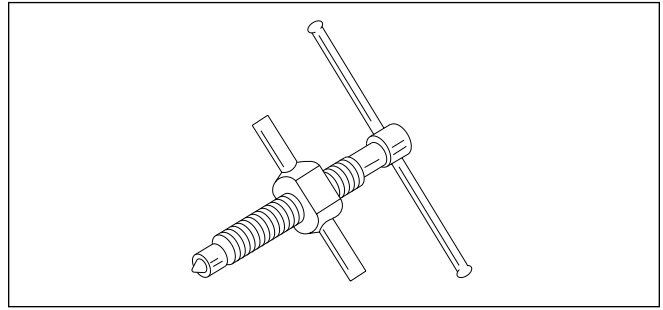
Part No. HD-01289 Rim Protectors



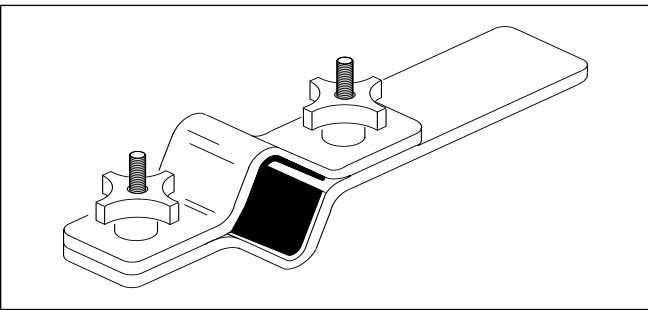
Part No. HD-33416 Universal Driver Handle



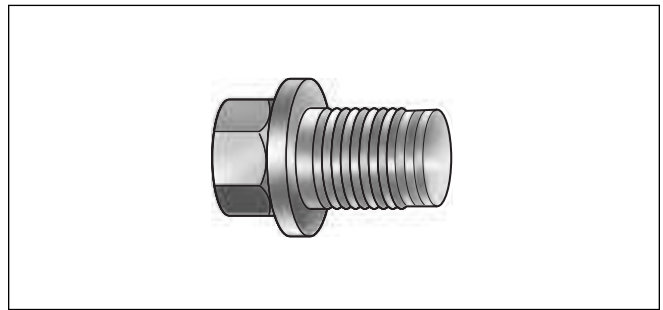
Part No. HD-45966 Fork Spring Compressing Tool



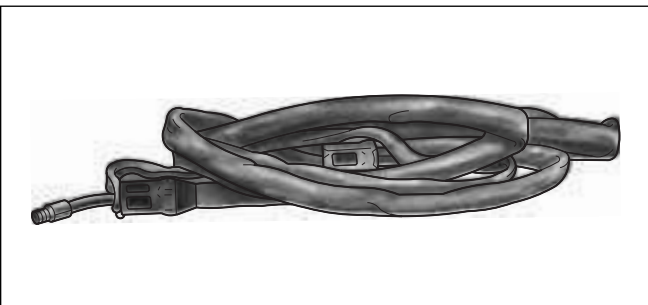
Part No. HD-33418 Universal Puller Forcing Screw



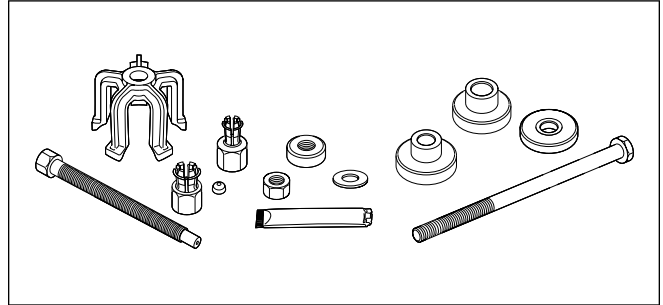
Part No. HD-41177 Fork Tube Holder



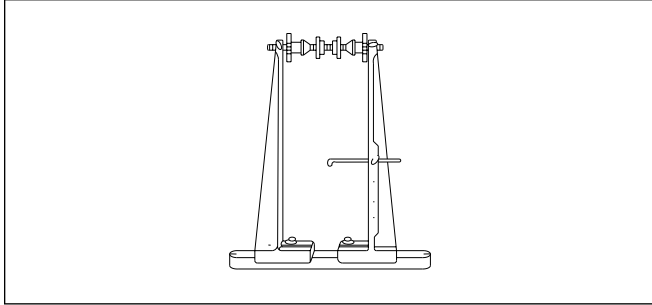
Part No. HD-B-45520 Gear Detent Assembly Aid



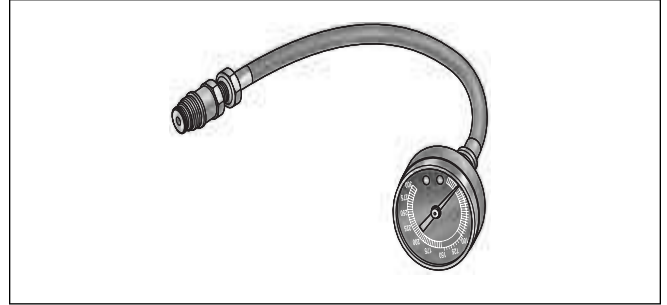
Part No. HD-28700 Tire Bead Expander



Part No. HD-44060 Wheel Bearing Remover/Installer



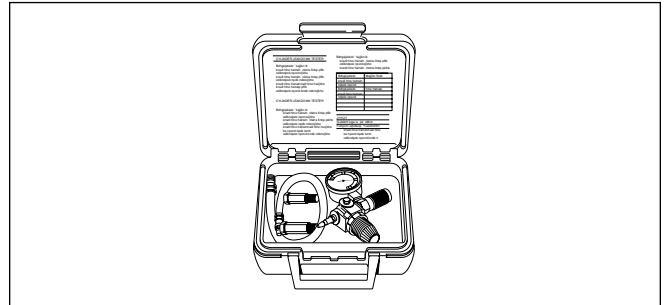
Part No. HD-99500-80 Wheel Truing and Balancing Stand



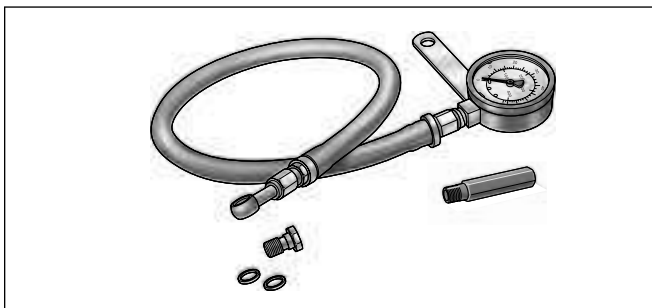
Part No. HD-33223-1 Cylinder Compression Gauge



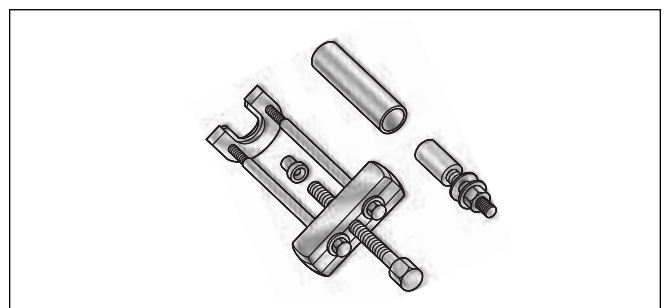
Part No. HD-35758-B Neway Valve Seat Cutter Set



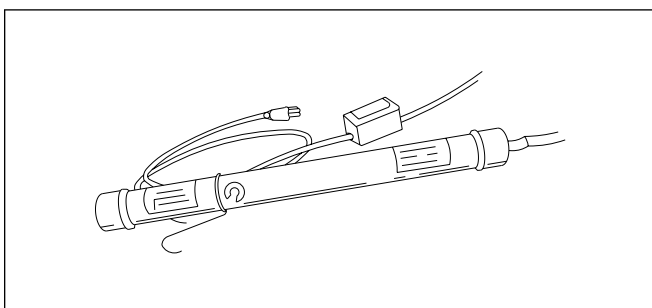
Part No. HD-35667A Cylinder Leakdown Tester



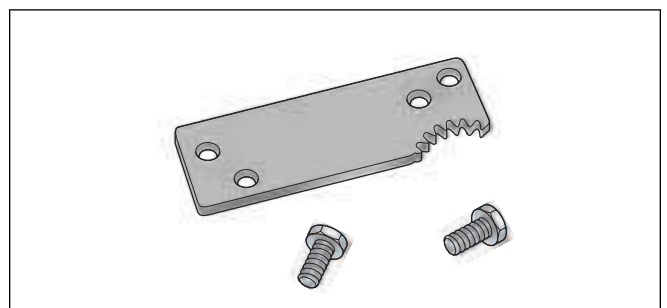
Part No. HD-96921-52A Oil Pressure Gauge



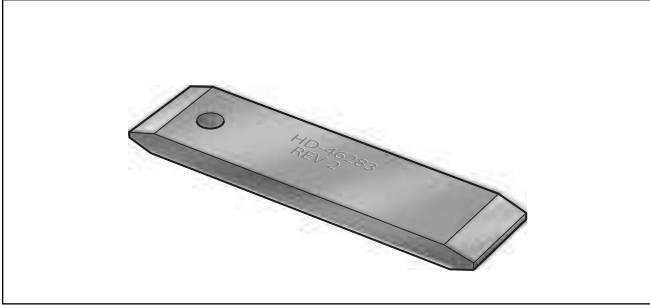
Part No. HD-34902-B Bearing Race Remover/Installer



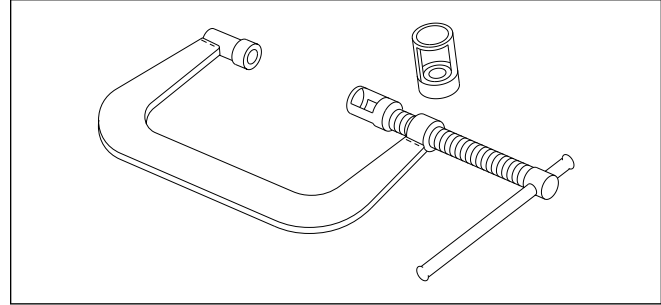
Part No. HD-35457 Black Light Leak Detector



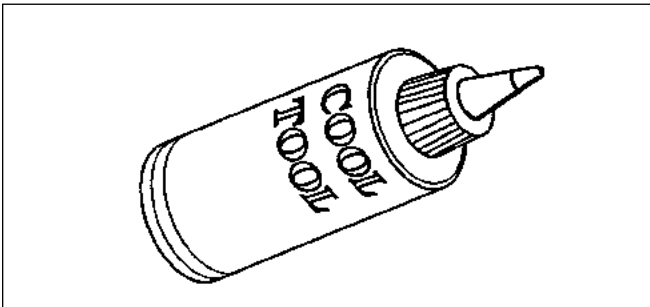
Part No. HD-43984 Crankshaft Locking Tool



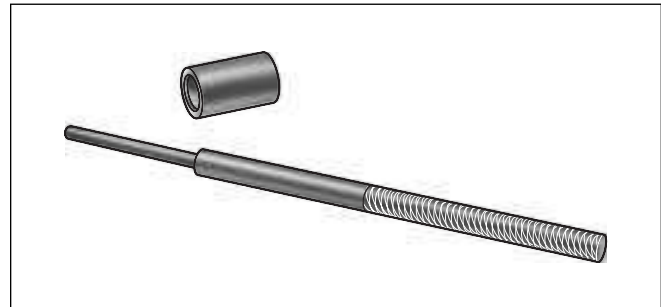
Part No. HD-46283 Primary Drive Locking Tool



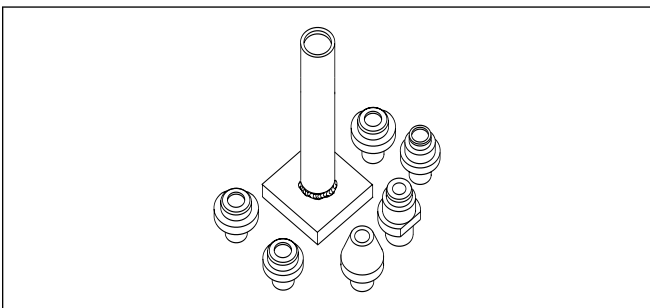
Part No. HD-34736B Valve Spring Compressor



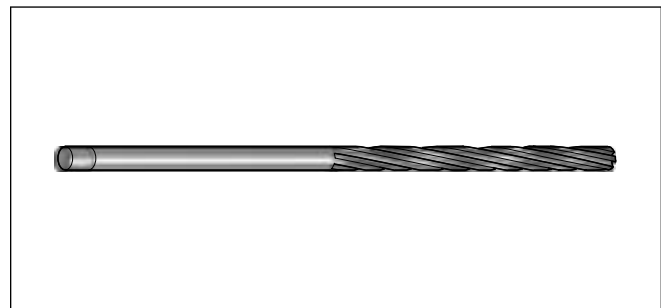
Part No. HD-39964 Reamer Lubricant (Cool Tool)



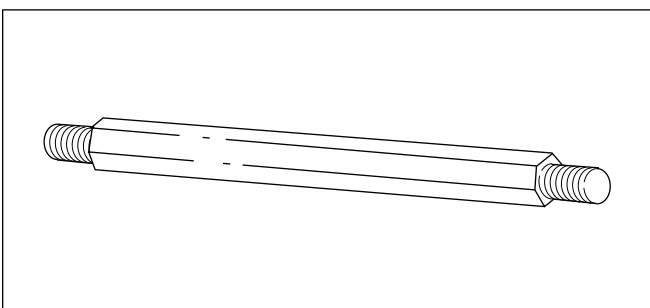
Part No. B-45524 Valve Guide Installer



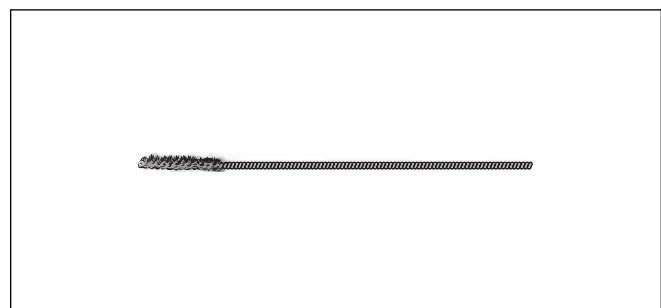
Part No. HD-39782 Cylinder Head Support



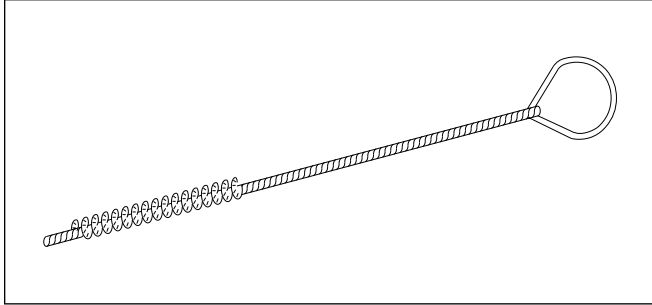
Part No. B-45523 Valve Guide Reamer (7mm)



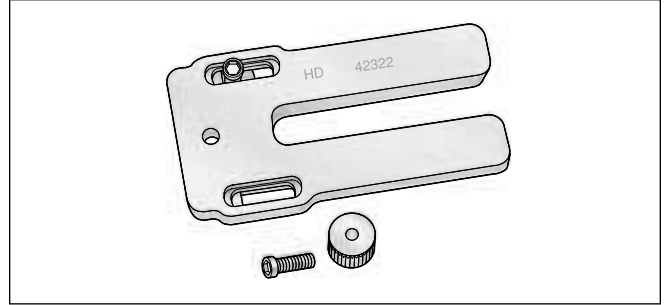
Part No. HD-39786 Cylinder Head Holding Fixture



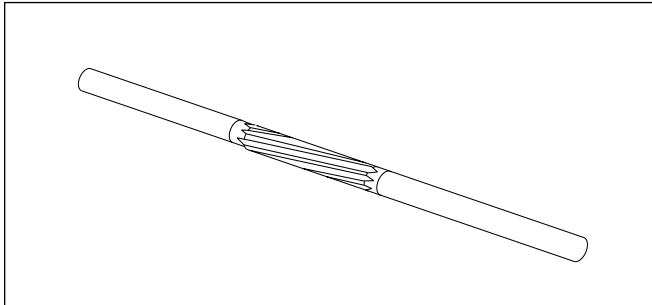
Part No. B-45525 Valve Guide Hone



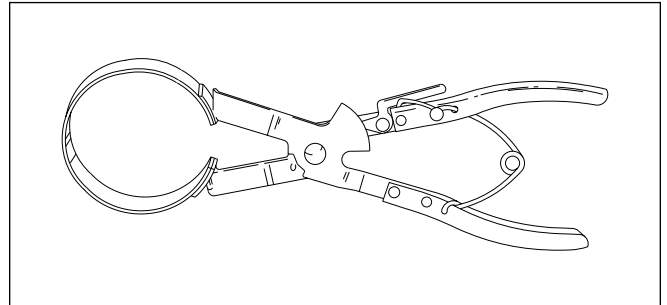
Part No. HD-34751 Nylon Valve Guide Brush



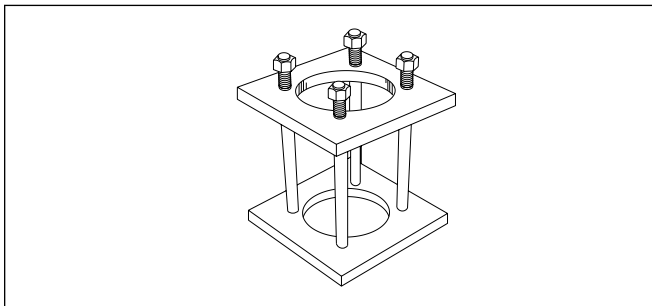
Part No. HD-42322 Piston Support Plate



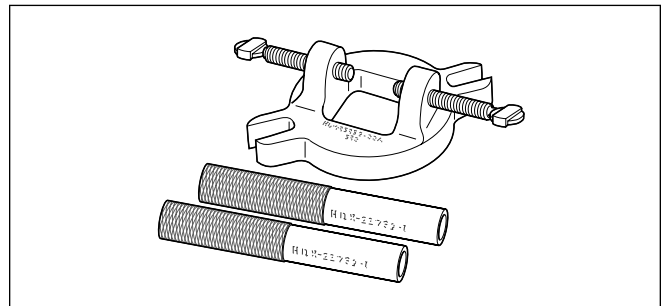
Part No. HD-94804-57 Rocker Arm Bushing Reamer



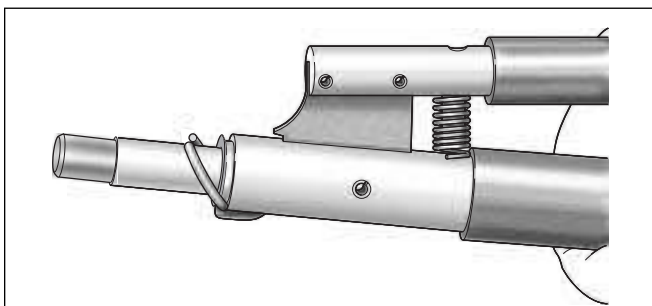
Part No. HD-96333-51C Piston Ring Compressor



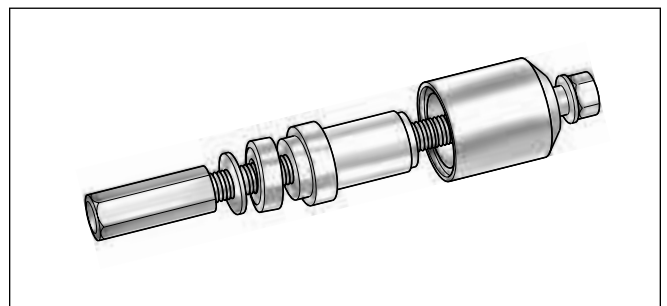
Part No. HD-33446A Cylinder Torque Plates and Torque Plate Bolts Part No. HD-33446-86



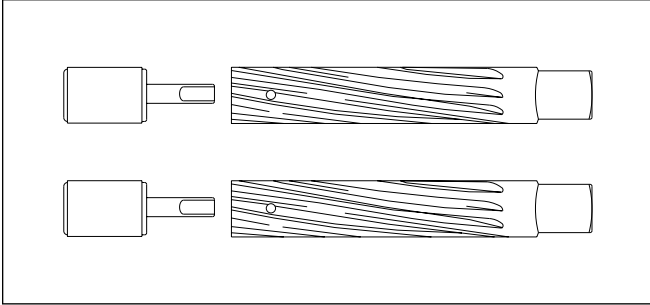
Part No. HD-95952-33B Connecting Rod Clamping Tool



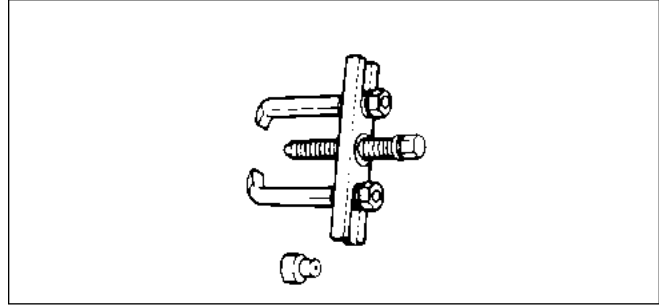
Part No. HD-34623C Piston Pin Retaining Ring Installer/Remover



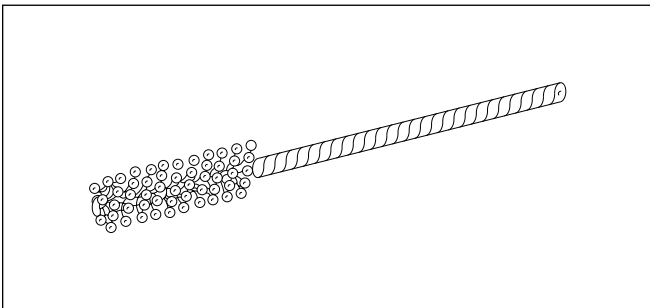
Part No. HD-95970-32D Piston Pin Bushing Tool



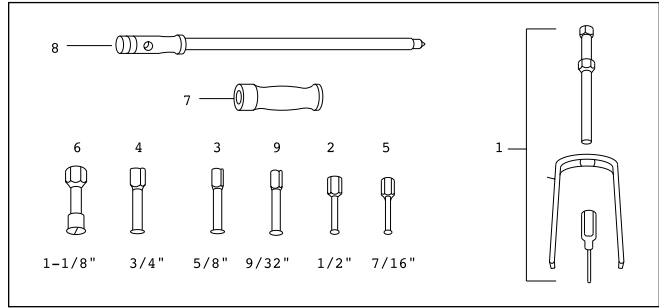
Part No. HD-94800-26A Connecting Rod Bushing Reamers and Pilots



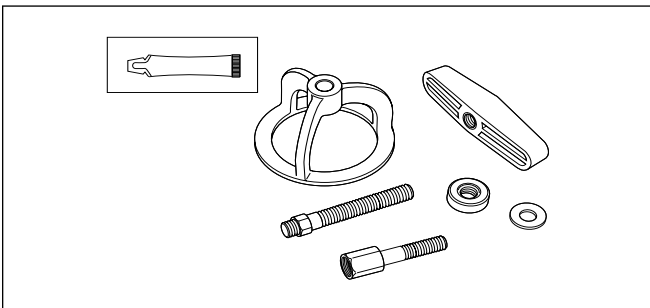
Part No. HD-97292-61 Two Claw Puller



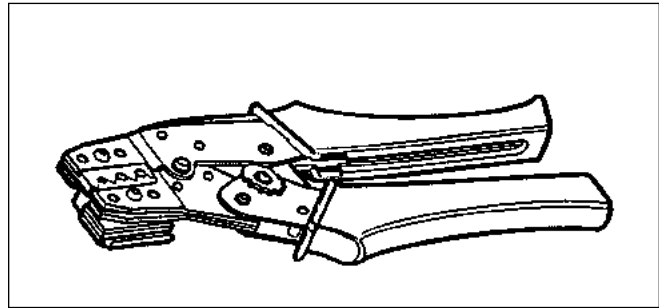
Part No. HD-35102 Wrist Pin Bushing Hone (20 mm)



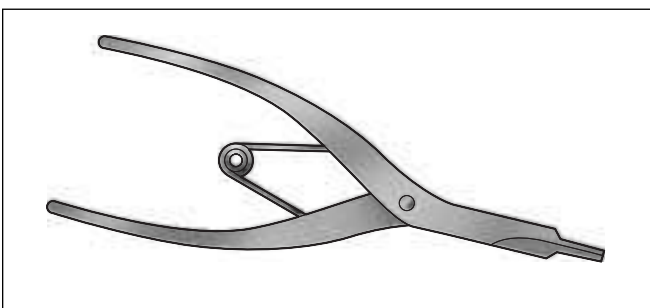
Part No. HD-95760-69A Bushing/Bearing Puller Tool Set.
Set includes items 1-5 and 9. Items 6 (HD-95769-69), 7 (HD-95770-69) and 8 (HD-95771-69) are optional.



Part No. HD-38515-A Clutch Spring Compressing Tool and Part No. HD-38515-91 Forcing Screw



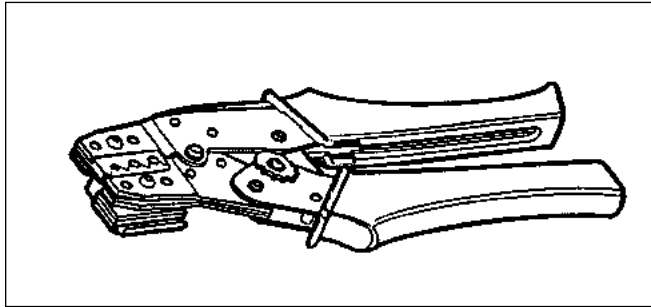
Part No. HD-39965 Deutsch Terminal Crimp Tool



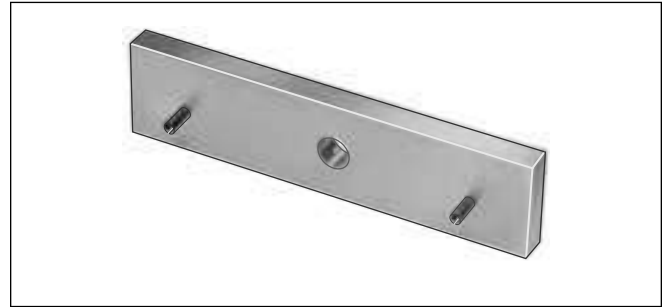
Part No. J-5586 Transmission Shaft Retaining Ring Pliers



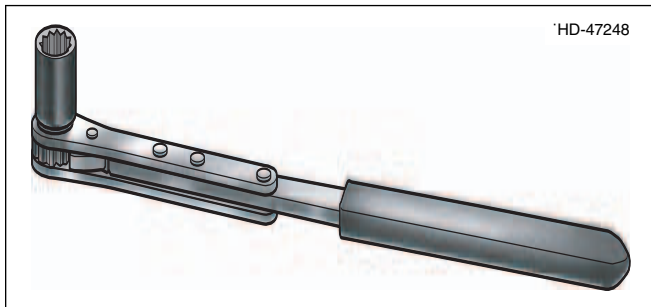
Part No. HD-41354 Speedometer Tester



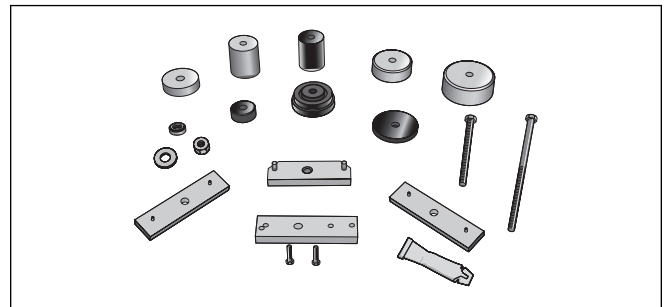
Part No. HD-41609 Amp Terminal Crimp Tool



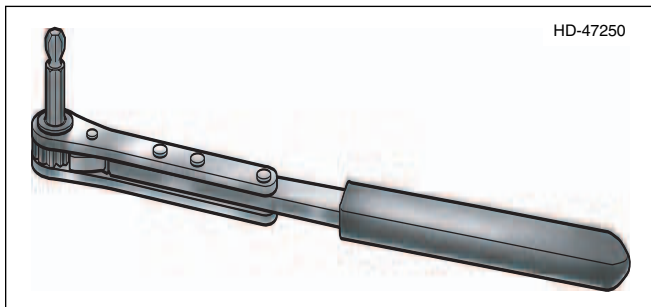
Part No. HD-45847 Cross Plate



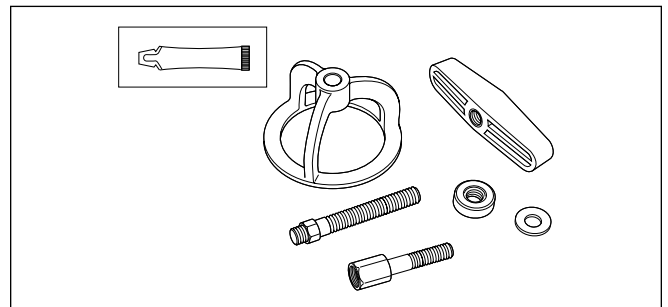
Part No. HD-47248 Rocker Housing Wrench



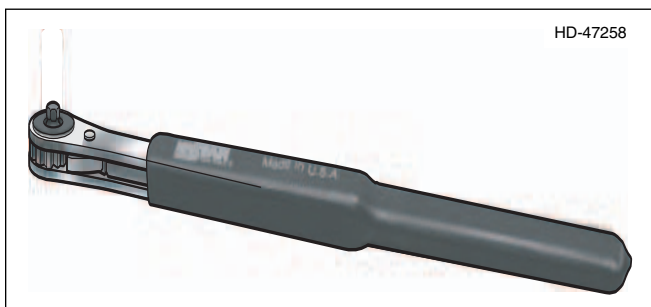
Part No. HD-35316-C Main Drive Gear Remover/Installer and Main Drive Gear Bearing Installer



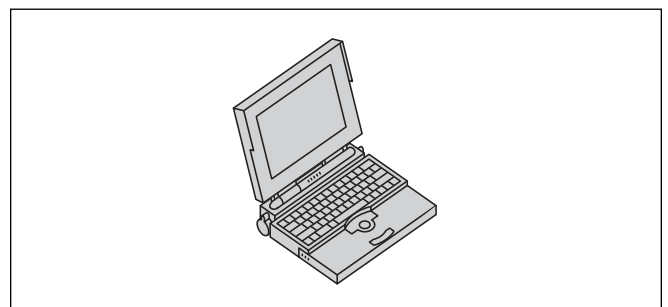
Part No. HD-47250 Intake Manifold Wrench



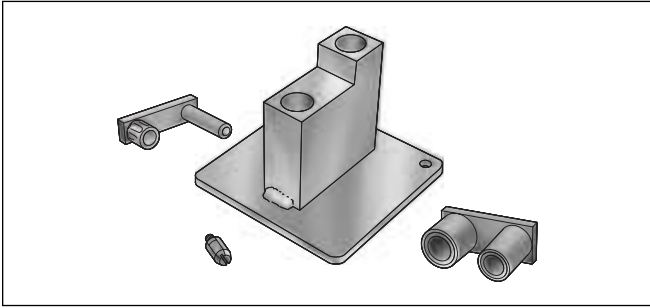
Part No. HD-38515-A Clutch Spring Compressor



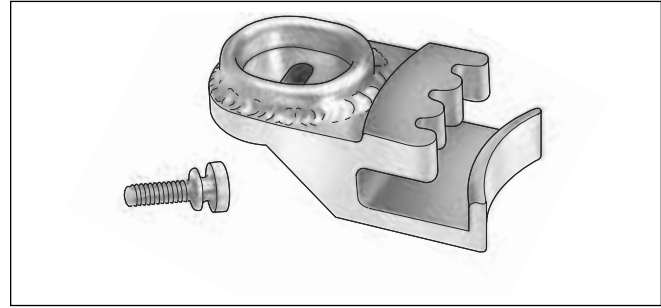
Part No. HD-47258 Rocker Cover Wrench



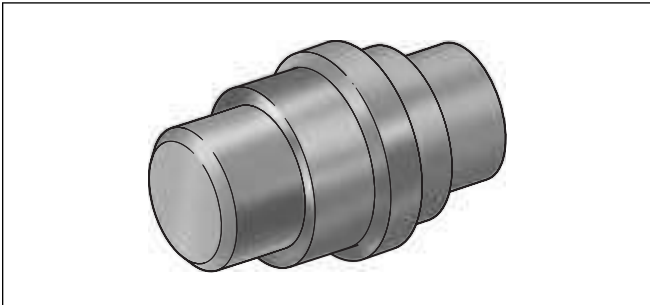
Part No. HD-44750-P29 Panasonic Toughbook (touch screen) and HD-44750-P50 Panasonic Toughbook (non-touch screen)



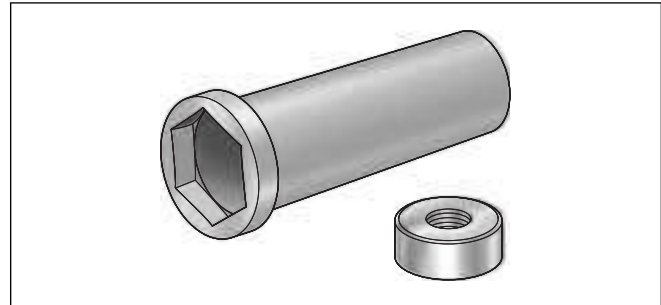
Part No. HD-46285 Transmission Assembly Fixture



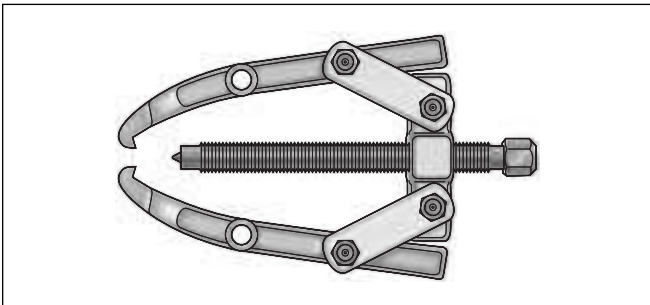
Part No. B43982 Transmission Locking Tool



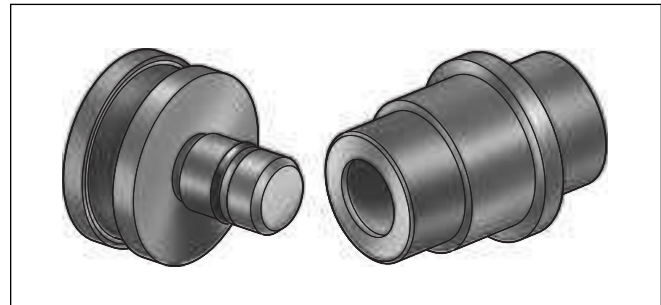
Part No. HD-47855 Main Drive Gear Needle Bearing Installer



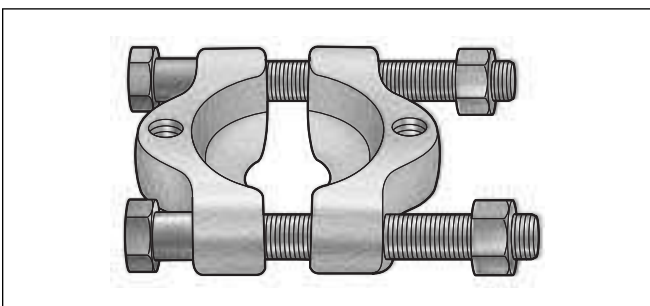
Part No. HD-94660-37B Mainshaft Locknut Wrench



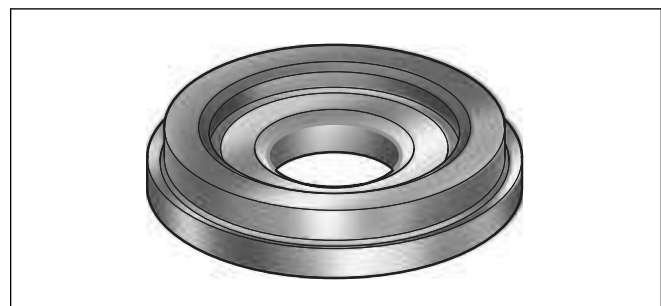
**Part No. HD-95635-46 All-Purpose Claw Puller
(use with HD-95637-46A)**



Part No. HD-45926 Clutch Shell Bearing Remover

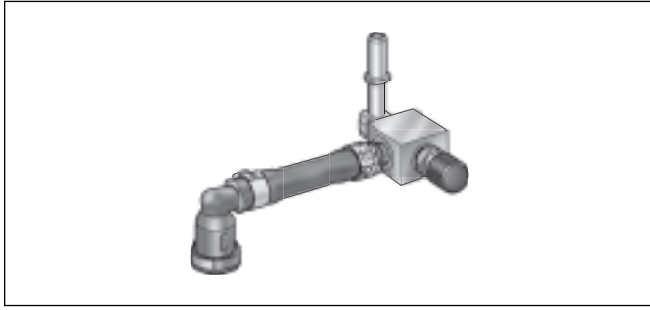


**Part No. HD-95637-46A Wedge Attachment for Claw Puller
(use with HD-95635-46)**

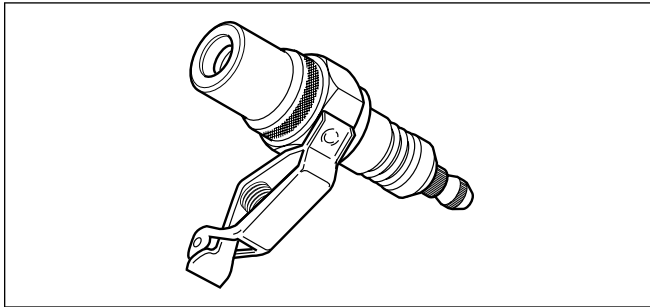


Part No. B-45676 Sprocket Shaft Seal Installer

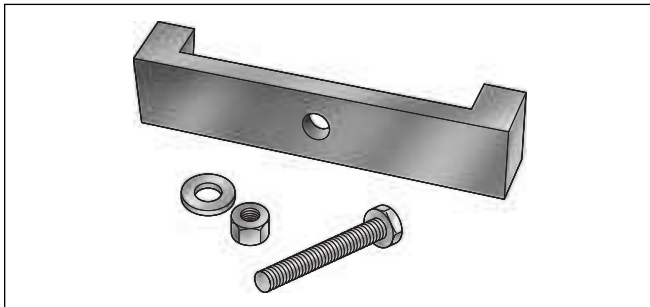
[HOME](#)



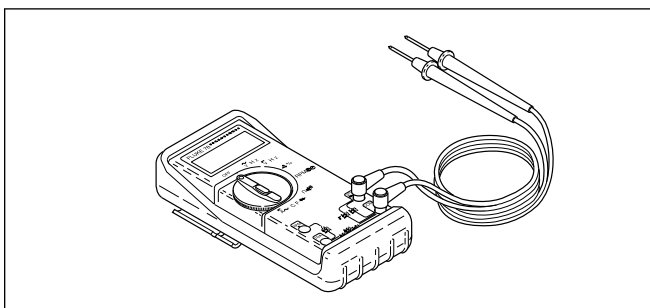
Part No. B-45522 Fuel Pressure Gauge Adapter



Part No. HD-26792 Spark Tester



Part No. B-45657 Fuel Pump Puller



Part No. HD-39978 Fluke 78 Multimeter (DVOM)F