

PIONEERING SINCE 1903

REPAIR MANUAL 2014



FC 450 EU

Art. no. 3403000en



Husqvarna[®]
MOTORCYCLES

INTRODUCTION

Read this repair manual carefully and thoroughly before beginning work.

The vehicle will only be able to meet the demands placed on it if the specified service work is performed regularly and properly.

This repair manual was written to correspond to the latest state of this model series. We reserve the right to make changes in the interest of technical advancement without updating this repair manual at the same time.

We shall not provide a description of general workshop methods. Likewise, safety rules that apply in a workshop are not specified here. It is assumed that the repair work will be performed by a fully trained mechanic.

All specifications are non-binding. Husqvarna Motorcycles GmbH specifically reserves the right to modify or delete technical specifications, prices, colors, forms, materials, services, designs, equipment, etc., without prior notice and without specifying reasons, to adapt these to local conditions, as well as to stop production of a particular model without prior notice. Husqvarna accepts no liability for delivery options, deviations from illustrations and descriptions, as well as misprints and other errors. The models portrayed partly contain special equipment that does not belong to the regular scope of supply.

© 2015 Husqvarna Motorcycles GmbH, Mattighofen Austria

All rights reserved

Reproduction, even in part, as well as copying of all kinds, is permitted only with the express written permission of the copyright owner.



ISO 9001(12 100 6061)

Husqvarna Motorcycles applies quality assurance processes that lead to the highest possible product quality as defined in the ISO 9001 international quality management standard.

Issued by: TÜV Management Service

REG.NO. 12 100 6061

Husqvarna Motorcycles GmbH

5230 Mattighofen, Austria



TABLE OF CONTENTS

1	MEANS OF REPRESENTATION.....	6	6.32	Changing the steering head bearing.....	40
	1.1 Symbols used	6	6.33	Adjusting the steering head bearing play	41
	1.2 Formats used.....	6	7	HANDLEBAR, CONTROLS.....	42
2	SAFETY ADVICE	7	7.1	Handlebar position.....	42
	2.1 Repair Manual.....	7	7.2	Adjusting the handlebar position	42
	2.2 Safety advice	7	7.3	Adjusting the basic position of the clutch lever	42
	2.3 Degrees of risk and symbols	7	7.4	Checking the throttle cable routing	43
	2.4 Work rules.....	7	7.5	Checking the play in the throttle cable	43
3	IMPORTANT NOTES	8	7.6	Adjusting the play in the throttle cable	44
	3.1 Manufacturer and implied warranty	8	8	FRAME	45
	3.2 Operating and auxiliary substances	8	8.1	Checking the frame.....	45
	3.3 Spare parts, accessories	8	9	SHOCK ABSORBER, SWINGARM.....	46
	3.4 Figures	8	9.1	Adjusting the high-speed compression damping of the shock absorber.....	46
4	SERIAL NUMBERS.....	9	9.2	Adjusting the low-speed compression damping of the shock absorber.....	46
	4.1 Chassis number	9	9.3	Adjusting the rebound damping of the shock absorber.....	47
	4.2 Type label.....	9	9.4	Measuring rear wheel sag unloaded.....	47
	4.3 Engine number.....	9	9.5	Checking the static sag of the shock absorber.....	47
	4.4 Fork part number	9	9.6	Checking the riding sag of the shock absorber.....	48
	4.5 Shock absorber article number	9	9.7	Adjusting the spring preload of the shock absorber.....	48
5	MOTORCYCLE.....	10	9.8	Adjusting the riding sag	49
	5.1 Raising the motorcycle with a lift stand.....	10	9.9	Removing the shock absorber.....	49
	5.2 Removing the motorcycle from the lift stand.....	10	9.10	Installing the shock absorber.....	50
	5.3 Starting	10	9.11	Checking the shock absorber linkage	51
	5.4 Starting the motorcycle for a check.....	11	9.12	Servicing the shock absorber	53
6	FORK, TRIPLE CLAMP	12	9.13	Removing the spring.....	54
	6.1 Adjusting the compression damping of the fork.....	12	9.14	Disassembling the damper	54
	6.2 Adjusting the rebound damping of the fork.....	12	9.15	Disassembling the piston rod	55
	6.3 Bleeding the fork legs	12	9.16	Disassembling the seal ring retainer	56
	6.4 Cleaning the dust boots of the fork legs.....	13	9.17	Changing the pilot bushing.....	57
	6.5 Loosening the fork protection.....	13	9.18	Checking the damper	58
	6.6 Positioning the fork protection.....	13	9.19	Removing the heim joint	58
	6.7 Removing the fork legs	14	9.20	Installing the heim joint	59
	6.8 Installing the fork legs	14	9.21	Assembling the seal ring retainer.....	60
	6.9 Removing the fork protector.....	15	9.22	Assembling the piston rod.....	61
	6.10 Installing the fork protector.....	15	9.23	Assembling the damper.....	62
	6.11 Conducting major fork service.....	15	9.24	Bleeding and filling the damper	64
	6.12 Conducting minor fork service.....	16	9.25	Filling the damper with nitrogen	66
	6.13 Disassembling the fork legs.....	16	9.26	Installing the spring.....	67
	6.14 Disassembling the cartridge	19	9.27	Checking the swingarm	68
	6.15 Disassembling the piston rod	21	9.28	Removing the swingarm	68
	6.16 Disassembling the screw cap with the membrane holder.....	22	9.29	Installing the swingarm	69
	6.17 Disassembling the screw sleeve.....	23	9.30	Changing the swingarm bearing.....	70
	6.18 Checking the fork legs	24	10	EXHAUST	73
	6.19 Checking the fork legs - during a minor fork service.....	25	10.1	Removing the manifold	73
	6.20 Changing the pilot bushing.....	26	10.2	Installing the manifold.....	73
	6.21 Assembling the screw sleeve	27	10.3	Removing the main silencer.....	74
	6.22 Assembling the screw cap with the membrane holder.....	27	10.4	Installing the main silencer.....	74
	6.23 Assembling the piston rod	28	10.5	Changing the glass fiber yarn filling of the main silencer	74
	6.24 Assembling the cartridge	30	11	AIR FILTER	76
	6.25 Assembling the fork legs	31	11.1	Removing the air filter box lid	76
	6.26 Bleeding and filling the cartridge	34	11.2	Installing the air filter box lid	76
	6.27 Filling the cartridge with nitrogen	36	11.3	Removing the air filter	76
	6.28 Greasing the steering head bearing.....	37			
	6.29 Removing the lower triple clamp	37			
	6.30 Installing the lower triple clamp	38			
	6.31 Checking the steering head bearing play	39			

TABLE OF CONTENTS

11.4	Installing the air filter	76	16.4	Adjusting the basic position of the hand brake lever	111
11.5	Cleaning the air filter and air filter box	77	16.5	Checking the brake fluid level of the front brake	111
11.6	Sealing the air filter box	77	16.6	Adding front brake fluid	112
12	FUEL TANK, SEAT, TRIM	78	16.7	Changing the front brake fluid	113
12.1	Opening the filler cap	78	16.8	Checking the rear brake linings	114
12.2	Closing the filler cap	78	16.9	Changing the rear brake linings	114
12.3	Removing the right side cover	78	16.10	Checking the free travel of foot brake lever	116
12.4	Installing the right side cover	79	16.11	Adjusting the basic position of the foot brake lever	116
12.5	Removing the seat	79	16.12	Checking the rear brake fluid level	116
12.6	Mounting the seat	79	16.13	Adding rear brake fluid	117
12.7	Removing the fuel tank	79	16.14	Changing the rear brake fluid	118
12.8	Installing the fuel tank	80	17	ENGINE	120
12.9	Checking the fuel pressure	81	17.1	Removing the engine	120
12.10	Changing the fuel pump	82	17.2	Installing the engine	124
12.11	Changing the fuel filter	84	17.3	Engine disassembly	129
12.12	Changing the fuel screen	86	17.3.1	Preparations	129
13	MASK, FENDER	88	17.3.2	Draining the engine oil	129
13.1	Removing the front fender	88	17.3.3	Removing the clutch push rod	130
13.2	Installing the front fender	88	17.3.4	Removing the oil filter	130
13.3	Removing the start number plate	88	17.3.5	Removing the starter motor	130
13.4	Installing the start number plate	89	17.3.6	Removing the spark plug	130
14	WHEELS	90	17.3.7	Removing the valve cover	131
14.1	Checking the tire air pressure	90	17.3.8	Removing the alternator cover	131
14.2	Checking the tire condition	90	17.3.9	Positioning the engine at ignition top dead center	131
14.3	Checking the brake discs	90	17.3.10	Removing the timing chain tensioner	132
14.4	Checking the spoke tension	91	17.3.11	Removing the camshaft	132
14.5	Front wheel	92	17.3.12	Removing the cylinder head	133
14.5.1	Removing the front wheel	92	17.3.13	Removing the piston	133
14.5.2	Installing the front wheel	92	17.3.14	Removing the rotor	134
14.5.3	Removing the brake disc of the front brake	93	17.3.15	Removing the timing chain	134
14.5.4	Installing the brake disc of the front brake	93	17.3.16	Removing the ignition pulse generator	135
14.5.5	Changing the front wheel bearing	93	17.3.17	Removing the suction pump	135
14.6	Rear wheel	95	17.3.18	Removing the water pump cover	135
14.6.1	Removing the rear wheel	95	17.3.19	Removing the clutch cover	136
14.6.2	Installing the rear wheel	95	17.3.20	Removing the clutch discs	136
14.6.3	Removing the brake disc of the rear brake	96	17.3.21	Removing the outer clutch hub	137
14.6.4	Installing the brake disc of the rear brake	96	17.3.22	Removing the torque limiter	138
14.6.5	Checking the chain tension	97	17.3.23	Removing the starter idler gear	138
14.6.6	Adjusting the chain tension	97	17.3.24	Removing the shift shaft	138
14.6.7	Adjusting the chain guide	98	17.3.25	Removing the shift drum locating unit	138
14.6.8	Checking the chain, rear sprocket, engine sprocket, and chain guide	98	17.3.26	Removing the locking lever	139
14.6.9	Checking for chain dirt accumulation	100	17.3.27	Removing the force pump	139
14.6.10	Cleaning the chain	100	17.3.28	Removing the primary gear	140
14.6.11	Changing the drivetrain kit	101	17.3.29	Removing the freewheel gear	140
14.6.12	Changing the rear wheel bearing	102	17.3.30	Removing the left engine case section	140
15	WIRING HARNESS, BATTERY	105	17.3.31	Removing the shift rails	141
15.1	Changing the main fuse	105	17.3.32	Removing the shift drum	141
15.2	Removing the battery	105	17.3.33	Removing the shift forks	141
15.3	Installing the battery	106	17.3.34	Removing the transmission shafts	142
15.4	Checking the charging voltage	106	17.3.35	Removing the crankshaft	142
15.5	Checking the quiescent current	106	17.4	Work on individual parts	142
15.6	Checking the capacitor	107	17.4.1	Work on the right section of the engine case	142
15.7	Checking the starter relay	107	17.4.2	Work on the left section of the engine case	144
16	BRAKE SYSTEM	109			
16.1	Checking the front brake linings	109			
16.2	Changing the front brake linings	109			
16.3	Checking the free travel of the hand brake lever	110			

TABLE OF CONTENTS

17.4.3	Removing the oil pressure regulator valve	145	17.5.12	Installing the shift shaft	173
17.4.4	Checking spring length of oil pressure regulator valve	145	17.5.13	Installing the starter idler gear	173
17.4.5	Installing the oil pressure regulator valve	146	17.5.14	Installing the torque limiter	173
17.4.6	Changing the crankshaft seal ring in the clutch cover	146	17.5.15	Installing the outer clutch hub	173
17.4.7	Removing the water pump	146	17.5.16	Installing the clutch discs	174
17.4.8	Installing the water pump	147	17.5.17	Installing the clutch cover	176
17.4.9	Removing the timing chain sprocket	148	17.5.18	Installing the water pump cover	177
17.4.10	Installing the timing chain sprocket	148	17.5.19	Installing the suction pump	177
17.4.11	Changing the connecting rod, conrod bearing, and crank pin	148	17.5.20	Installing the ignition pulse generator	177
17.4.12	Checking crankshaft run-out at bearing pin	150	17.5.21	Installing the timing chain	178
17.4.13	Cylinder - Nikasil® coating	150	17.5.22	Installing the rotor	178
17.4.14	Checking/measuring the cylinder	150	17.5.23	Installing the piston	178
17.4.15	Checking/measuring the piston	151	17.5.24	Installing the cylinder head	180
17.4.16	Checking the piston ring end gap	151	17.5.25	Installing the camshaft	181
17.4.17	Measuring the piston/cylinder mounting clearance	152	17.5.26	Installing the timing chain tensioner	181
17.4.18	Checking the oil pumps	152	17.5.27	Checking the valve clearance	182
17.4.19	Disassembling the autodecompressor	152	17.5.28	Adjusting the valve clearance	182
17.4.20	Assembling the autodecompressor	153	17.5.29	Installing the alternator cover	183
17.4.21	Checking camshaft	154	17.5.30	Installing the valve cover	183
17.4.22	Checking the timing assembly	154	17.5.31	Installing the spark plug	183
17.4.23	Removing the rocker arm	155	17.5.32	Installing the starter motor	184
17.4.24	Removing the valves	155	17.5.33	Installing the oil filter	184
17.4.25	Changing camshaft bearing	156	17.5.34	Installing the clutch push rod	184
17.4.26	Checking the valves	156	17.5.35	Installing the oil screens	184
17.4.27	Checking valve springs	157	17.5.36	Removing the engine from the engine assembly stand	185
17.4.28	Checking valve spring seat	157	18	CLUTCH	186
17.4.29	Checking the cylinder head	157	18.1	Checking/correcting the fluid level of the hydraulic clutch	186
17.4.30	Checking the rocker arm shafts	158	18.2	Changing the hydraulic clutch fluid	186
17.4.31	Installing the valves	158	19	WATER PUMP, COOLING SYSTEM	187
17.4.32	Installing the rocker arm	159	19.1	Cooling system	187
17.4.33	Checking the clutch	160	19.2	Checking the antifreeze and coolant level	187
17.4.34	Checking the shift mechanism	161	19.3	Checking the coolant level	188
17.4.35	Preassembling the shift shaft	162	19.4	Draining the coolant	188
17.4.36	Disassembling the main shaft	163	19.5	Refilling coolant	189
17.4.37	Disassembling the countershaft	163	20	LUBRICATION SYSTEM	190
17.4.38	Checking the transmission	164	20.1	Oil circuit	190
17.4.39	Assembling the main shaft	165	20.2	Checking the engine oil level	190
17.4.40	Assembling the countershaft	166	20.3	Changing the engine oil and oil filter, cleaning the oil screens	191
17.4.41	Checking the starter drive	167	20.4	Adding engine oil	193
17.4.42	Checking the freewheel	167	20.5	Checking the engine oil pressure	193
17.4.43	Removing the freewheel	168	21	IGNITION SYSTEM	195
17.4.44	Installing the freewheel	168	21.1	Ignition coil - checking the secondary winding	195
17.5	Engine assembly	169	21.2	Checking the spark plug connector	195
17.5.1	Installing the crankshaft	169	21.3	Alternator - checking stator winding	195
17.5.2	Installing the transmission shafts	169	21.4	Removing the stator	196
17.5.3	Installing the shift forks	169	21.5	Installing the stator	196
17.5.4	Installing the shift drum	170	22	ELECTRIC STARTER	197
17.5.5	Installing the shift rails	170	22.1	Checking the starter motor	197
17.5.6	Installing the left engine case	170	23	THROTTLE VALVE BODY	198
17.5.7	Installing the freewheel gear	171	23.1	Adjusting the idle speed	198
17.5.8	Installing the primary gear	171	23.2	Executing the initialization run	198
17.5.9	Installing the force pump	171	24	TECHNICAL DATA	200
17.5.10	Installing the locking lever	172	24.1	Engine	200
17.5.11	Installing the shift drum locating unit	173	24.2	Engine tolerance, wear limits	200
			24.3	Engine tightening torques	201

TABLE OF CONTENTS

24.4	Capacities	202
24.4.1	Engine oil.....	202
24.4.2	Coolant.....	202
24.4.3	Fuel.....	202
24.5	Chassis	202
24.6	Electrical system.....	203
24.7	Tires	203
24.8	Fork.....	203
24.9	Shock absorber	204
24.10	Chassis tightening torques	204
25	CLEANING/PROTECTIVE TREATMENT	206
25.1	Cleaning the motorcycle.....	206
26	STORAGE.....	207
26.1	Storage	207
26.2	Preparing for use after storage	207
27	SERVICE SCHEDULE.....	208
27.1	Service schedule.....	208
27.2	Service work (as additional order)	209
28	WIRING DIAGRAM	210
28.1	Page 1 of 3.....	210
28.2	Page 2 of 3.....	212
28.3	Page 3 of 3.....	214
29	SUBSTANCES.....	216
30	AUXILIARY SUBSTANCES.....	217
31	SPECIAL TOOLS.....	219
32	STANDARDS	233
	INDEX	234

1.1 Symbols used

The meaning of specific symbols is described below.



Indicates an expected reaction (e.g. of a work step or a function).



Indicates an unexpected reaction (e.g. of a work step or a function).



Indicates a page reference (more information is provided on the specified page).



Indicates information with more details or tips.



Indicates the result of a testing step.



Denotes a voltage measurement.



Denotes a current measurement.



Denotes a resistance measurement.

1.2 Formats used

The typographical formats used in this document are explained below.

Proprietary name	Identifies a proprietary name.
Name[®]	Identifies a protected name.
Brand[™]	Identifies a trademark.
<u>Underlined terms</u>	Refer to technical details of the vehicle or indicate technical terms, which are explained in the glossary.

2.1 Repair Manual

Read this Repair Manual carefully and thoroughly before beginning work. It contains useful information and tips that will help you repair and maintain your vehicle.

This manual assumes that the necessary special Husqvarna tools and Husqvarna workplace and workshop equipment are available.

2.2 Safety advice

A number of safety instructions need to be followed to operate the vehicle safely. Therefore, read this manual carefully. The safety instructions are highlighted in the text and are referred to at the relevant passages.

Info

The vehicle has various information and warning labels at prominent locations. Do not remove information/warning labels. If they are missing, you or others may not recognize dangers and may therefore be injured.

2.3 Degrees of risk and symbols



Danger

Indicates a danger that will immediately and invariably lead to fatal or serious permanent injury if the appropriate measures are not taken.



Warning

Indicates a danger that is likely to lead to fatal or serious injury if the appropriate measures are not taken.



Caution

Indicates a danger that may lead to minor injuries if the appropriate measures are not taken.

Note

Indicates a danger that will lead to considerable machine and material damage if the appropriate measures are not taken.



Warning

Indicates a danger that will lead to environmental damage if the appropriate measures are not taken.

2.4 Work rules

Special tools are necessary for certain tasks. The tools are not contained in the vehicle but can be ordered under the number in parentheses. E.g.: bearing puller (15112017000)

During assembly, non-reusable parts (e.g. self-locking screws and nuts, seals and seal rings, O-rings, pins, lock washers) must be replaced by new parts.

In some instances, a thread locker (e.g. **Loctite**[®]) is required. The manufacturer instructions for use must be followed.

After disassembly, clean the parts that are to be reused and check them for damage and wear. Change damaged or worn parts.

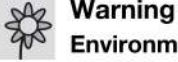
After you complete the repair or service work, check the operating safety of the vehicle.

3.1 Manufacturer and implied warranty

The work prescribed in the service schedule must be carried out by an authorized Husqvarna Motorcycles workshop only and confirmed both in the customer's Service & Warranty Booklet and in the **Husqvarna Motorcycles Dealer.net**; otherwise, all warranty claims will be void. Damage or secondary damage caused by tampering with and/or conversions on the vehicle are not covered by the warranty.

Additional information on the manufacturer or implied warranty and the procedures involved can be found in the Service & Warranty Booklet.

3.2 Operating and auxiliary substances



Warning

Environmental hazard Improper handling of fuel is a danger to the environment.

- Do not allow fuel to get into the ground water, the ground, or the sewage system.

Use the operating and auxiliary substances (such as fuel and lubricants) as specified in the manual.

3.3 Spare parts, accessories

Only use spare parts and accessories approved and/or recommended by Husqvarna. Husqvarna accepts no liability for other products and any resulting damage or loss.

The current **Husky Power** parts for your vehicle can be found on the Husqvarna website.

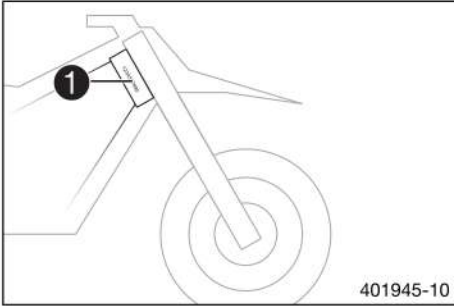
International Husqvarna Motorcycles website: www.husqvarna-motorcycles.com

3.4 Figures

The figures contained in the manual may depict special equipment.

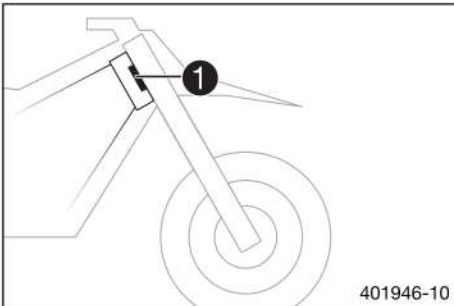
In the interest of clarity, some components may be shown disassembled or may not be shown at all. It is not always necessary to disassemble the component to perform the activity in question. Please follow the instructions in the text.

4.1 Chassis number



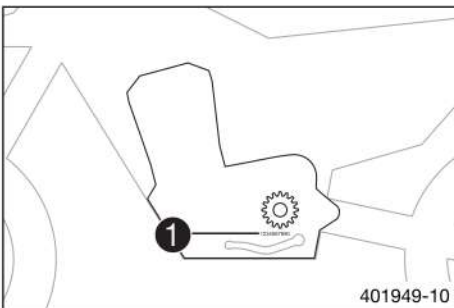
The chassis number ① is stamped on the right side of the steering head.

4.2 Type label



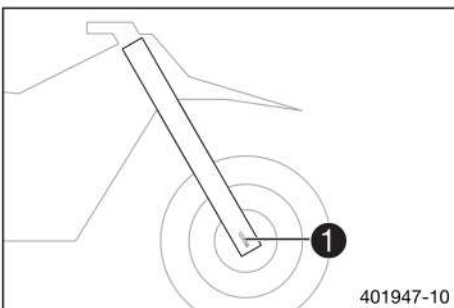
The type label ① is fixed to the front of the steering head.

4.3 Engine number



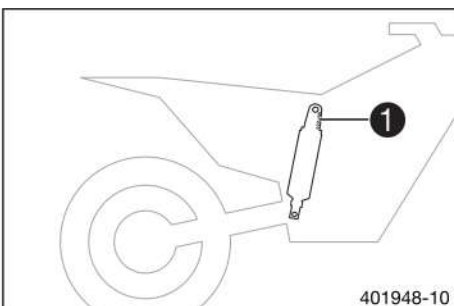
The engine number ① is stamped on the left side of the engine under the engine sprocket.

4.4 Fork part number



The fork part number ① is stamped on the inside of the axle clamp.

4.5 Shock absorber article number



The shock absorber article number ① is stamped on the top of the shock absorber above the adjusting ring towards the engine side.