

RALLIART **MITSUBISHI** **LANCER** **EVOLUTION-VII**

WORKSHOP **MANUAL**

FOREWORD

This Workshop Manual contains procedures for service mechanics, including removal, disassembly, inspection, adjustment, reassembly and installation. Use the following manuals in combination with this manual as required.

TECHNICAL INFORMATION MANUAL
N0104CT9A

All information, illustrations and product descriptions contained in this manual are current as at the time of publication. We, however, reserve the right to make changes at any time without prior notice or obligation.

The EVOLUTION-VII is sold exclusively through RALLIART Inc. Since the EVOLUTION-VII is a rally-based model, it will not be warranted and will not be homologated for general production. Therefore, any service matters on the EVOLUTION-VII should be inquired to RALLIART Inc. as usual.

 **MITSUBISHI MOTORS CORPORATION**
RALLIART INC.

General	00
Engine	11
Engine Lubrication	12
Fuel	13
Engine Cooling	14
Intake and Exhaust	15
Engine Electrical	16
Engine and Emission Control	17
Clutch	21
Manual Transmission	22
Propeller Shaft	25
Front Axle	26
Rear Axle	27
Wheel and Tyre	31
Power Plant Mount	32
Front Suspension	33
Rear Suspension	34
Service Brakes	35
Parking Brakes	36
Steering	37
Body	42
Exterior	51
Interior and Supplemental Restraint System (SRS)	52
Chassis Electrical	54
Heater, Air Conditioner and Ventilation	55
Electrical Wiring	
Body Repair	

WARNING REGARDING SERVICING OF SUPPLEMENTAL RESTRAINT SYSTEM (SRS) EQUIPPED VEHICLE

WARNING!

- (1) Improper service or maintenance of any component of the SRS, or any SRS-related component, can lead to personal injury or death to service personnel (from inadvertent firing of the air bag) or to the driver and passenger (from rendering the SRS inoperative).**
- (2) The SRS components should not be subjected to temperature of 93°C or more. So, remove the SRS-ECU, driver's and front passenger's air bag modules and clock spring before drying or baking the vehicle after painting.**
- (3) Service or maintenance of any SRS component or SRS-related component must be performed only at an authorized MITSUBISHI dealer.**
- (4) MITSUBISHI dealer personnel must thoroughly review this manual, and especially its GROUP 52B - Supplemental Restraint System (SRS), before beginning any service or maintenance of any SRS component or any SRS-related component.**

NOTE

Section titles with asterisks (*) in the table of contents in each group indicate operations requiring warnings.

GENERAL

CONTENTS

HOW TO USE THIS MANUAL	2	Models	14
Scope of Maintenance, Repair and Servicing		Model Code	15
Explanations	2	Chassis Number	16
Indication of Destination	2	Engine Model Number	16
Definition of Terms	2		
Indication of Tightening Torque	2	MAJOR SPECIFICATIONS	17
Model Indications	3	PRECAUTIONS BEFORE SERVICE	18
Explanation of Manual Contents	4	SUPPLEMENTAL RESTRAINT SYSTEM	
		(SRS)	21
HOW TO USE		SRS SERVICE PRECAUTIONS	22
 TROUBLESHOOTING/INSPECTION SERVICE		SUPPORT LOCATIONS FOR LIFTING AND	
 POINTS	6	 JACKING	24
Troubleshooting Contents	6	Support Positions for a Garage Jack and Axle	
Diagnosis Function	7	Stands	24
How to Use the Inspection Procedures	10	Support Positions for a Single-Post Lift or	
Connector Measurement Service Points	11	Double-Post Lift	25
Connector Inspection	12	Support Positions and Support Method for an	
Inspection Service Points for a Blown Fuse ...	13	H-Bar Lift	26
Points to Note for Intermittent Malfunctions	13	STANDARD PART/TIGHTENING-TORQUE	
VEHICLE IDENTIFICATION	14	 TABLE	28
Vehicle Information Code Plate	14		

HOW TO USE THIS MANUAL

SCOPE OF MAINTENANCE, REPAIR AND SERVICING EXPLANATIONS

This manual provides explanations, etc. concerning procedures for the inspection, maintenance, repair and servicing of the subject model. Note, however, that for engine and transmission-related component parts, this manual covers only on-vehicle inspections, adjustments, and the removal and installation procedures for major components.

For detailed information concerning the inspection, checking, adjustment, disassembly and reassembly of the engine, transmission and major components after they have been removed from the vehicle, please refer to separate manuals covering the engine and the transmission.

ON-VEHICLE SERVICE

“On-vehicle Service” is procedures for performing inspections and adjustments of particularly important locations with regard to the construction and for maintenance and servicing, but other inspection (for looseness, play, cracking, damage, etc.) must also be performed.

INSPECTION

Under this title are presented inspection and checking procedures to be performed by using special tools and measuring instruments and by feeling, but, for actual maintenance and servicing procedures, visual inspections should always be performed as well.

INDICATION OF DESTINATION

General Export and GCC are used for convenience to indicate destination.

NOTE

- (1) “General Export” means territories other than Europe, GCC, Australia, New Zealand, the U.S.A. and Canada.
- (2) “GCC” indicates countries that are members of the (Persian) Gulf Cooperation Council of nations.
- (3) In some instances, vehicles with other specifications may be shipped to some countries.

DEFINITION OF TERMS

STANDARD VALUE

Indicates the value used as the standard for judging the quality of a part or assembly on inspection or the value to which the part or assembly is corrected and adjusted. It is given by tolerance.

LIMIT

Shows the standard for judging the quality of a part or assembly on inspection and means the maximum or minimum value within which the part or assembly must be kept functionally or in strength. It is a value established outside the range of standard value.

REFERENCE VALUE

Indicates the adjustment value prior to starting the work (presented in order to facilitate assembly and adjustment procedures, and so they can be completed in a shorter time).

CAUTION

Indicates the presentation of information particularly vital to the worker during the performance of maintenance and servicing procedures in order to avoid the possibility of injury to the worker, or damage to component parts, or a reduction of component or vehicle function or performance, etc.

INDICATION OF TIGHTENING TORQUE

Tightening torques (units: N·m) are set to take into account the central value and the allowable tolerance. The central value is the target value, and the allowable tolerance provides the checking range for tightening torques. If bolts and nuts are not provided with tightening torques, refer to P.00-28.

MODEL INDICATIONS

The following abbreviations are used in this manual for classification of model types.

MPI: Indicates the multipoint injection, or engine equipped with the multipoint injection.

DOHC: Indicates an engine with the double overhead camshaft, or a model equipped with such an engine.

M/T: Indicates the manual transmission, or models equipped with the manual transmission.

A/C: Indicates the air conditioner.

EXPLANATION OF MANUAL CONTENTS

Indicates procedures to be performed before the work in that section is started, and procedures to be performed after the work in that section is finished.

Component Diagram

A diagram of the component parts is provided near the front of each section in order to give a reader a better understanding of the installed condition of component parts.

Indicates (by symbols) where lubrication is necessary.

Maintenance and Servicing Procedures


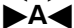
The numbers provided within the diagram indicate the sequence for maintenance and servicing procedures.

- **Removal steps:**
The part designation number corresponds to the number in the illustration to indicate removal steps.
- **Disassembly steps:**
The part designation number corresponds to the number in the illustration to indicate disassembly steps.

- **Installation steps:**
Specified in case installation is impossible in reverse order of removal steps. Omitted if installation is possible in reverse order of removal steps.
- **Reassembly steps:**
Specified in case reassembly is impossible in reverse order of disassembly steps. Omitted if reassembly is possible in reverse order of disassembly steps.

Classifications of Major Maintenance/Service Points

When there are major points relative to maintenance and servicing procedures (such as essential maintenance and service points, maintenance and service standard values, information regarding the use of special tools, etc.), these are arranged together as major maintenance and service points and explained in detail.

-  : Indicates that there are essential points for removal or disassembly.
-  : Indicates that there are essential points for installation or reassembly.

Symbols for Lubrication, Sealants and Adhesives

Information concerning the locations for lubrication and for application of sealants and adhesives is provided, by using symbols, in the diagram of component parts or on the page following the component parts page, and explained.



: Grease
(multipurpose grease unless there is a brand or type specified)



: Sealant or adhesive



: Brake fluid or automatic transmission fluid



: Engine oil, gear oil or air conditioner compressor oil



: Adhesive tape or butyl rubber tape

Indicates the group title.

Indicates the section title.

Indicates the group number.

Indicates the page number.

STEERING – Power Steering Oil Pump **37A-29**

POWER STEERING GEAR BOX 12000039

REMOVAL AND INSTALLATION

Pre-removal Operation
 (1) Power Steering Fluid Draining (Refer to P. 37A-10.)
 (2) Air Cleaner Assembly Removal
 (3) Under Cover Removal (Refer to GROUP 42 Under Cover.)

Sealant: 3M ATD Part No. 8661 or equivalent

Oil pump seal kit Oil pump cartridge kit

Removal steps

- Lower shaft assembly and gear box connecting bolt
- Split pin
- Connection for tie-rod end and knuckle
- Connection for return tube
- Connection for pressure tube
- Clamp
- Gear box assembly

REMOVAL SERVICE POINTS
▲ TIE-ROD END DISCONNECTION

Caution

- Using the special tool, loosen the tie rod end mounting nut. Only loosen the nut; do not remove it from the ball joint.
- Support the special tool with a cord, etc. to prevent it from coming off.

HEADLAMP RELAY CONTINUITY INSPECTION

Battery voltage	Terminal No.			
	1	3	4	5
Power is not supplied	○—○	○—○	○—○	○—○
Power is supplied	⊕—⊖	⊕—⊖	○—○	○—○

35A-26 BASIC BRAKE SYSTEM – Master Cylinder and Brake Booster

Lubrication and sealing points

Fitting hose (14L0216) Vacuum switch (14W565)

Sealant: 3M ATD Part No. 8663 or equivalent

N denotes non-re-usable part.

Denotes tightening torque. For bolts and nuts which do not have a tightening torque listed, refer to the "Standard Parts-tightening-torque Table".

Repair kit or set parts are shown. (Only very frequently used parts are shown.)

Operating procedures, cautions, etc. on removal, installation, disassembly and reassembly are described.

○—○ indicates that there is a continuity between the terminals.
 ⊕—⊖ indicates terminals to which battery voltage is applied.

The title of the page (following the page on which the diagram of component parts is presented) indicating the locations of lubrication and sealing procedures.

HOW TO USE TROUBLESHOOTING/INSPECTION SERVICE POINTS

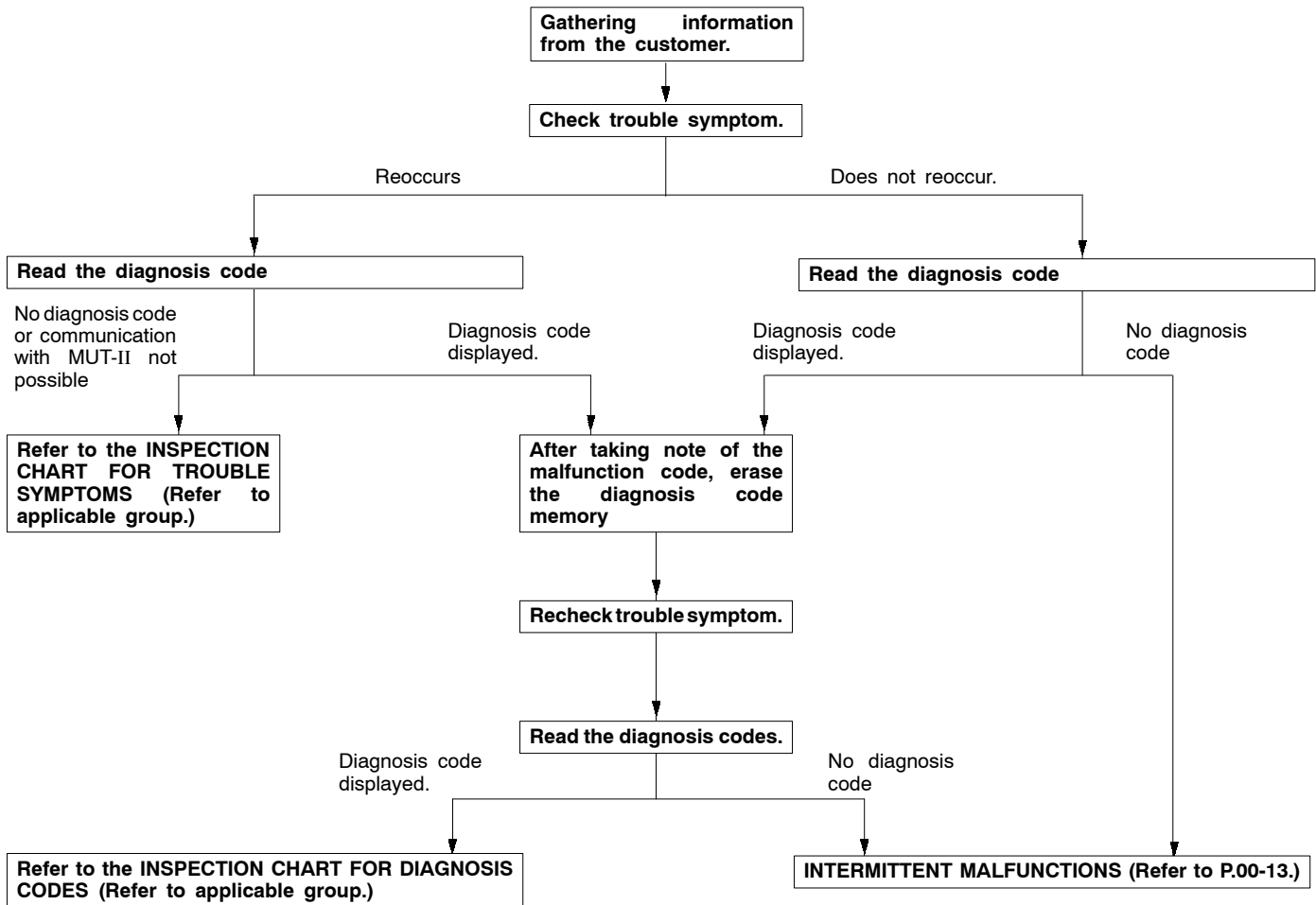
Troubleshooting of electronic control systems for which the MUT-II can be used follows the basic outline described below. Furthermore, even in systems for which the MUT-II cannot be used, part of these systems still follow this outline.

TROUBLESHOOTING CONTENTS

1. STANDARD FLOW OF DIAGNOSIS TROUBLESHOOTING

The troubleshooting sections follow the basic diagnosis flow which is given below. If the diagnosis flow is different from that given below, or if additional explanation is required, the details of such differences or additions will also be listed.

Diagnosis method



2. SYSTEM OPERATION AND SYMPTOM VERIFICATION TESTS

If verification of the trouble symptoms is difficult, procedures for checking operation and verifying trouble symptoms are shown.

3. DIAGNOSIS FUNCTION

Details which are different from those in the “Diagnosis Function” section on the next page are listed.

4. INSPECTION CHART FOR DIAGNOSIS CODES**5. INSPECTION PROCEDURE FOR DIAGNOSIS CODES**

Indicates the inspection procedures corresponding to each diagnosis code. (Refer to P.00-10 for how to use the inspection procedures.)

6. INSPECTION CHART FOR TROUBLE SYMPTOMS

If there are trouble symptoms even though the results of inspection using the MUT-II show that all diagnosis codes are normal, inspection procedures for each trouble symptom will be found by means of this chart.

7. INSPECTION PROCEDURE FOR TROUBLE SYMPTOM

Indicates the inspection procedures corresponding to each trouble symptoms classified in the Inspection Chart for Trouble Symptoms. (Refer to P.00-10 for how to use the inspection procedures.)

8. SERVICE DATA REFERENCE TABLE

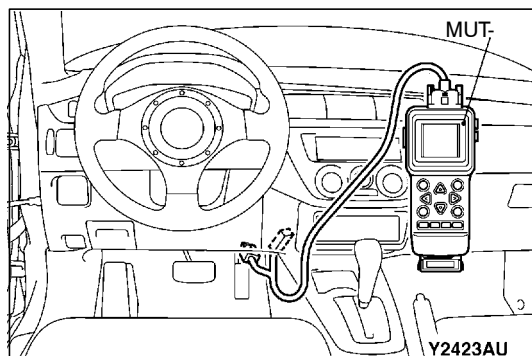
Inspection items and normal judgement values have been provided in this chart as reference information.

9. CHECK AT ECU TERMINALS

Terminal numbers for the ECU connectors, inspection items and standard values have been provided in this chart as reference information.

10. INSPECTION PROCEDURES USING AN OSCILLOSCOPE

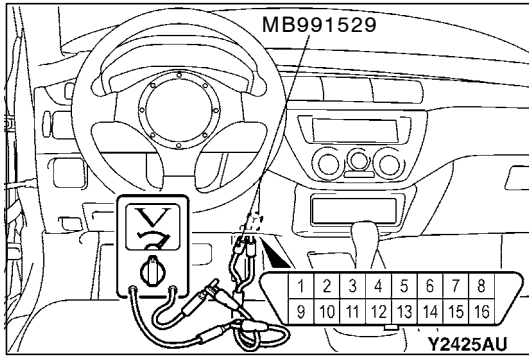
When there are inspection procedures using an oscilloscope, these are listed here.

**DIAGNOSIS FUNCTION****METHOD OF READING DIAGNOSIS CODES****WHEN USING THE MUT-II**

Connect the MUT-II to the diagnosis connector and take a reading of the diagnosis codes.

Caution

Turn the ignition switch to "LOCK"(OFF) position before connecting or disconnecting the MUT-II.



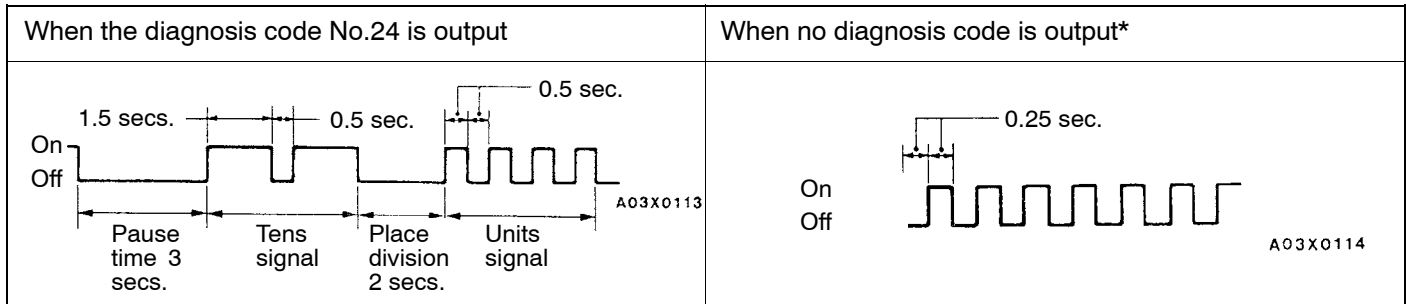
WHEN USING THE WARNING LAMP

1. Use the special tool to earth No.1 terminal (diagnosis control terminal) of the diagnosis connector.
2. Turn the ignition switch to "ON" position.
3. Read out a diagnosis code by observing how the warning lamp flashes.

Applicable systems

System name	Warning lamp name
ACD, AYC	ACD mode indicator lamp
ABS	ABS warning lamp

Indication of diagnosis code by warning lamp



METHOD OF ERASING DIAGNOSIS CODES

WHEN USING THE MUT-II

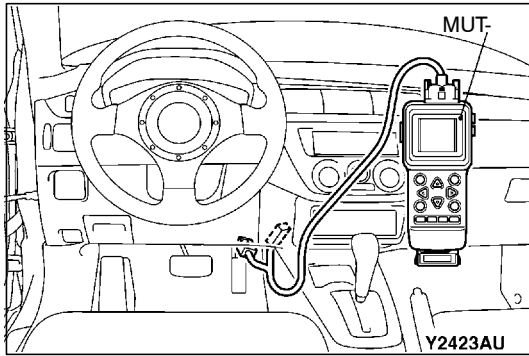
Connect the MUT-II to the diagnosis connector and erase the diagnosis code.

Caution

Turn the ignition switch to "LOCK"(OFF) position before connecting or disconnecting the MUT-II.

WHEN NOT USING THE MUT-II

1. Turn the ignition switch to "LOCK"(OFF) position.
2. After disconnecting the battery cable from the battery (-) terminal for 10 seconds or more, reconnect the cable.
3. After the engine has warmed up, run it at idle for about 15 minutes.

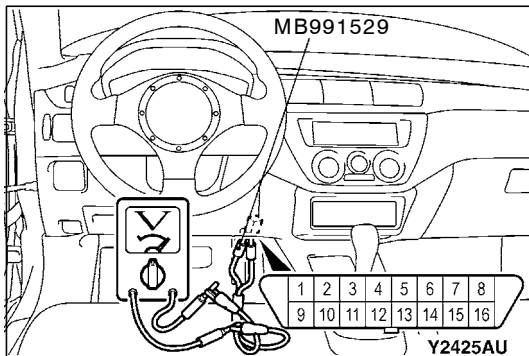
**INPUT SIGNAL CHECK <SWS>****WHEN USING THE MUT-II**

1. Connect the MUT-II to the diagnosis connector and erase the diagnosis code.

Caution

Turn the ignition switch to “LOCK”(OFF) position before connecting or disconnecting the MUT-II.

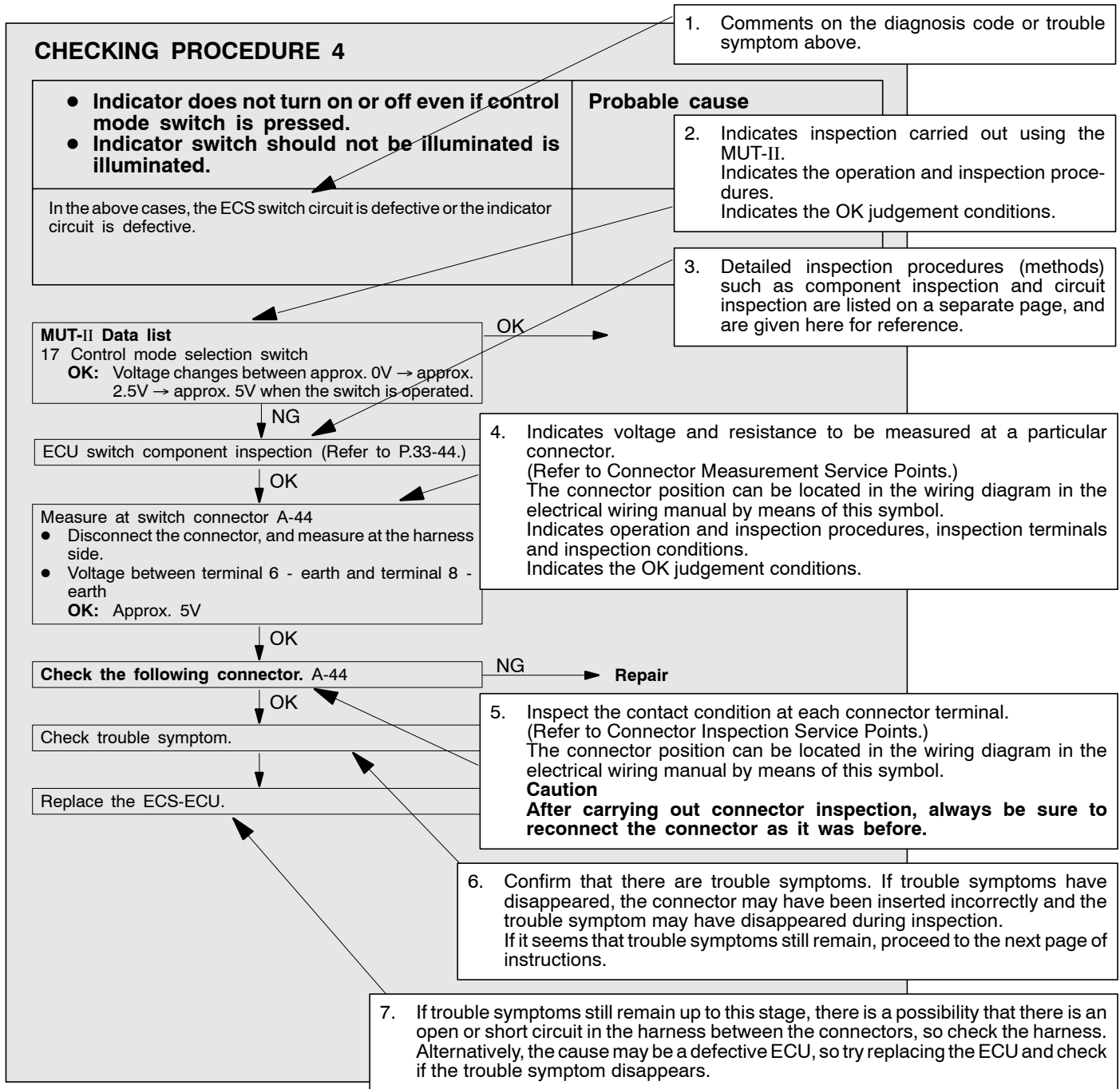
2. If the MUT-II buzzer sounds once when each switch is operated (ON/OFF), the input signal for that switch circuit system is normal.

**WHEN USING A VOLTMETER**

1. Use the special tool to connect the ETACS terminal (terminal 9) and the earth terminals (terminals 4 and 5) of the diagnosis connector to the voltage meter.
2. If the needle of the voltage meter flickers once when each switch is operated (ON/OFF), the input signal for that switch circuit system is normal.

HOW TO USE THE INSPECTION PROCEDURES

The causes of a high frequency of problems occurring in electronic circuitry are generally the connectors, components, the ECU and the harnesses between connectors, in that order. These inspection procedures follow this order, and they first try to discover a problem with a connector or a defective component.



HARNESS INSPECTION

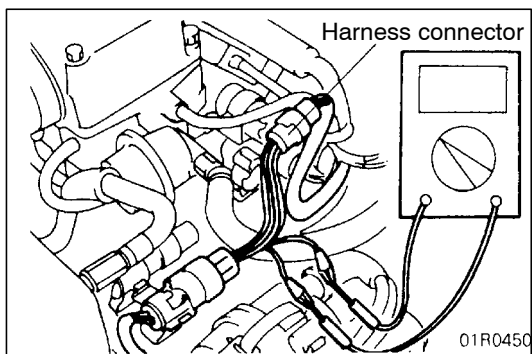
Check for an open or short circuit in the harness between the terminals which were defective according to the connector measurements. Carry out this inspection while referring to the electrical wiring manual. Here, "Check harness between power supply and terminal xx" also includes checking for blown fuses. For inspection service points when there is a blown fuse, refer to "Inspection Service Points for a Blown Fuse."

MEASURES TO TAKE AFTER REPLACING THE ECU

If the trouble symptoms have not disappeared even after replacing the ECU, repeat the inspection procedure from the beginning.

CONNECTOR MEASUREMENT SERVICE POINTS

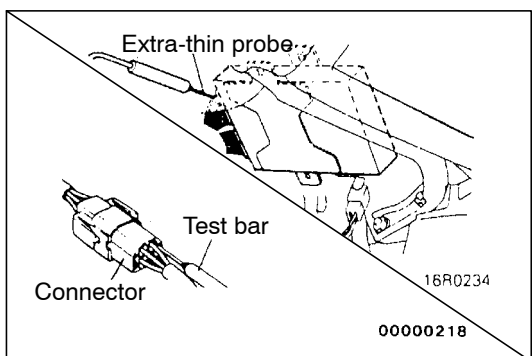
Turn the ignition switch to OFF when connecting disconnecting the connectors, and turn the ignition switch to ON when measuring if there are no instructions to be contrary.



IF INSPECTING WITH THE CONNECTOR CONNECTED (WITH CIRCUIT IN A CONDITION OF CONTINUITY)

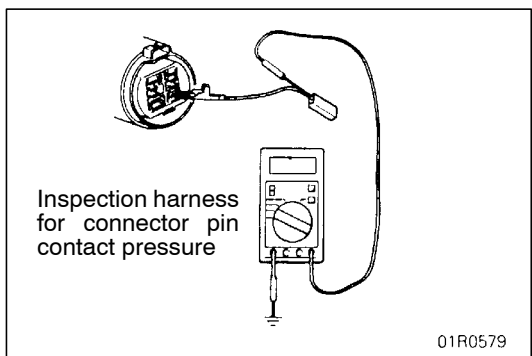
Waterproof Connectors

Be sure to use the special tool (harness connector). Never insert a test bar from the harness side, because to do so will reduce the waterproof performance and result in corrosion.



Ordinary (non-waterproof) Connectors

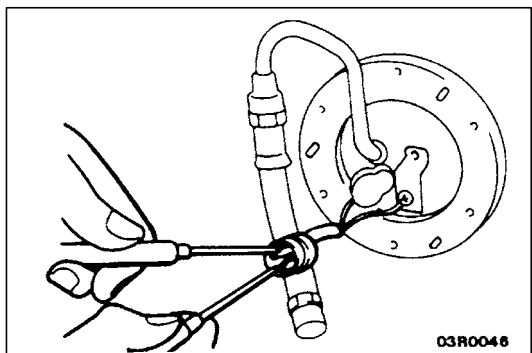
Check by inserting the test bar from the harness side. Note that if the connector (control unit, etc.) is too small to permit insertion of the test bar, it should not be forced; use a special tool (the extra-thin probe in the harness set for checking for this purpose).



IF INSPECTING WITH THE CONNECTOR DISCONNECTED

<When Inspecting a Female Pin>

Use the special tool (inspection harness for connector pin contact pressure in the harness set for inspection). The inspection harness for connector pin contact pressure should be used. the test bar should never be forcibly inserted, as it may cause a defective contact.

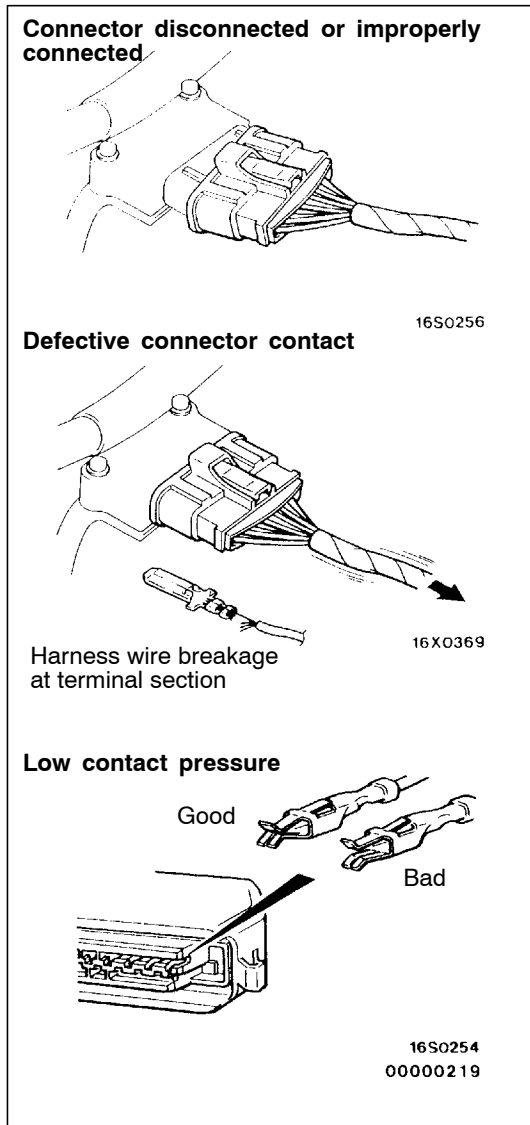


<When Inspecting a Male Pin>

Touch the pin directly with the test bar.

Caution

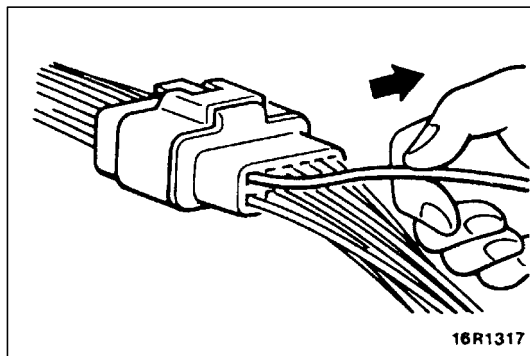
At this time, be careful not to short the connector pins with the test bars. To do so may damage the circuits inside the ECU.



CONNECTOR INSPECTION

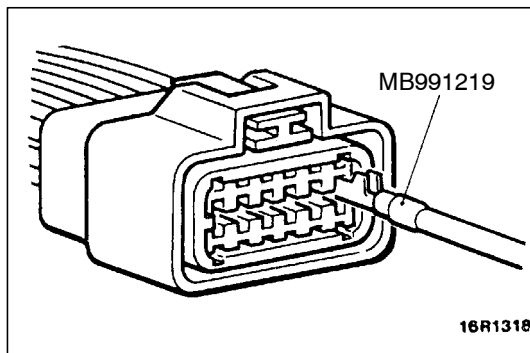
VISUAL INSPECTION

- Connector is disconnected or improperly connected
- Connector pins are pulled out
- Due to harness tension at terminal section
- Low contact pressure between male and female terminals
- Low connection pressure due to rusted terminals or foreign matter lodged in terminals



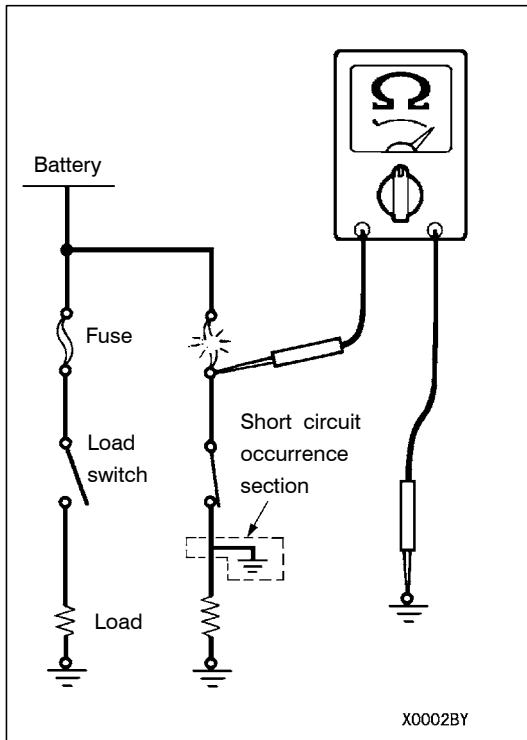
CONNECTOR PIN INSPECTION

If the connector pin stopper is damaged, the terminal connections (male and female pins) will not be perfect even if the connector body is connected, and the pins may pull out of the reverse side of the connector. Therefore, gently pull the harnesses one by one to make sure that no pins pull out of the connector.



CONNECTOR ENGAGEMENT INSPECTION

Use the special tool (connector pin connection pressure inspection harness of the inspection harness set) to inspect the engagement of the male pins and females pins. (Pin drawing force : 1 N or more)

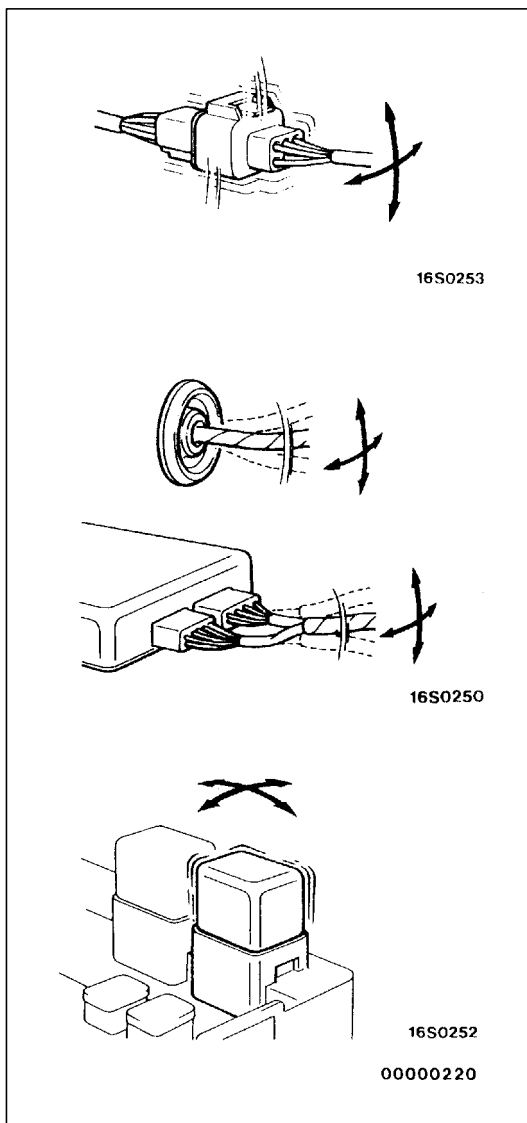


INSPECTION SERVICE POINTS FOR A BLOWN FUSE

Remove the blown fuse and measure the resistance between the load side of the blown fuse and the earth. Set the switches of all circuits which are connected to this fuse to a condition of continuity. If the resistance is almost 0 Ω at this time, there is a short somewhere between these switches and the load. If the resistance is not 0 Ω, there is no short at the present time, but a momentary short has probably caused the fuse to blow.

The main causes of a short circuit are the following.

- Harness being clamped by the vehicle body
- Damage to the outer casing of the harness due to wear or heat
- Water getting into the connector or circuitry
- Human error (mistakenly shorting a circuit, etc.)



POINTS TO NOTE FOR INTERMITTENT MALFUNCTIONS

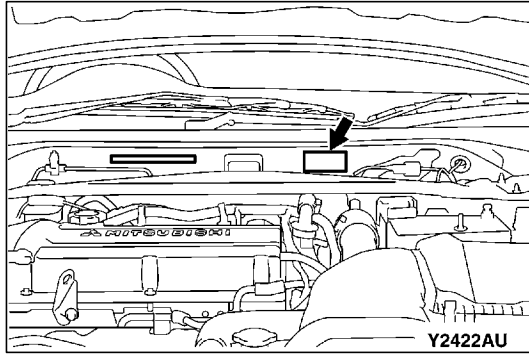
Intermittent malfunctions often occur under certain conditions, and if these conditions can be ascertained, determining the cause becomes simple. In order to ascertain the conditions under which an intermittent malfunction occurs, first ask the customer for details about the driving conditions, weather conditions, frequency of occurrence and trouble symptoms, and then try to recreate the trouble symptoms. Next, ascertain whether the reason why the trouble symptom occurred under these conditions is due to vibration, temperature or some other factor. If vibration is thought to be the cause, carry out the following checks with the connectors and components to confirm whether the trouble symptom occurs.

The objects to be checked are connectors and components which are indicated by inspection procedures or given as probable causes (which generates diagnosis codes or trouble symptoms.)

- Gently shake the connector up, down and to the left and right.
- Gently shake the wiring harness up, down and to the left and right. Check the branch point of wiring harness connector closely.
- Gently rock each sensor and relay, etc. by hand.
- Gently shake the wiring harness at suspensions and other moving parts.

NOTE

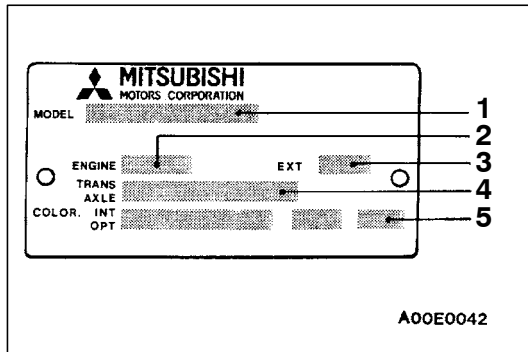
If determining the cause is difficult, the flight recorder function of the MUT-II can also be used.



VEHICLE IDENTIFICATION

VEHICLE INFORMATION CODE PLATE LOCATION

Vehicle information code plate is riveted on the toeboard inside the engine compartment.



CODE PLATE DESCRIPTION

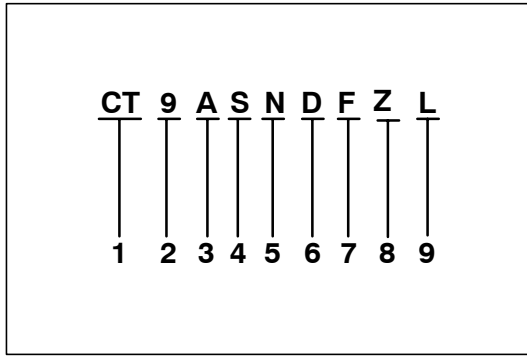
The plate shows model code, engine model, transmission model, and body colour code.

No.	Item	Contents	Contents
1	MODEL	CT9A SNDFZL	CT9A: Vehicle model
			SNDFZL: Model series
2	ENGINE	4G63-DOHC	Engine model
3	EXT	A37B	Exterior code
4	TRANS AXLE	W5M51	W5M51: Transmission code
5	COLOR INT OPT	A37 14H R11	A37: Body colour code
			14H: Interior code
			R11: Equipment code

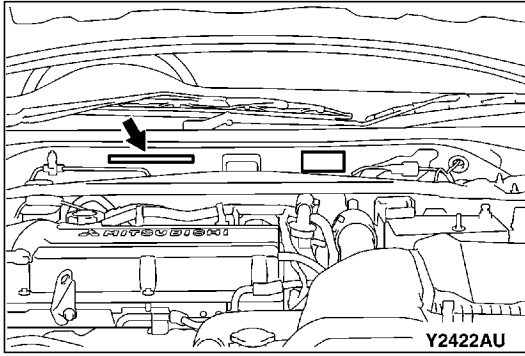
For monotone colour vehicles, the body colour code shall be indicated. For two-tone or three-way two-tone colour vehicles, each colour code only shall be indicated in series.

MODELS

Model code	Class code	Grade	Engine model	Transmission model	Fuel supply system
CT9A	SNDFZL/R	RS	4G63 (1,997 mL-DOHC-16 valves-intercooler turbo)	W5M51 <4WD-5M/T>	MPI
	SNGFZL/R	RS-II			

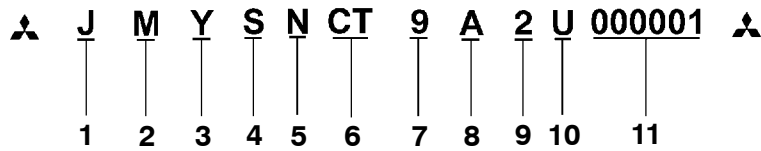
**MODEL CODE**

No.	Items	Contents
1	Development	CT: MITSUBISHI LANCER EVOLUTION-VII
2	Engine type	9: 1,997 mL petrol engine
3	Sort	A: Passenger car
4	Body style	S: 4-door sedan
5	Transmission type	N: 5-speed manual transmission
6	Trim level	D: RS G: RS-II or GSR
7	Specification engine feature	F: MPI-DOHC-intercooler turbo
8	Special feature	Z: 4WD
9	Steering wheel location	L: Left hand R: Right hand

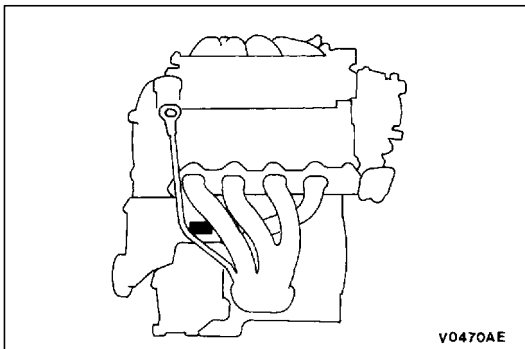


CHASSIS NUMBER

The chassis number is stamped on the toeboard inside the engine compartment.



No.	Items		Contents
1	Fixed figure	J	Asia
2	Distribution channel	M	Japan channel
3	Destination	Y	For Europe and General Export
4	Body style	S	4-door sedan
5	Transmission type	N	5-speed manual transmission
6	Development order	CT	MITSUBISHI LANCER EVOLUTION-VII
7	Engine	9	4G63: 1,997 mL petrol engine
8	Sort	A	Passenger car
9	Model year	2	2002
10	Plant	U	MIZUSHIMA-1
11	Serial number	-	-



ENGINE MODEL NUMBER

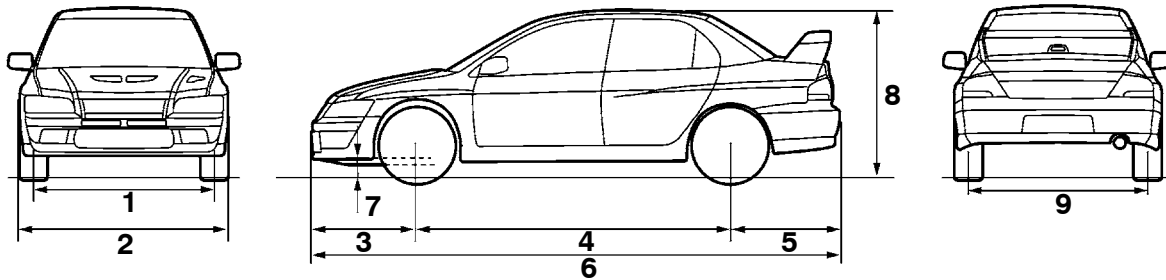
- The engine model number is stamped on the cylinder block as shown below.

Engine model	Engine displacement mL
4G63	1,997

- The engine serial number is stamped near the engine model number.

Engine serial number	AA0201 to YY9999
----------------------	------------------

MAJOR SPECIFICATIONS



Items		CT9A		
		SNDFZL/R	SNGFZL/R	
Vehicle dimensions mm	Front track	1	1,500, 1,515 *1	
	Overall width	2	1,770	
	Front overhang	3	895	
	Wheel base	4	2,625	
	Rear overhang	5	935	
	Overall length	6	4,455	
	Ground clearance (unladen)	7	140	
	Overall height (unladen)	8	1,450	
	Rear track	9	1,500, 1,515 *1	
Vehicle weight kg	Kerb weight		1,320	1,380
	Max. gross vehicle weight		1,655	1,695
	Max. axle weight rating-front		950	970
	Max. axle weight rating-rear		705	725
Seating capacity			5	
Engine	Model No.	4G63		
	Total displacement mL	1,997		
Transmission	Model No.	W5M51		
	Type	5-speed manual		
Fuel system	Fuel supply system	MPI		

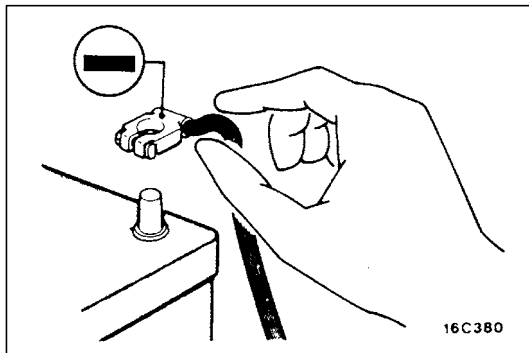
NOTE

*1: Vehicles with 17 inch wheels.

PRECAUTIONS BEFORE SERVICE

SUPPLEMENTAL RESTRAINT SYSTEM (SRS)

1. Items to follow when servicing SRS
 - (1) Be sure to read GROUP 52B - Supplemental Restraint System (SRS).
For safe operations, please follow the directions and heed all warnings.
 - (2) Wait at least 60 seconds after disconnecting the battery cable before doing any further work.
The SRS system is designed to retain enough voltage to deploy the air bag even after the battery has been disconnected. Serious injury may result from unintended air bag deployment if work is done on the SRS system immediately after the battery cable is disconnected.
 - (3) Warning labels must be heeded when servicing or handling SRS components. Warning labels are located in the following locations.
 - Sun visor
 - Glove box
 - SRS-ECU
 - Steering wheel
 - Steering Joint Cover
 - Air bag module (driver's side and front passenger's side)
 - Clock spring
 - Seat belt with pre-tensioner
 - (4) Always use the designated special tools and test equipment.
 - (5) Store components removed from the SRS in a clean and dry place.
The air bag module should be stored on a flat surface and placed so that the pad surface is facing upward.
Do not place anything on top of it.
 - (6) Never attempt to disassemble or repair the SRS components (SRS-ECU, air bag module, clock spring and seat belt with pre-tensioner).
 - (7) Whenever you finish servicing the SRS, check the SRS warning lamp operation to make sure that the system functions properly.
 - (8) Be sure to deploy the air bag before disposing of the air bag module or disposing of a vehicle equipped with an air bag. (Refer to GROUP 52B - Air Bag Module Disposal Procedures.)
2. Observe the following when carrying out operations on places where SRS components are installed, including operations not directly related to the SRS air bag.
 - (1) When removing or installing parts do not allow any impact or shock to the SRS components.
 - (2) SRS components should not be subjected to heat, so remove the SRS components before drying or baking the vehicle after painting.
 - SRS-ECU, air bag module, clock spring: 93°C or more
 - Seat belt with pre-tensioner: 90°C or moreAfter re-installing them, check the SRS warning lamp operation to make sure that the system functions properly.



SERVICING THE ELECTRICAL SYSTEM

Before replacing a component related to the electrical system and before undertaking any repair procedures involving the electrical system, be sure to first disconnect the negative (-) cable from the battery in order to avoid damage caused by short-circuiting.

Caution

Before connecting or disconnecting the negative (-) cable, be sure to turn off the ignition switch and the lighting switch.

(If this is not done, there is the possibility of semiconductor parts being damaged.)

APPLICATION OF ANTI-CORROSION AGENTS AND UNDERCOATS

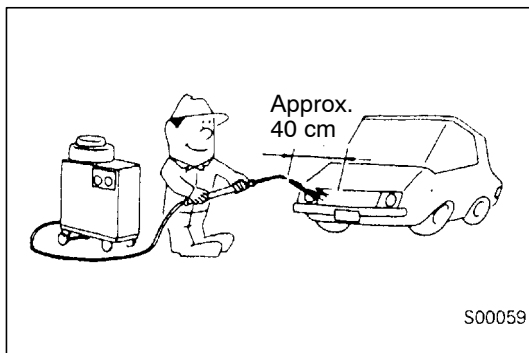
If oil or grease gets onto the oxygen sensor, it will cause a drop in the performance of the sensor.

Cover the oxygen sensor with a protective cover when applying anti-corrosion agents and undercoats.

PRE-INSPECTION CONDITION

“Pre-inspection condition” refers to the condition that the vehicle must be in before proper engine inspection can be carried out. If you see the words “Set the vehicle to the pre-inspection condition”. in this manual, it means to set the vehicle to the following condition.

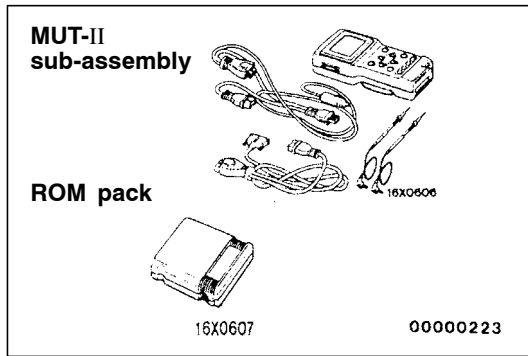
- Engine coolant temperature: 80 to 90°C
- Lamps, electric cooling fan and all accessories: OFF
- M/T: Neutral
- A/T: P range



VEHICLE WASHING

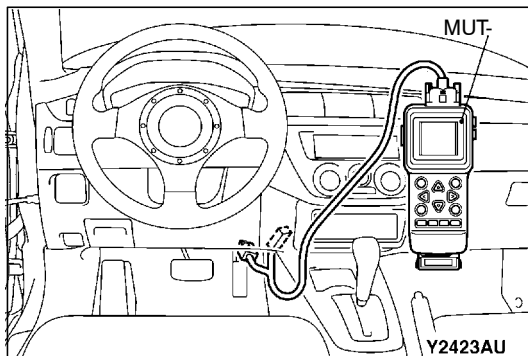
If high-pressure car-washing equipment or steam car-washing equipment is used to wash the vehicle, be sure to note the following information in order to avoid damage to plastic components, etc.

- Spray nozzle distance: Approx. 40 cm or more
- Spray pressure: 3,900 kPa or less
- Spray temperature: 82°C or less
- Time of concentrated spray to one point: within 30 sec.



MUT-II

Refer to the "MUT-II REFERENCE MANUAL" or "MUT-II OPERATING INSTRUCTIONS" for instructions on handling the MUT-II.



Connect the MUT-II to the diagnosis connector as shown in the illustration.

Caution

Turn the ignition switch to the LOCK (OFF) position before connecting or disconnecting the MUT-II.

IN ORDER TO PREVENT VEHICLES FROM FIRE

"Improper installation of electrical or fuel related parts could cause a fire. In order to retain the high quality and safety of the vehicle, it is important that any accessories that may be fitted or modifications/repairs that may be carried out which involve the electrical or fuel systems, MUST be carried out in accordance with MMC's information/Instructions".

ENGINE OILS

Health Warning

Prolonged and repeated contact with mineral oil will result in the removal of natural fats from the skin, leading to dryness, irritation and dermatitis. In addition, used engine oil contains potentially harmful contaminants which may cause skin cancer. Adequate means of skin protection and washing facilities must be provided.

Recommended Precautions

The most effective precaution is to adapt working practices which prevent, as far as practicable, the risk of skin contact with mineral oils, for example by using enclosed systems for handling used engine oil and by degreasing components, where practicable, before handling them.

Other precautions:

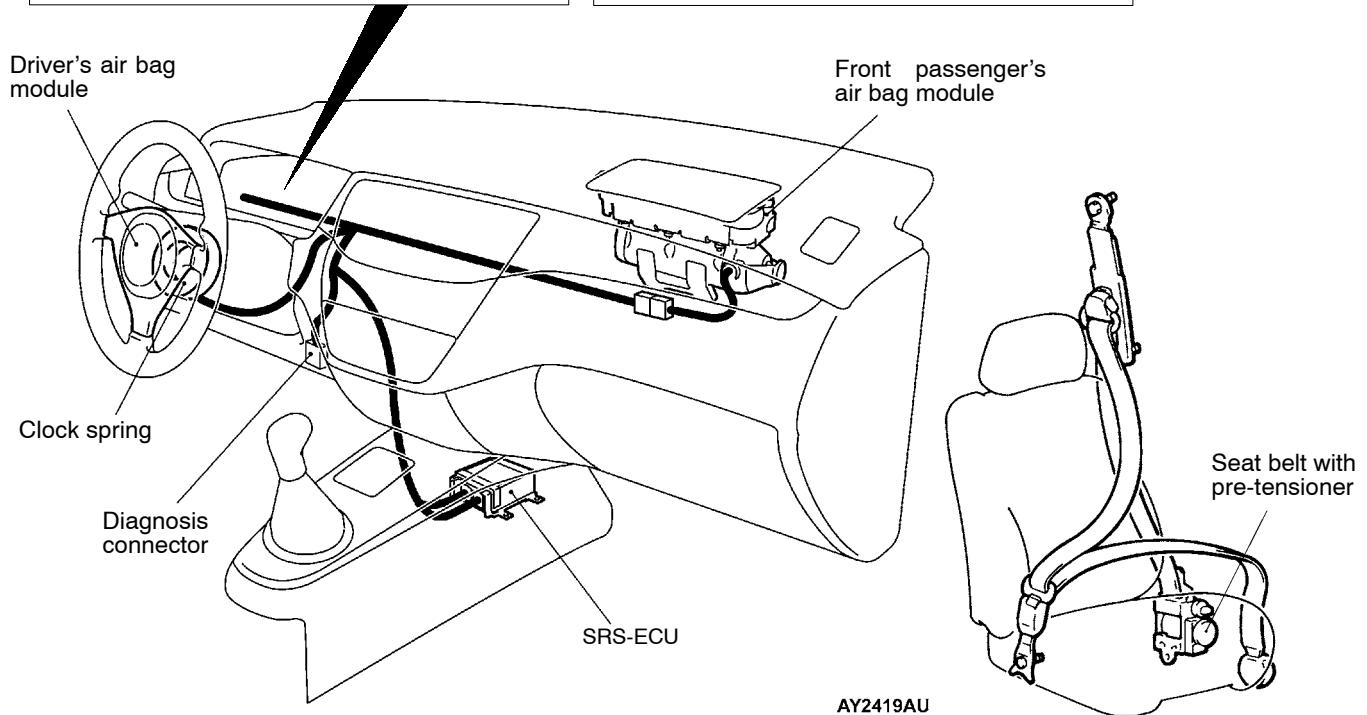
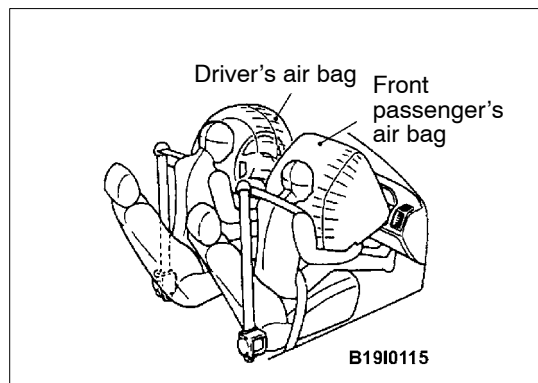
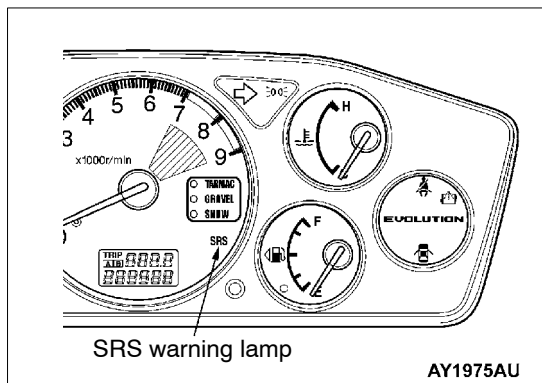
- Avoid prolonged and repeated contact with oils, particularly used engine oils.
- Wear protective clothing, including impervious gloves where practicable.
- Avoid contaminating clothes, particularly underpants, with oil.
- Do not put oily rags in pockets, the use of overalls without pockets will avoid this.
- Do not wear heavily soiled clothing and oil-impregnated foot-wear. Overalls must be cleaned regularly and kept separately from personal clothing.
- Where there is a risk of eye contact, eye protection should be worn, for example, chemical goggles or face shields; in addition an eye wash facility should be provided.
- Obtain First Aid treatment immediately for open cuts and wounds.
- Wash regularly with soap and water to ensure all oil is removed, especially before meals (skin cleansers and nail brushes will help). After cleaning, the application of preparations containing lanolin to replace the natural skin oils is advised.
- Do not use petrol, kerosine, diesel fuel, gas oil, thinners or solvents for cleaning skin.
- Use barrier creams, applying them before each work period, to help the removal of oil from the skin after work.
- If skin disorders develop, obtain medical advice without delay.

SUPPLEMENTAL RESTRAINT SYSTEM (SRS)

To improve safety, the SRS and seat belts with pre-tensioner. These systems enhance collision safety by restraining the front passengers in case of an accident. The SRS works with the pre-tensioner simultaneously when a collision is detected.

The SRS consists of two air bag modules, SRS air bag control unit (SRS-ECU), SRS warning lamp and clock spring. The air bags are located in the center of the steering wheel, above the glove box. Each air bag has a folded air bag and an inflator unit. The SRS-ECU under the floor console monitors the system and has a safing G-sensor and an analog G-sensor. The warning lamp on the

instrument panel indicates the operational status of the SRS. The clock spring is installed in the steering column. The seat belt pre-tensioner is built into the front seat belt retractor. Only authorized service personnel should do work on or around the SRS components and seat belt with pre-tensioner. Those service personnel should read this manual carefully before starting any such work. Extreme care must be used when servicing the SRS to avoid injury to the service personnel (by inadvertent deployment of the air bags or inadvertent operation of the seat belt with pre-tensioner) or the driver (by rendering the SRS or the seat belt with pre-tensioner inoperative).



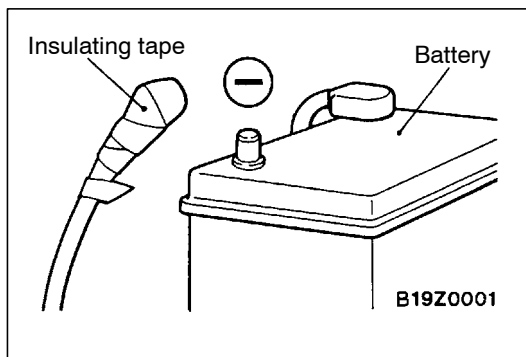
AW0403AU

SRS SERVICE PRECAUTIONS

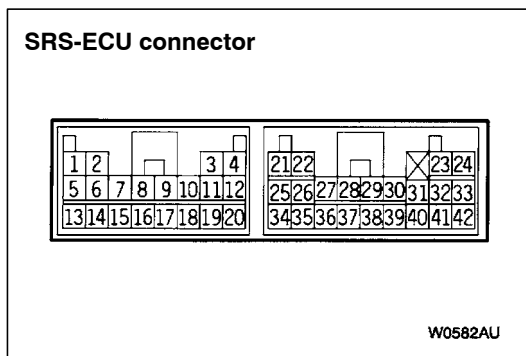
1. In order to avoid injury to yourself or others from accidental deployment of the air bag and accidental operation of the seat belt with pre-tensioner during servicing, read and carefully follow all the precautions and procedures described in this manual.
2. Do not use any electrical test equipment on or near SRS components, except those specified on P.52B-6.
3. **Never Attempt to Repair the Following Components:**
 - SRS air bag control unit (SRS-ECU)
 - Clock spring
 - Driver's and front passenger's air bag modules
 - Seat belt with pre-tensioner

NOTE

If any of these components are diagnosed as faulty, they should only be replaced, in accordance with the **INDIVIDUAL COMPONENTS SERVICE** procedures in this manual. (Refer to P.52B-49.)



4. After disconnecting the negative (-) battery cable, wait **60 seconds** at least before any service and insulate the disconnected cable with tape. The SRS retain enough voltage to deploy the air bags for a short time even after the disconnection of the battery. So, serious injury may result by accidental air bag deployment if a work is done on the SRS just after the disconnection of the battery.

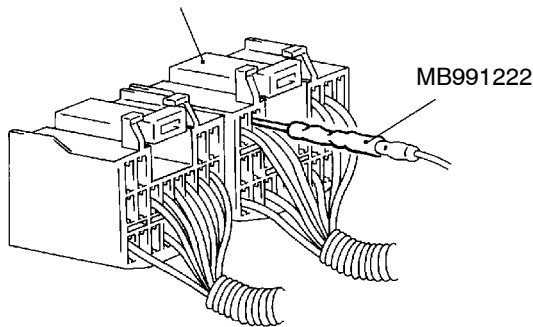


5. Do not attempt to repair the wiring harness connectors of the SRS. If the connector(s) are diagnosed as defective, replace the wiring harness(es). If the harness(es) are diagnosed as faulty, replace or repair the wiring harness(es) according to the table that follows.

SRS-ECU Terminal No.	Destination of harness	Corrective action
7	Instrument panel wiring harness → Earth	Repair or replace each wiring harness
8	Instrument panel wiring harness → Combination meter (SRS warning lamp)	
9, 10	Instrument panel wiring harness → Front passenger's air bag module	
11, 12	Instrument panel wiring harness → Clock spring → Driver's air bag module)	Repair or replace the dash wiring harness. Replace clock spring.
13	Instrument panel wiring harness → Junction block (fuse No.3)	Repair or replace each wiring harness.
16	Instrument panel wiring harness → Junction block (fuse No.2)	
20	Instrument panel wiring harness → Diagnosis connector	
29, 30	Floor wiring harness Driver's seat belt pre-tensioner	
27, 28	Floor wiring harness Front passenger's seat belt pre-tensioner	

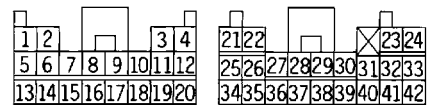
6. Inspection of the SRS-ECU harness connector should be carried out by the following procedure. Insert the special tool (probe, MB991222, in the harness set) into the connector from harness side (rear side), and connect the tester to this probe. If any tool than specified is used, damage to the harness and other components will result. Furthermore, measurement should not be carried out by touching the probe directly against the terminals from the front of the connector. The terminals are plated to increase their conductivity, so that if they are touched directly by the probe, the plating may break, which will cause drops in reliability.

SRS-ECU harness connector



V0132AE

SRS-ECU harness connector (rear view)



W0584AU

7. SRS components and seat belt with pre-tensioner should not be subjected to heat, so remove the SRS-ECU, driver's and front passenger's air bag modules, clock spring, and seat belt with pre-tensioner before drying or baking the vehicle after painting.
- SRS-ECU, air bag module, clock spring : 93 or more
 - Seat belt with pre-tensioner : 90 or more
8. Whenever you finish servicing the SRS, check warning lamp operation to make sure that the system functions properly. (Refer to P.52B-6.)
9. Make certain that the ignition switch is LOCK (OFF) position when the MUT-II is connected or disconnected.
10. If you have any questions about the SRS, please contact your local distributor.

NOTE

SERIOUS INJURY CAN RESULT FROM UNINTENDED AIR BAG DEPLOYMENT, SO USE ONLY THE PROCEDURES AND EQUIPMENT SPECIFIED IN THIS MANUAL.

SUPPORT LOCATIONS FOR LIFTING AND JACKING

Caution

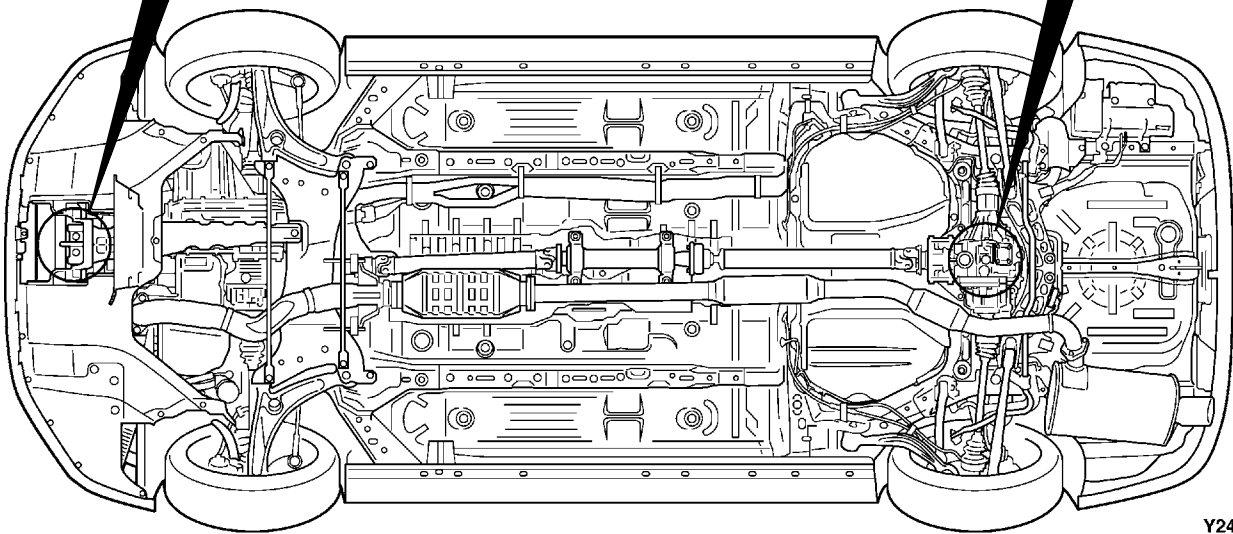
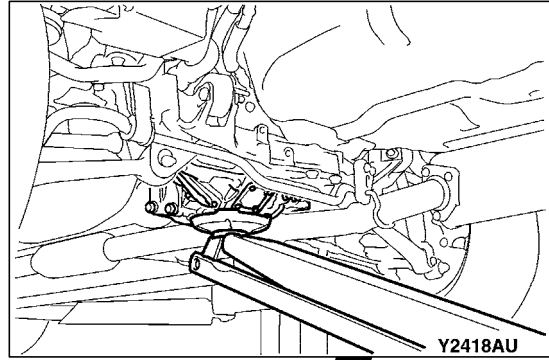
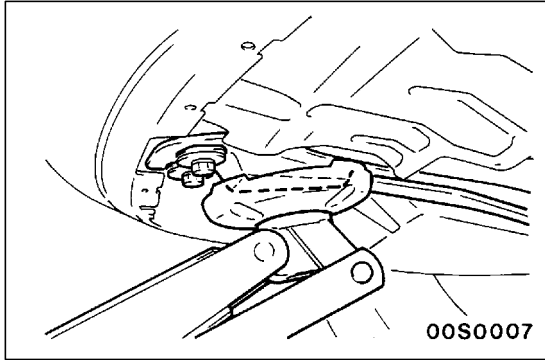
Do not support the vehicles at locations other than specified supporting points. Doing so will cause damage, etc.

SUPPORT POSITIONS FOR A GARAGE JACK AND AXLE STANDS

GARAGE JACK

Caution

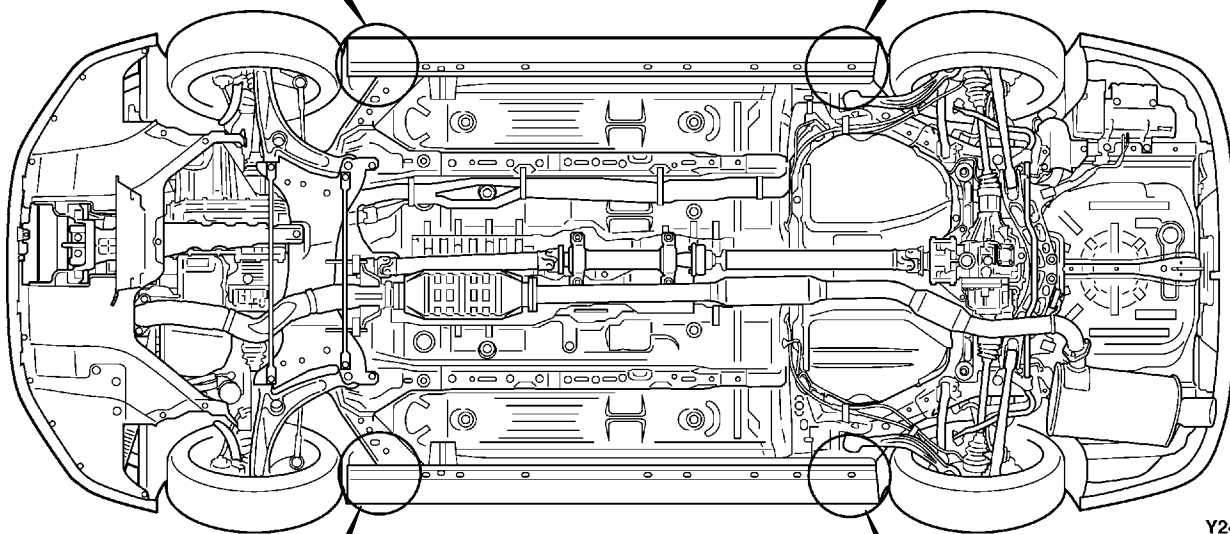
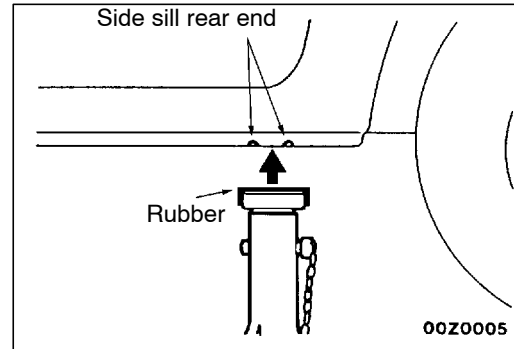
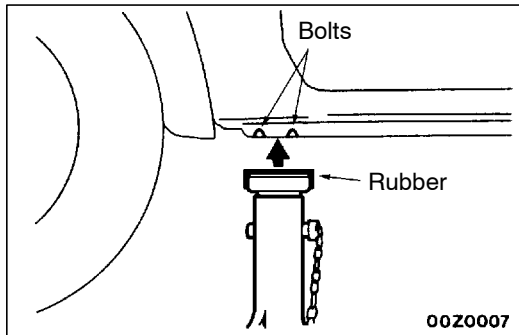
Never support any point other than the specified ones, or deformation will result.



Y2400AU

SUPPORT POSITIONS FOR AXLE STANDS AND A SINGLE-POST LIFT OR DOUBLE-POST LIFT**Caution**

1. If rubber attachments with grooves that are too thick are used at the front support positions, the front fender may become bent, so be sure to use rubber attachments with groove thicknesses of 18 mm or less.
2. If attachments which are not high enough are used, they may damage areas such as the side step. Be sure to use attachments which are high enough, or remove the side step if not using attachments.

AXLE STANDS

Y2400AU

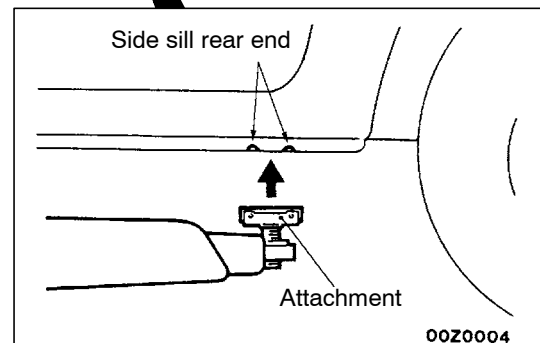
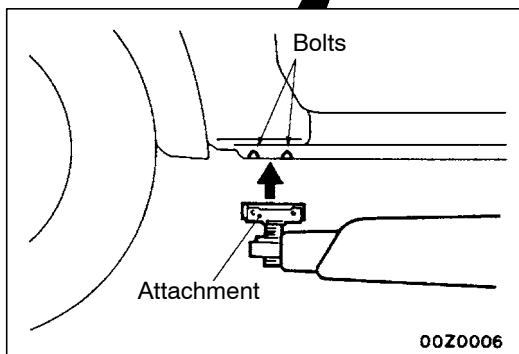
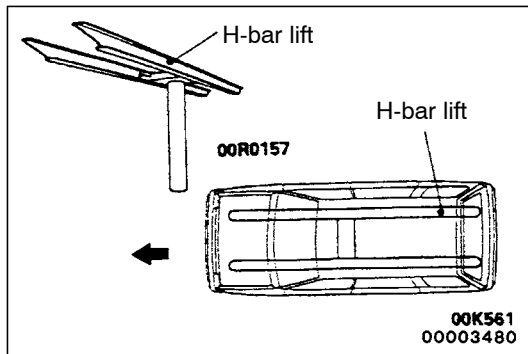
SINGLE-POST LIFT OR DOUBLE-POST LIFT

PLATE TYPE LIFT

To avoid damaging the side sill garnish, put a wooden block between the side sill and a lift.

NOTE

The wooden block should be 100 mm wide and 50 mm high.

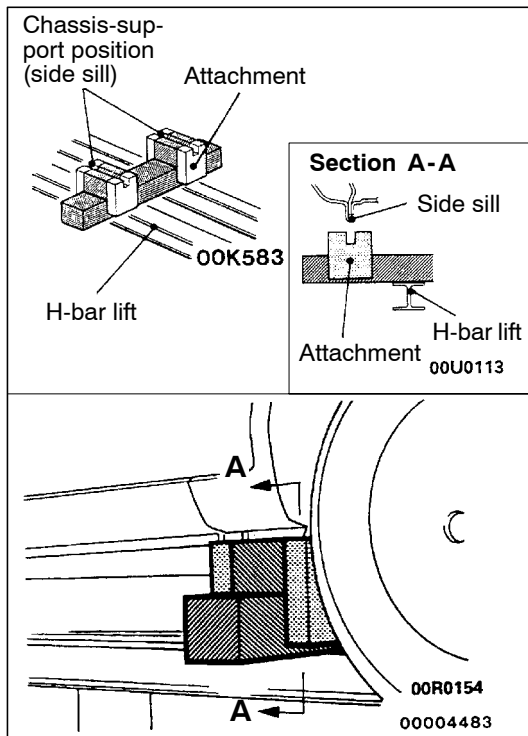


SUPPORT POSITIONS AND SUPPORT METHOD FOR AN H-BAR LIFT

Caution

When service procedures require removing the rear suspension, fuel tank, spare tyre and rear bumper, place additional weight on rear end of vehicle or anchor vehicle to hoist to prevent tipping of centre of gravity changes.

When H-bar lift is used to lift up vehicles, use of metallic attachment attached to the H-bar lift may cause damage to the suspension arm etc. Therefore, lift up the vehicle by the following procedure.

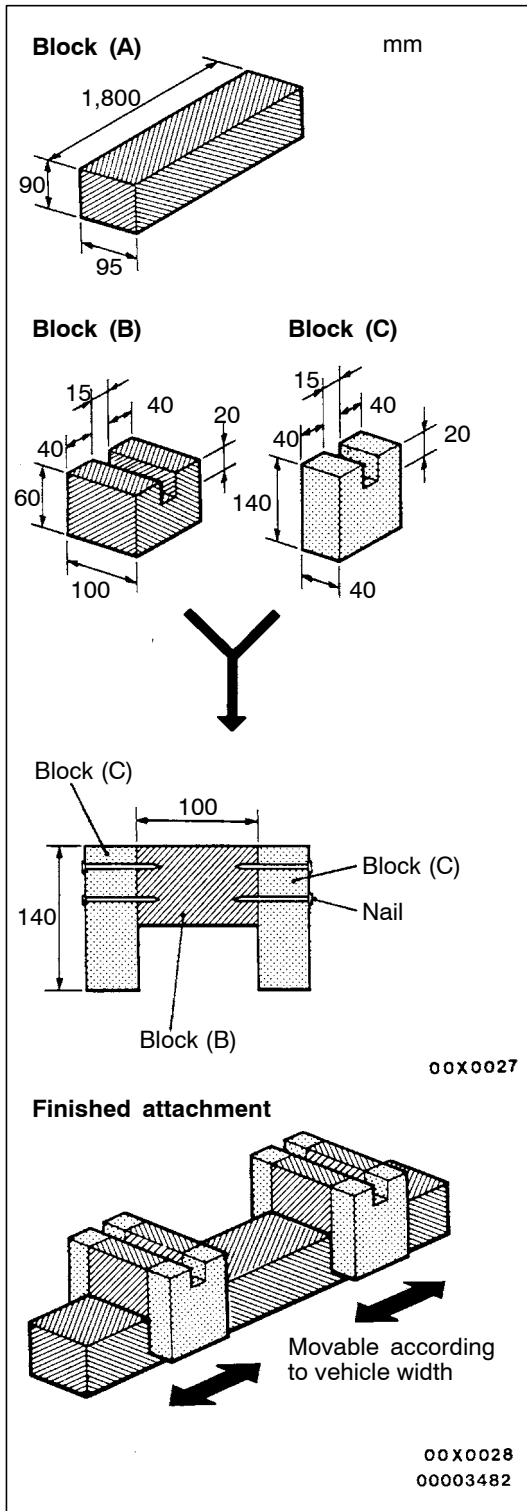


1. Place the vehicle on the H-bar lift (same direction).
2. Place attachments on the H-bar lift at the designated chassis-support positions. When making the attachments, refer to the section concerning making them.

Caution

If support is at any location other than the designated positions, the body or suspension might be deformed or otherwise damaged, so care should be taken to support only at the correct (designated) positions.

3. Raise the H-bar lift to the height at which the vehicle is slightly raised and check to be sure that the vehicle is correctly and sufficiently secured; then raise the vehicle.



PREPARATION OF "ATTACHMENTS"

1. Prepare the blocks (wooden) and nails as shown in the figure.

Item	Dimensions mm	Quantity
Block (A)	90 × 95 × 1,800	2
Block (B)	60 × 100 × 95	4
Block (C)	140 × 40 × 95	8
Nail	70 or more	32

Caution

The wood selected for the blocks must be hard.

2. For the (B) blocks and (C) blocks, use a saw and chisel or similar tool to make grooves of the dimensions shown in the figure.
3. Make four "ATTACHMENTS" such as shown in the figure nailing (B) and (C) blocks so that each (B) blocks is sandwiches between (C) blocks.