

Please route to:

	Init.
<input type="checkbox"/> Service	<input type="checkbox"/>
<input type="checkbox"/> Sales	<input type="checkbox"/>
<input type="checkbox"/> Parts	<input type="checkbox"/>



No. **2000-1**

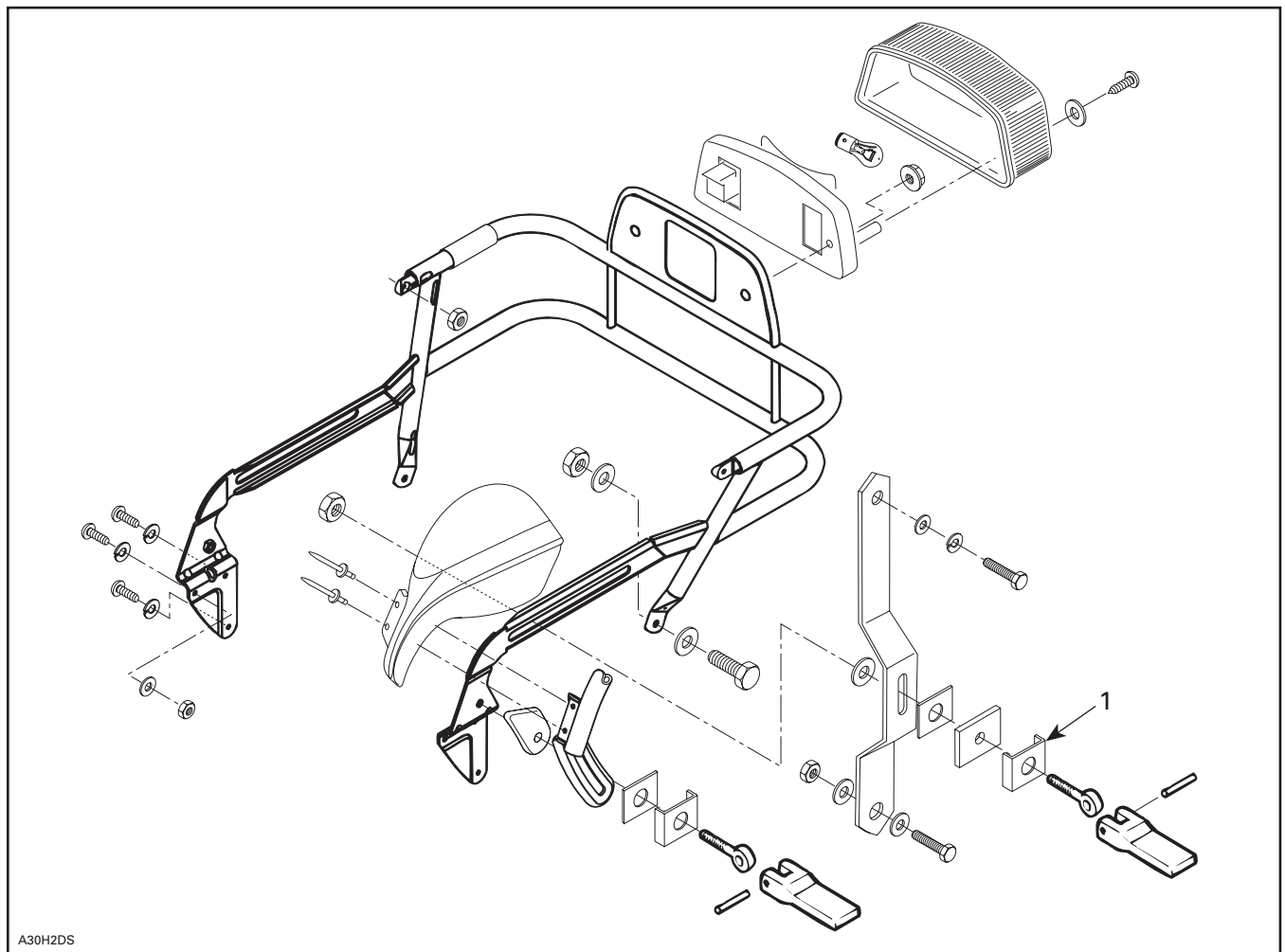
Date: September 10, 1999

**SUBJECT: Backrest Lock Lever Guides
Premature Rust**

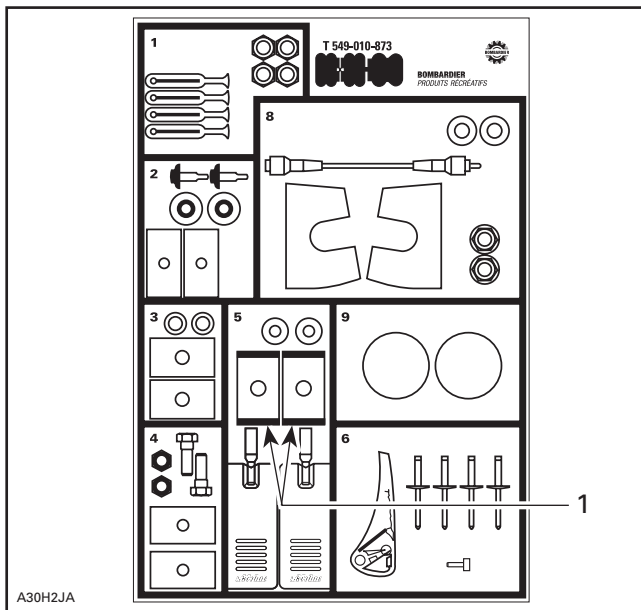
YEAR	MODEL	MODEL NUMBER	SERIAL NUMBER
2000	Grand Touring* 700/SE/Millennium	1493/1641/1648	Refer to attached listing

PROBLEM

Backrest lock lever guides will prematurely rust, not having been, beforehand, treated against rust.



1. Involved guide



1. Guides in predelivery kit

SOLUTION

Replace guides in the predelivery kit, section 5.

PARTS REQUIRED

DESCRIPTION	PART NUMBER	QUANTITY
Guide	517 257 300	2

Parts are to be ordered through regular channel.

PROCEDURE

While performing predelivery inspection procedure, simply pull out predelivery kit from the crated snowmobile and exchange faulty guides with new ones.

WARRANTY

Complete a warranty claim form using the following information.

Claim Type	03
------------	----

For claiming procedure, refer to the *Dealer Warranty Guide*.

Dealers are requested to return all replaced parts.

Canadian Dealers, return to:

Bombardier Inc.,
Warranty Parts Center,
75 J.-A. Bombardier,
Sherbrooke, QC
J1L 1W3

U.S.A. Dealers, return to:

Bombardier Motor Corporation of America,
c/o Warranty Department,
P.O. Box 8006,
7575 Bombardier Court,
Wausau, WI
54402-8006

LIST OF INVOLVED VEHICLES, MODEL 1493, GRAND TOURING SE

2BPS14936YV000006	2BPS14931YV000155	2BPS14933YV000416
2BPS14931YV000009	2BPS14939YV000159	2BPS14935YV000417
2BPS14938YV000010	2BPS14934YV000165	2BPS14937YV000418
2BPS1493XYV000011	2BPS1493XYV000185	2BPS14930YV000423
2BPS14931YV000012	2BPS14935YV000191	2BPS14932YV000424
2BPS14930YV000017	2BPS14934YV000196	2BPS14934YV000425
2BPS14934YV000019	2BPS14932YV000214	2BPS14938YV000427
2BPS14934YV000022	2BPS14936YV000216	2BPS14931YV000429
2BPS14938YV000024	2BPS14930YV000230	2BPS14931YV000432
2BPS14931YV000026	2BPS14932YV000245	2BPS14935YV000434
2BPS14937YV000029	2BPS14934YV000246	2BPS14937YV000435
2BPS14937YV000032	2BPS14936YV000247	2BPS14930YV000437
2BPS14930YV000034	2BPS14938YV000248	2BPS14932YV000438
2BPS14934YV000036	2BPS14939YV000260	2BPS14934YV000439
2BPS14936YV000040	2BPS14934YV000263	2BPS14938YV000444
2BPS14933YV000044	2BPS14937YV000287	2BPS14931YV000446
2BPS14939YV000050	2BPS14939YV000288	2BPS14933YV000450
2BPS14930YV000051	2BPS14934YV000294	2BPS14939YV000453
2BPS14936YV000054	2BPS14936YV000300	2BPS14930YV000454
2BPS14938YV000055	2BPS1493XYV000302	2BPS14936YV000457
2BPS14931YV000057	2BPS14939YV000307	2BPS14938YV000461
2BPS14937YV000063	2BPS14939YV000310	2BPS14935YV000465
2BPS14934YV000067	2BPS14930YV000311	2BPS14930YV000468
2BPS14939YV000081	2BPS14938YV000363	2BPS1493XYV000476
2BPS14934YV000084	2BPS14930YV000373	2BPS14935YV000479
2BPS14931YV000110	2BPS1493XYV000378	2BPS14935YV000482
2BPS1493XYV000123	2BPS14939YV000386	2BPS14937YV000497
2BPS14937YV000130	2BPS14932YV000388	2BPS14933YV000500
2BPS14933YV000139	2BPS14934YV000389	2BPS14932YV000505
2BPS14939YV000145	2BPS14932YV000391	
2BPS1493XYV000154	2BPS14937YV000399	

LIST OF INVOLVED VEHICLES, MODEL 1641, GRAND TOURING 700

2BPS16419YV000003	2BPS16417YV000078	2BPS16419YV000132
2BPS16410YV000004	2BPS16419YV000079	2BPS16410YV000133
2BPS16414YV000006	2BPS16415YV000080	2BPS16412YV000134
2BPS16416YV000007	2BPS16419YV000082	2BPS16414YV000135
2BPS16418YV000008	2BPS16410YV000083	2BPS16418YV000137
2BPS1641XYV000012	2BPS16412YV000084	2BPS16411YV000139
2BPS16411YV000013	2BPS16414YV000085	2BPS16418YV000140
2BPS16410YV000018	2BPS16416YV000086	2BPS1641XYV000141
2BPS16419YV000020	2BPS16418YV000087	2BPS16413YV000143
2BPS16410YV000021	2BPS1641XYV000088	2BPS16415YV000144
2BPS16416YV000024	2BPS16411YV000089	2BPS16417YV000145
2BPS16418YV000025	2BPS16418YV000090	2BPS16419YV000146
2BPS16411YV000027	2BPS1641XYV000091	2BPS16410YV000147
2BPS16415YV000032	2BPS16411YV000092	2BPS16412YV000148
2BPS16417YV000033	2BPS16415YV000094	2BPS16414YV000149
2BPS16419YV000034	2BPS16417YV000095	2BPS16410YV000150
2BPS16412YV000036	2BPS16410YV000097	2BPS16412YV000151
2BPS16418YV000039	2BPS16412YV000098	2BPS16414YV000152
2BPS16416YV000041	2BPS16414YV000099	2BPS16416YV000153
2BPS16418YV000042	2BPS16417YV000100	2BPS16418YV000154
2BPS1641XYV000043	2BPS16410YV000102	2BPS1641XYV000155
2BPS16411YV000044	2BPS16416YV000105	2BPS16411YV000156
2BPS16413YV000045	2BPS16418YV000106	2BPS16415YV000158
2BPS16417YV000047	2BPS16411YV000108	2BPS16417YV000159
2BPS16417YV000050	2BPS16413YV000109	2BPS16413YV000160
2BPS16419YV000051	2BPS1641XYV000110	2BPS16415YV000161
2BPS16410YV000052	2BPS16411YV000111	2BPS16417YV000162
2BPS16412YV000053	2BPS16413YV000112	2BPS16419YV000163
2BPS16414YV000054	2BPS16415YV000113	2BPS16410YV000164
2BPS16411YV000058	2BPS16417YV000114	2BPS16412YV000165
2BPS16413YV000059	2BPS16419YV000115	2BPS16414YV000166
2BPS16413YV000062	2BPS16410YV000116	2BPS16416YV000167
2BPS16419YV000065	2BPS16412YV000117	2BPS16418YV000168
2BPS16410YV000066	2BPS16414YV000118	2BPS16416YV000170
2BPS16414YV000068	2BPS16416YV000122	2BPS16418YV000171
2BPS16416YV000069	2BPS16418YV000123	2BPS1641XYV000172
2BPS16412YV000070	2BPS1641XYV000124	2BPS16411YV000173
2BPS16414YV000071	2BPS16411YV000125	2BPS16413YV000174
2BPS16416YV000072	2BPS16417YV000128	2BPS16417YV000176
2BPS16418YV000073	2BPS16419YV000129	2BPS16419YV000177
2BPS16411YV000075	2BPS16415YV000130	2BPS16410YV000178
2BPS16415YV000077	2BPS16417YV000131	2BPS16412YV000179

2BPS16419YV000180	2BPS16410YV000231	2BPS16412YV000361
2BPS16410YV000181	2BPS16412YV000232	2BPS16414YV000362
2BPS16412YV000182	2BPS16414YV000233	2BPS16418YV000364
2BPS16414YV000183	2BPS1641XYV000236	2BPS1641XYV000365
2BPS16416YV000184	2BPS16415YV000242	2BPS16411YV000366
2BPS16418YV000185	2BPS16417YV000243	2BPS16413YV000367
2BPS16411YV000187	2BPS16416YV000251	2BPS16415YV000368
2BPS16413YV000188	2BPS16418YV000252	2BPS16413YV000370
2BPS16415YV000189	2BPS16414YV000264	2BPS16415YV000371
2BPS16413YV000191	2BPS1641XYV000303	2BPS16417YV000372
2BPS16415YV000192	2BPS16419YV000308	2BPS16412YV000375
2BPS16417YV000193	2BPS16410YV000309	2BPS16418YV000378
2BPS16410YV000195	2BPS16414YV000314	2BPS1641XYV000379
2BPS16412YV000196	2BPS16413YV000322	2BPS16416YV000380
2BPS16414YV000197	2BPS16415YV000323	2BPS16418YV000381
2BPS16416YV000198	2BPS16419YV000325	2BPS16411YV000383
2BPS16418YV000199	2BPS16416YV000332	2BPS16413YV000384
2BPS16412YV000201	2BPS16411YV000335	2BPS16419YV000387
2BPS16416YV000203	2BPS16417YV000338	2BPS16410YV000388
2BPS16418YV000204	2BPS16415YV000340	2BPS16412YV000389
2BPS1641XYV000205	2BPS16410YV000343	2BPS16413YV000403
2BPS16411YV000206	2BPS16411YV000349	2BPS16415YV000404
2BPS16415YV000208	2BPS1641XYV000351	2BPS16417YV000405
2BPS16417YV000209	2BPS16413YV000353	2BPS16419YV000406
2BPS16415YV000211	2BPS16415YV000354	2BPS16414YV000409
2BPS16410YV000214	2BPS16417YV000355	2BPS16410YV000410
2BPS16412YV000215	2BPS16419YV000356	2BPS16412YV000411
2BPS1641XYV000219	2BPS16410YV000357	2BPS16418YV000414
2BPS16416YV000220	2BPS16414YV000359	
2BPS16415YV000225	2BPS16410YV000360	

LIST OF INVOLVED VEHICLES, MODEL 1648, GRAND TOURING SE MILLENNIUM

2BPS16488YV000006	2BPS16480YV000078	2BPS1648XYV000119
2BPS1648XYV000007	2BPS16482YV000079	2BPS16486YV000120
2BPS16481YV000008	2BPS16489YV000080	2BPS16488YV000121
2BPS16483YV000012	2BPS16480YV000081	2BPS1648XYV000122
2BPS16480YV000016	2BPS16482YV000082	2BPS16481YV000123
2BPS16482YV000017	2BPS16484YV000083	2BPS16483YV000124
2BPS16484YV000018	2BPS16486YV000084	2BPS16485YV000125
2BPS16482YV000020	2BPS16488YV000085	2BPS16487YV000126
2BPS16484YV000021	2BPS1648XYV000086	2BPS16489YV000127
2BPS16488YV000023	2BPS16481YV000087	2BPS16480YV000128
2BPS16483YV000026	2BPS16483YV000088	2BPS16482YV000129
2BPS16485YV000027	2BPS16485YV000089	2BPS16489YV000130
2BPS16489YV000029	2BPS16481YV000090	2BPS16480YV000131
2BPS16485YV000030	2BPS16483YV000091	2BPS16482YV000132
2BPS16487YV000031	2BPS16485YV000092	2BPS16484YV000133
2BPS16482YV000034	2BPS16487YV000093	2BPS16486YV000134
2BPS16488YV000037	2BPS16489YV000094	2BPS16488YV000135
2BPS1648XYV000041	2BPS16480YV000095	2BPS1648XYV000136
2BPS16485YV000044	2BPS16482YV000096	2BPS16481YV000137
2BPS16487YV000045	2BPS16484YV000097	2BPS16483YV000138
2BPS16480YV000047	2BPS16486YV000098	2BPS16485YV000139
2BPS16482YV000048	2BPS16488YV000099	2BPS16481YV000140
2BPS16484YV000052	2BPS16480YV000100	2BPS16483YV000141
2BPS16486YV000053	2BPS16482YV000101	2BPS16485YV000142
2BPS16488YV000054	2BPS16484YV000102	2BPS16487YV000143
2BPS16481YV000056	2BPS16486YV000103	2BPS16489YV000144
2BPS16485YV000058	2BPS16488YV000104	2BPS16480YV000145
2BPS16483YV000060	2BPS1648XYV000105	2BPS16482YV000146
2BPS16489YV000063	2BPS16481YV000106	2BPS16484YV000147
2BPS16480YV000064	2BPS16483YV000107	2BPS16486YV000148
2BPS16482YV000065	2BPS16485YV000108	2BPS16488YV000149
2BPS16488YV000068	2BPS16487YV000109	2BPS16484YV000150
2BPS1648XYV000069	2BPS16483YV000110	2BPS16486YV000151
2BPS16486YV000070	2BPS16485YV000111	2BPS16488YV000152
2BPS16488YV000071	2BPS16487YV000112	2BPS1648XYV000153
2BPS1648XYV000072	2BPS16489YV000113	2BPS16481YV000154
2BPS16481YV000073	2BPS16480YV000114	2BPS16483YV000155
2BPS16483YV000074	2BPS16482YV000115	2BPS16485YV000156
2BPS16485YV000075	2BPS16484YV000116	2BPS16487YV000157
2BPS16487YV000076	2BPS16486YV000117	2BPS16489YV000158
2BPS16489YV000077	2BPS16488YV000118	2BPS16480YV000159

2BPS16487YV000160	2BPS1648XYV000203	2BPS16486YV000246
2BPS16489YV000161	2BPS16481YV000204	2BPS16488YV000247
2BPS16480YV000162	2BPS16483YV000205	2BPS1648XYV000248
2BPS16482YV000163	2BPS16485YV000206	2BPS16481YV000249
2BPS16484YV000164	2BPS16487YV000207	2BPS16488YV000250
2BPS16486YV000165	2BPS16489YV000208	2BPS1648XYV000251
2BPS16488YV000166	2BPS16480YV000209	2BPS16481YV000252
2BPS1648XYV000167	2BPS16487YV000210	2BPS16483YV000253
2BPS16481YV000168	2BPS16489YV000211	2BPS16485YV000254
2BPS16483YV000169	2BPS16480YV000212	2BPS16487YV000255
2BPS1648XYV000170	2BPS16482YV000213	2BPS16489YV000256
2BPS16481YV000171	2BPS16484YV000214	2BPS16480YV000257
2BPS16483YV000172	2BPS16486YV000215	2BPS16482YV000258
2BPS16485YV000173	2BPS16488YV000216	2BPS16484YV000259
2BPS16487YV000174	2BPS1648XYV000217	2BPS16480YV000260
2BPS16489YV000175	2BPS16481YV000218	2BPS16482YV000261
2BPS16480YV000176	2BPS16483YV000219	2BPS16484YV000262
2BPS16482YV000177	2BPS1648XYV000220	2BPS16486YV000263
2BPS16484YV000178	2BPS16481YV000221	2BPS16488YV000264
2BPS16486YV000179	2BPS16483YV000222	2BPS1648XYV000265
2BPS16482YV000180	2BPS16485YV000223	2BPS16481YV000266
2BPS16484YV000181	2BPS16487YV000224	2BPS16483YV000267
2BPS16486YV000182	2BPS16489YV000225	2BPS16485YV000268
2BPS16488YV000183	2BPS16480YV000226	2BPS16487YV000269
2BPS1648XYV000184	2BPS16482YV000227	2BPS16483YV000270
2BPS16481YV000185	2BPS16484YV000228	2BPS16485YV000271
2BPS16483YV000186	2BPS16486YV000229	2BPS16487YV000272
2BPS16485YV000187	2BPS16482YV000230	2BPS16489YV000273
2BPS16487YV000188	2BPS16484YV000231	2BPS16480YV000274
2BPS16489YV000189	2BPS16486YV000232	2BPS16482YV000275
2BPS16485YV000190	2BPS16488YV000233	2BPS16484YV000276
2BPS16487YV000191	2BPS1648XYV000234	2BPS16486YV000277
2BPS16489YV000192	2BPS16481YV000235	2BPS16488YV000278
2BPS16480YV000193	2BPS16483YV000236	2BPS1648XYV000279
2BPS16482YV000194	2BPS16485YV000237	2BPS16486YV000280
2BPS16484YV000195	2BPS16487YV000238	2BPS16488YV000281
2BPS16486YV000196	2BPS16489YV000239	2BPS1648XYV000282
2BPS16488YV000197	2BPS16485YV000240	2BPS16481YV000283
2BPS1648XYV000198	2BPS16487YV000241	2BPS16483YV000284
2BPS16481YV000199	2BPS16489YV000242	2BPS16485YV000285
2BPS16484YV000200	2BPS16480YV000243	2BPS16487YV000286
2BPS16486YV000201	2BPS16482YV000244	2BPS16489YV000287
2BPS16488YV000202	2BPS16484YV000245	2BPS16480YV000288

2BPS16482YV000289	2BPS1648XYV000332	2BPS16486YV000375
2BPS16489YV000290	2BPS16481YV000333	2BPS16488YV000376
2BPS16480YV000291	2BPS16483YV000334	2BPS1648XYV000377
2BPS16482YV000292	2BPS16485YV000335	2BPS16481YV000378
2BPS16484YV000293	2BPS16487YV000336	2BPS16483YV000379
2BPS16486YV000294	2BPS16489YV000337	2BPS1648XYV000380
2BPS16488YV000295	2BPS16480YV000338	2BPS16481YV000381
2BPS1648XYV000296	2BPS16482YV000339	2BPS16483YV000382
2BPS16481YV000297	2BPS16489YV000340	2BPS16485YV000383
2BPS16483YV000298	2BPS16480YV000341	2BPS16487YV000384
2BPS16485YV000299	2BPS16482YV000342	2BPS16489YV000385
2BPS16488YV000300	2BPS16484YV000343	2BPS16480YV000386
2BPS1648XYV000301	2BPS16486YV000344	2BPS16482YV000387
2BPS16481YV000302	2BPS16488YV000345	2BPS16484YV000388
2BPS16483YV000303	2BPS1648XYV000346	2BPS16486YV000389
2BPS16485YV000304	2BPS16481YV000347	2BPS16482YV000390
2BPS16487YV000305	2BPS16483YV000348	2BPS16484YV000391
2BPS16489YV000306	2BPS16485YV000349	2BPS16486YV000392
2BPS16480YV000307	2BPS16481YV000350	2BPS16488YV000393
2BPS16482YV000308	2BPS16483YV000351	2BPS1648XYV000394
2BPS16484YV000309	2BPS16485YV000352	2BPS16481YV000395
2BPS16480YV000310	2BPS16487YV000353	2BPS16483YV000396
2BPS16482YV000311	2BPS16489YV000354	2BPS16485YV000397
2BPS16484YV000312	2BPS16480YV000355	2BPS16487YV000398
2BPS16486YV000313	2BPS16482YV000356	2BPS16489YV000399
2BPS16488YV000314	2BPS16484YV000357	2BPS16481YV000400
2BPS1648XYV000315	2BPS16486YV000358	2BPS16483YV000401
2BPS16481YV000316	2BPS16488YV000359	2BPS16485YV000402
2BPS16483YV000317	2BPS16484YV000360	2BPS16487YV000403
2BPS16485YV000318	2BPS16486YV000361	2BPS16489YV000404
2BPS16487YV000319	2BPS16488YV000362	2BPS16480YV000405
2BPS16483YV000320	2BPS1648XYV000363	2BPS16482YV000406
2BPS16485YV000321	2BPS16481YV000364	2BPS16484YV000407
2BPS16487YV000322	2BPS16483YV000365	2BPS16486YV000408
2BPS16489YV000323	2BPS16485YV000366	2BPS16488YV000409
2BPS16480YV000324	2BPS16487YV000367	2BPS16484YV000410
2BPS16482YV000325	2BPS16489YV000368	2BPS16486YV000411
2BPS16484YV000326	2BPS16480YV000369	2BPS16488YV000412
2BPS16486YV000327	2BPS16487YV000370	2BPS1648XYV000413
2BPS16488YV000328	2BPS16489YV000371	2BPS16481YV000414
2BPS1648XYV000329	2BPS16480YV000372	2BPS16483YV000415
2BPS16486YV000330	2BPS16482YV000373	2BPS16485YV000416
2BPS16488YV000331	2BPS16484YV000374	2BPS16487YV000417

2BPS16489YV000418	2BPS16487YV000451	2BPS16480YV000484
2BPS16480YV000419	2BPS16489YV000452	2BPS16482YV000485
2BPS16487YV000420	2BPS16480YV000453	2BPS16484YV000486
2BPS16489YV000421	2BPS16482YV000454	2BPS16486YV000487
2BPS16480YV000422	2BPS16484YV000455	2BPS16488YV000488
2BPS16482YV000423	2BPS16486YV000456	2BPS1648XYV000489
2BPS16484YV000424	2BPS16488YV000457	2BPS16486YV000490
2BPS16486YV000425	2BPS1648XYV000458	2BPS16488YV000491
2BPS16488YV000426	2BPS16481YV000459	2BPS1648XYV000492
2BPS1648XYV000427	2BPS16488YV000460	2BPS16481YV000493
2BPS16481YV000428	2BPS1648XYV000461	2BPS16483YV000494
2BPS16483YV000429	2BPS16481YV000462	2BPS16485YV000495
2BPS1648XYV000430	2BPS16483YV000463	2BPS16487YV000496
2BPS16481YV000431	2BPS16485YV000464	2BPS16489YV000497
2BPS16483YV000432	2BPS16487YV000465	2BPS16480YV000498
2BPS16485YV000433	2BPS16489YV000466	2BPS16482YV000499
2BPS16487YV000434	2BPS16480YV000467	2BPS16485YV000500
2BPS16489YV000435	2BPS16482YV000468	2BPS16487YV000501
2BPS16480YV000436	2BPS16484YV000469	2BPS16489YV000502
2BPS16482YV000437	2BPS16480YV000470	2BPS16480YV000503
2BPS16484YV000438	2BPS16482YV000471	2BPS16482YV000504
2BPS16486YV000439	2BPS16484YV000472	2BPS16484YV000505
2BPS16482YV000440	2BPS16486YV000473	2BPS16486YV000506
2BPS16484YV000441	2BPS16488YV000474	2BPS16488YV000507
2BPS16486YV000442	2BPS1648XYV000475	2BPS1648XYV000508
2BPS16488YV000443	2BPS16481YV000476	2BPS16481YV000509
2BPS1648XYV000444	2BPS16483YV000477	2BPS16488YV000510
2BPS16481YV000445	2BPS16485YV000478	2BPS1648XYV000511
2BPS16483YV000446	2BPS16487YV000479	2BPS16481YV000512
2BPS16485YV000447	2BPS16483YV000480	2BPS16483YV000513
2BPS16487YV000448	2BPS16485YV000481	2BPS16485YV000514
2BPS16489YV000449	2BPS16487YV000482	2BPS16487YV000515
2BPS16485YV000450	2BPS16489YV000483	

Please route to :

	Init.
<input type="checkbox"/> Service	<input type="checkbox"/>
<input type="checkbox"/> Sales	<input type="checkbox"/>
<input type="checkbox"/> Parts	<input type="checkbox"/>



Campaign no. 2000-0001

No. **2000-2**

Date: October 8, 1999

SUBJECT: Belt Guard Bracket

YEAR	MODEL	MODEL NUMBER	SERIAL NUMBER
2000	Formula Z 600	1652	see list in annex

PROBLEM

On some units, belt guard rear bracket is too brittle and may break when belt guard is installed or removed.

SOLUTION

Replace the bracket.

PARTS REQUIRED

DESCRIPTION	PART NUMBER	QTY
Belt Guard Bracket (already sent to the dealers)	518 202 100	1

PROCEDURE

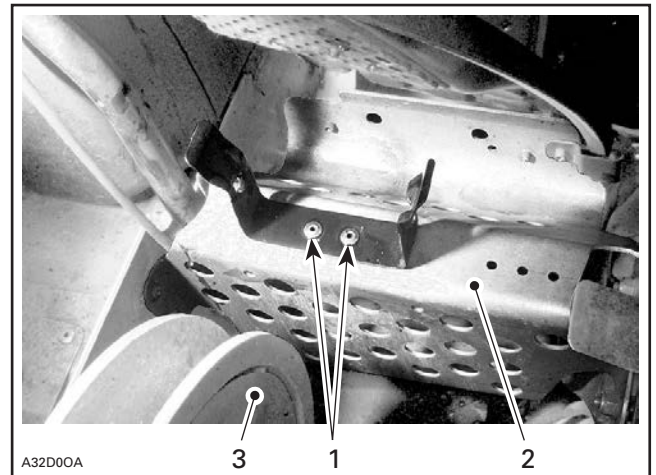
Open the hood.

Remove the belt guard.

Drill both rivets securing rear bracket.

⚠ WARNING

Always use eye protection such as safety glasses when drilling metal.



1. Rivets to be drilled
2. Footrest
3. Driven Pulley

Remove bracket and keep reinforcement plate.

Make sure surface of footrest receiving belt guard bracket is plane.

Secure new bracket and reinforcement with rivets (P/N 390 402 200).

Reinstall belt guard and close hood.

WARRANTY

Even if this job has already been performed and a claim form was sent through normal warranty procedure, **claim again through this campaign** (Safety Warranty Campaign Procedure).

NOTE: If a regular claim has been sent, Bombardier will debit the dealer's account of the credited amount.

Complete a warranty form using the following information:

Campaign Number	2000-0001
Campaign Type	07
Flat Rate Time	0.3
Expiration Date	2001/03/01

NOTE: Dealers are requested to return bracket in support of their claim.

SERIAL NUMBER LISTING OF INVOLVED VEHICLES

Model 1652

2BPS16524YV000028	2BPS1652XYV000650	2BPS16528YV000694
2BPS16529YV000056	2BPS16527YV000654	2BPS1652XYV000695
2BPS16524YV000059	2BPS16529YV000655	2BPS16521YV000696
2BPS16527YV000069	2BPS16520YV000656	2BPS16523YV000697
2BPS16529YV000106	2BPS16526YV000659	2BPS16525YV000698
2BPS16528YV000131	2BPS16524YV000661	2BPS16527YV000699
2BPS16527YV000167	2BPS16526YV000662	2BPS1652XYV000700
2BPS16528YV000176	2BPS16528YV000663	2BPS16521YV000701
2BPS16529YV000199	2BPS1652XYV000664	2BPS16523YV000702
2BPS1652XYV000213	2BPS16521YV000665	2BPS16525YV000703
2BPS16520YV000219	2BPS16523YV000666	2BPS16527YV000704
2BPS16521YV000228	2BPS16525YV000667	2BPS16529YV000705
2BPS16527YV000234	2BPS16527YV000668	2BPS16520YV000706
2BPS16527YV000251	2BPS16529YV000669	2BPS16522YV000707
2BPS16529YV000252	2BPS16525YV000670	2BPS16524YV000708
2BPS16520YV000253	2BPS16527YV000671	2BPS16526YV000709
2BPS16522YV000254	2BPS16529YV000672	2BPS16522YV000710
2BPS16524YV000255	2BPS16520YV000673	2BPS16524YV000711
2BPS1652XYV000261	2BPS16522YV000674	2BPS16526YV000712
2BPS16525YV000264	2BPS16524YV000675	2BPS16528YV000713
2BPS16529YV000266	2BPS16526YV000676	2BPS1652XYV000714
2BPS16520YV000267	2BPS16528YV000677	2BPS16521YV000715
2BPS16520YV000270	2BPS1652XYV000678	2BPS16523YV000716
2BPS16528YV000338	2BPS16521YV000679	2BPS16525YV000717
2BPS16528YV000372	2BPS16528YV000680	2BPS16527YV000718
2BPS16523YV000411	2BPS1652XYV000681	2BPS16529YV000719
2BPS16527YV000413	2BPS16521YV000682	2BPS16525YV000720
2BPS16522YV000433	2BPS16523YV000683	2BPS16527YV000721
2BPS1652XYV000454	2BPS16525YV000684	2BPS16529YV000722
2BPS1652XYV000552	2BPS16527YV000685	2BPS16520YV000723
2BPS1652XYV000602	2BPS16529YV000686	2BPS16522YV000724
2BPS16529YV000610	2BPS16520YV000687	2BPS16524YV000725
2BPS16523YV000621	2BPS16522YV000688	2BPS16526YV000726
2BPS16529YV000638	2BPS16524YV000689	2BPS16528YV000727
2BPS16520YV000639	2BPS16520YV000690	2BPS1652XYV000728
2BPS16527YV000640	2BPS16522YV000691	2BPS16521YV000729
2BPS16524YV000644	2BPS16524YV000692	
2BPS16526YV000645	2BPS16526YV000693	



Date: October 8, 1999
To: **All Authorized Ski-Doo® Dealers**
Subject: **Safety Recall - Belt Guard Bracket Brittleness
(2000 Ski-Doo Formula* Z 600)**

BOMBARDIER
RECREATIONAL PRODUCTS

Bombardier Inc.
565, de la Montagne
Valcourt, Québec, Canada J0E 2L0
Telephone 1(514) 532-2211
Fax 1(514) 532-5032
<http://www.recreation.bombardier.com>

Certified Mail

Dear Dealer:

This notice is sent to you in accordance with the requirements of applicable Federal regulations. **Bombardier Recreational Products** has determined that a safety defect, may exist in certain 2000 Ski-Doo **Formula Z 600**.

The component that may be defective in the above mentioned **Formula Z 600** is the **belt guard bracket**. On some 2000 **Formula Z 600**, rear bracket of belt guard is may break when belt guard is installed or removed.

We will be sending a Safety Recall letter, a copy of which is attached here, to all known owners of the involved 2000 Ski-Doo **Formula Z 600** asking them to contact their dealer in order to replace the **belt guard bracket**. However, it is strongly recommended that you also personally contact any owner to whom you have sold a 2000 Ski-Doo **Formula Z 600** involved in this Safety Recall.

Please read and carry out all instructions contained in the enclosed Recall Safety bulletin.

Please avoid using the involved Ski-Doo **Formula Z 600** at a high RPM and advise all customers against doing so until the necessary modification has been performed.

We regret any inconvenience this may cause but trust you understand our safety concerns.

Thank you for your immediate attention to this matter.

After-Sales Service Department

Bombardier
Recreational Products



Date: October 8, 1999

BOMBARDIER
RECREATIONAL PRODUCTS

Bombardier Inc.
565, de la Montagne
Valcourt, Québec, Canada J0E 2L0
Telephone 1(514) 532-2211
Fax 1(514) 532-5032
<http://www.recreation.bombardier.com>

SAFETY RECALL
Belt Guard Bracket Brittleness
(2000 Ski-Doo Formula Z 600)

Certified Mail

Dear Owner:

This notice is sent to you in accordance with the requirements of applicable Federal regulations. **Bombardier Recreational Products or Bombardier Motor Corporation of America (Bombardier)**, has determined that a safety defect may exist in 2000 Ski-Doo **Formula Z 600**. Our records indicate you are the owner of a 2000 Ski-Doo **Formula Z 600**.

The component of your Ski-Doo that may be defective is the belt guard bracket. On some **Formula Z 600, rear bracket of belt guard** may break when belt guard is installed or removed.

You should not operate, nor permit your Ski-Doo snowmobile to be operated, before it has been repaired by your authorized Ski-Doo dealer.

Please contact your authorized Ski-Doo dealer at your earliest convenience to have the necessary repair performed. This work will be done at no charge to you.

If you have already sold your Ski-Doo **Formula Z 600**, please forward this letter to the new owner.

We are sorry to cause you this inconvenience; however, we have taken this action in the interest of your safety and continued satisfaction with our products.

Sincerely,

After-Sales Service Department

Bombardier
Recreational Products

Please route to :

	Init.
<input type="checkbox"/> Service	<input type="checkbox"/>
<input type="checkbox"/> Sales	<input type="checkbox"/>
<input type="checkbox"/> Parts	<input type="checkbox"/>



QUALITY

SNOWMOBILES



NOTE: Repair only if described symptoms exist or are noticed.

No. **2000-3**

Date: June 30, 2000

**SUBJECT: A) Cold Start Carburation
Recalibration
B) TRA Clutch Recalibration
C) MPEM Recalibration**

YEAR	MODEL	MODEL NUMBER	SERIAL NUMBER
2000	Grand Touring* SE	1493/1648	All

IMPORTANT NOTICE: These corrective actions are to be taken ONLY IF symptoms arise and/or are reported by user.

PROBLEM

In some cases, owners of involved models may report a hard starting or even a non starting condition in cold weather jointly with a bad acceleration response under 6000 RPM.

SOLUTION

Proceed with all following recalibrations (A, B and C).

PARTS REQUIRED

NOTE: Required parts are supplied by ordering kit (P/N 590 122 000) through regular channel.

Kits will be available starting August 7, 2000; releases are going to be first in/first out. You may order now.

PROCEDURE

A) COLD START CARBURATION RECALIBRATION

Refer to the *2000 Shop Manual, Volume 2*, (P/N 484 200 013) for carburetors/DPM removal procedure. Note that choke cable needs to be unhooked from air silencer and removed together with carburetors and DPM.

Ensure fuel valve is closed on snowmobile.

WARNING

Fuel is flammable and explosive under certain conditions. Always wipe off any fuel or oil spillage from the vehicle. Ensure work area is well ventilated. Do not smoke or allow open flames or sparks in the vicinity.

Place carburetors/DPM on a work bench and proceed as per attached instruction sheet (P/N 415 127 995).

B) TRA CLUTCH RECALIBRATION

Refer to the *2000 Shop Manual, Volume 2*, (P/N 484 200 013), and perform TRA clutch ramps replacement as per given procedure, using ramps no. 8 supplied in kit (P/N 590 122 000).

NOTE: Set calibration screws at position 3.